

R10-E1Y6-V430 ✓ ACTIVE

Potter & Brumfield | Potter & Brumfield R10

TE Internal #: 6-1393766-1

Power Relays, Industrial Panel Plug-In, Monostable, DC, 1400 mW
Coil Power Rating DC, 430 Ω Coil Resistance, Sensitive Version,
Potter & Brumfield R10

[View on TE.com >](#)



Relays, Contactors & Switches > Relays > Power Relays



Power Relay Type: **Industrial Panel Plug-In**

Coil Magnetic System: **Monostable, DC**

Coil Power Rating DC: **1400 mW**

Coil Resistance: **430 Ω**

Coil Special Features: **Sensitive Version**

Features

Product Type Features

Power Relay Type	Industrial Panel Plug-In
------------------	--------------------------

Electrical Characteristics

Insulation Initial Dielectric Between Coil & Contact Class	500 – 1000 V
--	--------------

Insulation Initial Dielectric Between Contacts & Coil	1000 Vrms
---	-----------

Actuating System	DC
------------------	----

Insulation Initial Dielectric Between Open Contacts	500 Vrms
---	----------

Contact Limiting Making Current	3 A
---------------------------------	-----

Contact Limiting Short-Time Current	3 A
-------------------------------------	-----

Contact Limiting Continuous Current	3 A
-------------------------------------	-----

Coil Power Rating Class	1000 – 1500 mW
-------------------------	----------------

Insulation Initial Dielectric Between Adjacent Contacts	1000 Vrms
---	-----------

Insulation Initial Resistance	10000 M Ω
-------------------------------	------------------

Contact Limiting Breaking Current	3 A
-----------------------------------	-----

Coil Magnetic System	Monostable, DC
----------------------	----------------

Coil Power Rating DC	1400 mW
----------------------	---------

Coil Resistance	430 Ω
-----------------	--------------

Coil Special Features	Sensitive Version
-----------------------	-------------------

Coil Voltage Rating	24 VDC
---------------------	--------

Contact Switching Load (Min)	100mA @ 12V
------------------------------	-------------

Contact Voltage Rating	120 VAC
------------------------	---------

Body Features

Product Weight	40 g[1.41 oz]
----------------	---------------

Contact Features

Contact Arrangement	6 Form C (CO)
---------------------	---------------

Contact Current Class	2 – 5 A, 16 A
-----------------------	---------------

Contact Current Rating (Max)	3 A
------------------------------	-----

Contact Material	Ag
------------------	----

Contact Number of Poles	6
-------------------------	---

Relay Terminal Type	Plug-In, Solder
---------------------	-----------------

Mechanical Attachment

Relay Mounting Type	Socket
---------------------	--------

Dimensions

Length Class (Mechanical)	25 – 30 mm
---------------------------	------------

Height Class (Mechanical)	30 – 40 mm
---------------------------	------------

Width Class (Mechanical)	16 – 20 mm
--------------------------	------------

Product Width	18.7 mm[.736 in]
---------------	------------------

Product Length	29.6 mm[1.165 in]
----------------	-------------------

Product Height	30.2 mm[1.189 in]
----------------	-------------------

Usage Conditions

Environmental Ambient Temperature Class	70 – 85 °C
---	------------

Environmental Ambient Temperature (Max)	75 °C[167 °F]
---	---------------

Operating Temperature Range	-55 – 75 °C
-----------------------------	-------------

Packaging Features

Packaging Method	Package
------------------	---------

Product Compliance

[For compliance documentation, visit the product page on TE.com>](#)

EU RoHS Directive 2011/65/EU	Compliant with Exemptions
------------------------------	---------------------------

EU ELV Directive 2000/53/EC	Compliant with Exemptions
-----------------------------	---------------------------

China RoHS 2 Directive MIIT Order No 32, 2016	Restricted Materials Above Threshold
---	--------------------------------------



EU REACH Regulation (EC) No. 1907/2006

Current ECHA Candidate List: JUNE 2023
(235)

Candidate List Declared Against: JAN 2023
(233)

SVHC > Threshold:

Pb (3.7% in Component part)

Article Safe Usage Statements:

Do not eat, drink or smoke when using this product. Wash thoroughly after handling. Recycle if possible and dispose of the article by following all applicable governmental regulations relevant to your geographic location.

Halogen Content

Not Yet Reviewed for halogen content

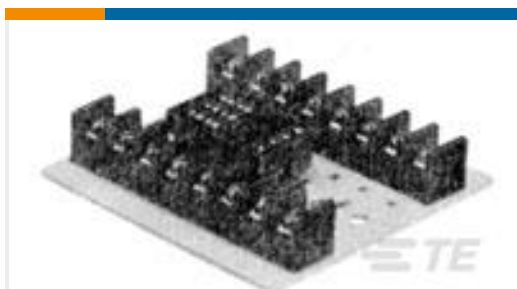
Solder Process Capability

Not applicable for solder process capability

Product Compliance Disclaimer

This information is provided based on reasonable inquiry of our suppliers and represents our current actual knowledge based on the information they provided. This information is subject to change. The part numbers that TE has identified as EU RoHS compliant have a maximum concentration of 0.1% by weight in homogenous materials for lead, hexavalent chromium, mercury, PBB, PBDE, DBP, BBP, DEHP, DIBP, and 0.01% for cadmium, or qualify for an exemption to these limits as defined in the Annexes of Directive 2011/65/EU (RoHS2). Finished electrical and electronic equipment products will be CE marked as required by Directive 2011/65/EU. Components may not be CE marked. Additionally, the part numbers that TE has identified as EU ELV compliant have a maximum concentration of 0.1% by weight in homogenous materials for lead, hexavalent chromium, and mercury, and 0.01% for cadmium, or qualify for an exemption to these limits as defined in the Annexes of Directive 2000/53/EC (ELV). Regarding the REACH Regulation, the information TE provides on SVHC in articles for this part number is based on the latest European Chemicals Agency (ECHA) 'Guidance on requirements for substances in articles' posted at this URL: <https://echa.europa.eu/guidance-documents/guidance-on-reach>

Compatible Parts



TE Part # 4-1393143-5
27E462=SOCKETS



TE Part # 1-1393143-0
27E127=SOCKET,R10,22,SLG,PHE



TE Part # 1-1393143-3
27E130=SOCKET,R10,22,PC,PHEN



TE Part # 4-1393143-9
27E630=SOCKETS

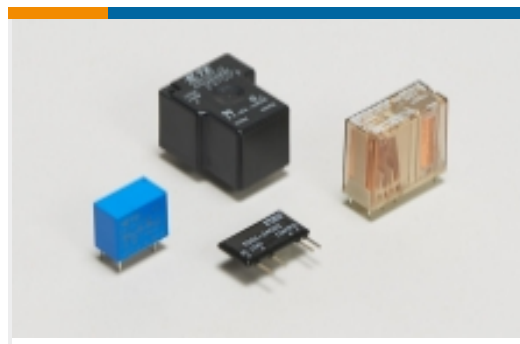


TE Part # 3-1393143-1
27E271=SOCKET,R10,22,PC,PHEN

Also in the Series | **Potter & Brumfield R10**



PCB Headers & Receptacles(1)



Power Relays(180)



Relay Accessories, Sockets & Clips(30)

Customers Also Bought



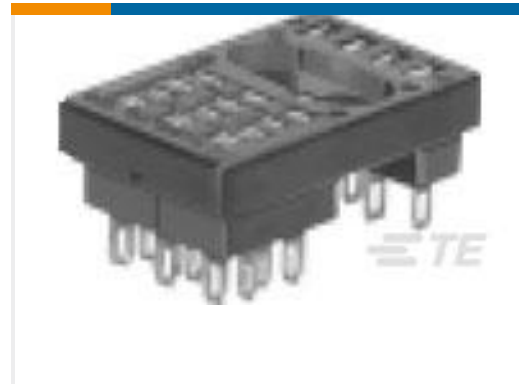
TE Part #NB-PTCO-186
Pt100, 1.2x4.0, Class B, PTFM101B1A0



TE Part #3-647000-4
04P MTA100 PSTD CONN ASSY LF



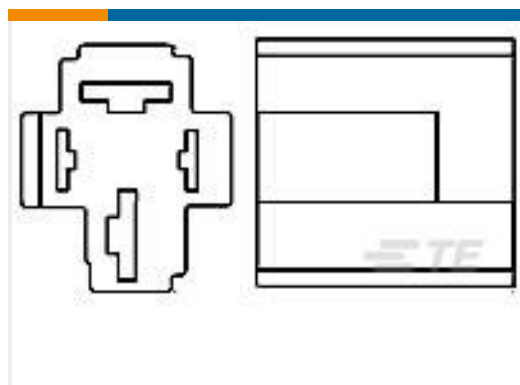
TE Part #1393143-9
27E126=SOCKET,R10,16,SLG,PHE



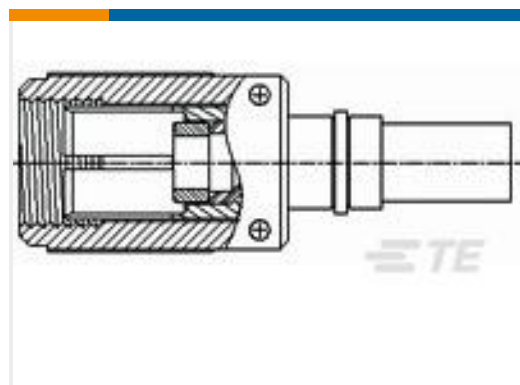
TE Part #1-1393143-3
27E130=SOCKET,R10,22,PC,PHEN



TE Part #2217480-1
KIT, BTLI, SDE OPEN HEAD



TE Part #1393310-4
VCF7-1000=FROM SEC



TE Part #601154-000
D-621-0011



TE Part #1-1393766-1
R10-E1X2-24V=R10



TE Part #EL88852001
VERSAFIT-1/8-0-STK

Documents

[CAD Files](#)

[3D PDF](#)

[3D](#)

[Customer View Model](#)

[ENG_CVM_CVM_6-1393766-1_B.2d_dxf.zip](#)

English

[Customer View Model](#)

[ENG_CVM_CVM_6-1393766-1_B.3d_igs.zip](#)



English

Customer View Model

[ENG_CVM_CVM_6-1393766-1_B.3d_stp.zip](#)

English

By downloading the CAD file I accept and agree to the [Terms and Conditions](#) of use.

Datasheets & Catalog Pages

[R10 General Purpose Dry Circuit to 7.5 Amp Multicontact AC or DC Relay](#)

English

Product Specifications

[Definitions General Purpose Relays](#)

English

Agency Approvals

[CSA Certificate](#)

English