



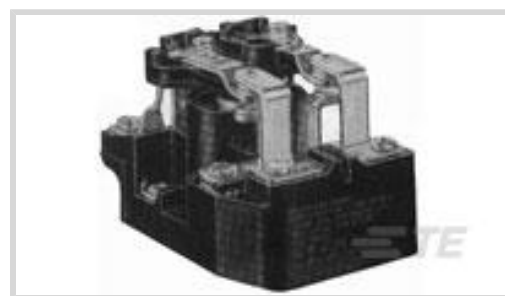
Potter & Brumfield

TE Internal #: 6-1393127-0

Definite Purpose Contactors, 2, 110 VDC Coil Voltage, 25 A, Panel, Screw Terminal, 6050 Ω Coil Resistance, 600 VAC Switching Voltage

[View on TE.com >](#)

Relays, Contactors & Switches > Contactors > Definite Purpose Contactors



Pole Configuration: **2**

Definite Purpose Contactor Coil Voltage Rating: **110 VDC**

Definite Purpose Contactor Contact Current Rating: **25 A**

Definite Purpose Contactor Mounting Type: **Panel**

Terminal Configuration: **Screw Terminal**

Features

Product Type Features

Product Category	Electromechanical Relays
Product Type	Contactor
Product Classification	Relays - Contactors
Contactor Type	Definite Purpose
Terminal Configuration	Screw Terminal

Electrical Characteristics

Actuating System	DC
Coil Voltage (Max)	110 VDC
Definite Purpose Contactor Coil Voltage Rating	110 VDC
Definite Purpose Contactor Coil Resistance	6050 Ω
Definite Purpose Contactor Contact Switching Voltage (Max)	600 VAC

Contact Features

Pole Configuration	2
Definite Purpose Contactor Contact Current Rating	25 A

Mechanical Attachment

Definite Purpose Contactor Mounting Type	Panel
--	-------

Product Compliance

[For compliance documentation, visit the product page on TE.com>](#)



EU RoHS Directive 2011/65/EU	Compliant with Exemptions
EU ELV Directive 2000/53/EC	Not Compliant
China RoHS 2 Directive MIIT Order No 32, 2016	Restricted Materials Above Threshold
EU REACH Regulation (EC) No. 1907/2006	Current ECHA Candidate List: JUNE 2023 (235) Candidate List Declared Against: JAN 2022 (223) Does not contain REACH SVHC
Halogen Content	Low Halogen - Br, Cl, F, I < 900 ppm per homogenous material. Also BFR/CFR/PVC Free
Solder Process Capability	Not applicable for solder process capability

Product Compliance Disclaimer

This information is provided based on reasonable inquiry of our suppliers and represents our current actual knowledge based on the information they provided. This information is subject to change. The part numbers that TE has identified as EU RoHS compliant have a maximum concentration of 0.1% by weight in homogenous materials for lead, hexavalent chromium, mercury, PBB, PBDE, DBP, BBP, DEHP, DIBP, and 0.01% for cadmium, or qualify for an exemption to these limits as defined in the Annexes of Directive 2011/65/EU (RoHS2). Finished electrical and electronic equipment products will be CE marked as required by Directive 2011/65/EU. Components may not be CE marked. Additionally, the part numbers that TE has identified as EU ELV compliant have a maximum concentration of 0.1% by weight in homogenous materials for lead, hexavalent chromium, and mercury, and 0.01% for cadmium, or qualify for an exemption to these limits as defined in the Annexes of Directive 2000/53/EC (ELV). Regarding the REACH Regulation, the information TE provides on SVHC in articles for this part number is based on the latest European Chemicals Agency (ECHA) 'Guidance on requirements for substances in articles' posted at this URL: <https://echa.europa.eu/guidance-documents/guidance-on-reach>

Compatible Parts

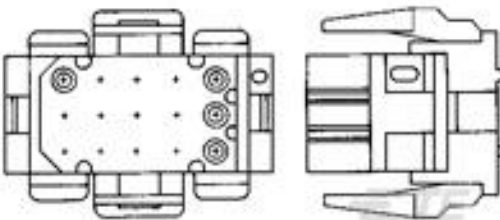


TE Part # 5-1393158-2
35D013=ENCLOSURE,PR,ASSY,W/BAS

Customers Also Bought



TE Part #7-1393117-8
KUP-14A15-120=KU-



TE Part #1-640523-0
15P MR II PLUG HSG V0



TE Part #8-1393117-7
KUP-14A35-120=KU



TE Part #9-1393117-0
KUP-14A35F-120=KU



Documents

CAD Files

3D PDF

3D

Customer View Model

[ENG_CVM_CVM_6-1393127-0_C.2d_dxf.zip](#)

English

Customer View Model

[ENG_CVM_CVM_6-1393127-0_C.3d_igs.zip](#)

English

Customer View Model

[ENG_CVM_CVM_6-1393127-0_C.3d_stp.zip](#)

English

By downloading the CAD file I accept and agree to the [Terms and Conditions](#) of use.

Datasheets & Catalog Pages

[PRD 10 to 50 Amp Heavy Duty AC or DC Power Relay](#)

English

Product Specifications

[Definitions General Purpose Relays](#)

English