

SSRC-240D5R ✓ ACTIVE

Potter & Brumfield | Potter & Brumfield SSRC

TE Internal #: 6-1393030-0

Power Relays, Solid State, 1 Form A (SPST-NO), Printed Circuit Board, Potter & Brumfield SSRC

[View on TE.com >](#)



Relays, Contactors & Switches > Relays > Power Relays > Solid State Relays, P&B SSRC Series



Power Relay Type: **Solid State**

Contact Arrangement: **1 Form A (SPST-NO)**

Relay Mounting Type: **Printed Circuit Board**

[All Solid State Relays, P&B SSRC Series \(4\)](#)

Features

Product Type Features

| | |
|------------------|-------------|
| Output Type | AC |
| Power Relay Type | Solid State |

Configuration Features

| | |
|------------------|--------|
| Output Switching | Random |
|------------------|--------|

Electrical Characteristics

| | |
|-------------------------------------------------------|---------------|
| Input Voltage Typical | 3 – 15 VDC |
| Output Voltage (Max) | 280 V |
| Output Voltage Rating (AC Relays) | 12 – 280 Vrms |
| Output Current Rating | .06 – 5 Arms |
| Output Voltage Rating (DC Relays) | 12 – 280 VDC |
| Output Current (Min) | .06 A |
| Insulation Initial Dielectric Between Contacts & Coil | 4000 Vrms |

Body Features

| | |
|----------------|-------------|
| Product Weight | 11 g[.4 oz] |
|----------------|-------------|



| | |
|------------|-------|
| Case Color | Black |
|------------|-------|

Contact Features

| | |
|---------------------|--------------------|
| Switch Arrangement | 1 Form A (SPST-NO) |
| Contact Arrangement | 1 Form A (SPST-NO) |

Termination Features

| | |
|------------------------|---------------------------|
| Relay Termination Type | Printed Circuit Terminals |
|------------------------|---------------------------|

Mechanical Attachment

| | |
|---------------------|-----------------------|
| Coupling | Optical |
| Relay Mounting Type | Printed Circuit Board |

Housing Features

| | |
|---------------------|-----|
| Relay Housing Style | SIP |
|---------------------|-----|

Dimensions

| | |
|--------------------------------------|---------------------------------------|
| Dimensions (L x W x H) (Approximate) | 43.1 x 7.6 x 25.4 mm[1.7 x .3 x 1 in] |
|--------------------------------------|---------------------------------------|

Usage Conditions

| | |
|-----------------------------|-------------|
| Operating Temperature Range | -30 – 80 °C |
|-----------------------------|-------------|

Operation/Application

| | |
|---------------------------|-----|
| R-Switch & slimSSR Relays | Yes |
|---------------------------|-----|

Product Compliance

[For compliance documentation, visit the product page on TE.com>](#)

| | |
|-----------------------------------------------|---------------------------------------------------------------------------------------------------------------------------------|
| EU RoHS Directive 2011/65/EU | Compliant with Exemptions |
| EU ELV Directive 2000/53/EC | Not Yet Reviewed |
| China RoHS 2 Directive MIIT Order No 32, 2016 | Restricted Materials Above Threshold |
| EU REACH Regulation (EC) No. 1907/2006 | Current ECHA Candidate List: JUNE 2023 (235) Candidate List Declared Against: JUNE 2022 (224) Does not contain REACH SVHC |
| Halogen Content | Low Halogen - Br, Cl, F, I < 900 ppm per homogenous material. Also BFR/CFR/PVC Free |
| Solder Process Capability | Wave solder capable to 260°C |

Product Compliance Disclaimer



This information is provided based on reasonable inquiry of our suppliers and represents our current actual knowledge based on the information they provided. This information is subject to change. The part numbers that TE has identified as EU RoHS compliant have a maximum concentration of 0.1% by weight in homogenous materials for lead, hexavalent chromium, mercury, PBB, PBDE, DBP, BBP, DEHP, DIBP, and 0.01% for cadmium, or qualify for an exemption to these limits as defined in the Annexes of Directive 2011/65/EU (RoHS2). Finished electrical and electronic equipment products will be CE marked as required by Directive 2011/65/EU. Components may not be CE marked. Additionally, the part numbers that TE has identified as EU ELV compliant have a maximum concentration of 0.1% by weight in homogenous materials for lead, hexavalent chromium, and mercury, and 0.01% for cadmium, or qualify for an exemption to these limits as defined in the Annexes of Directive 2000/53/EC (ELV). Regarding the REACH Regulation, the information TE provides on SVHC in articles for this part number is based on the latest European Chemicals Agency (ECHA) 'Guidance on requirements for substances in articles' posted at this URL: <https://echa.europa.eu/guidance-documents/guidance-on-reach>

Compatible Parts

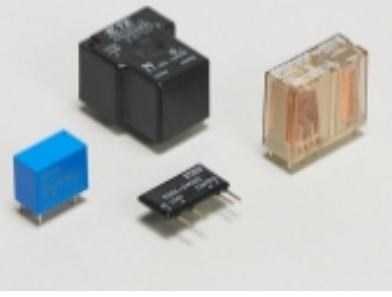


TE Part # 5-1393030-8
SSRC-240D5 = SIP MODULE,5A,240V AC



TE Part # 6-1393030-4
SSRF-240D25R=SIP MDLE,25A, 240VAC,R-INT H

Also in the Series | Potter & Brumfield SSRC

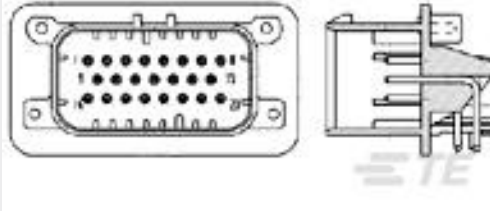


Power Relays(4)

Customers Also Bought



TE Part #2428-008-2405
BKSHL, 24SZ, BLK, ST, NW 25.4, L017, HDP



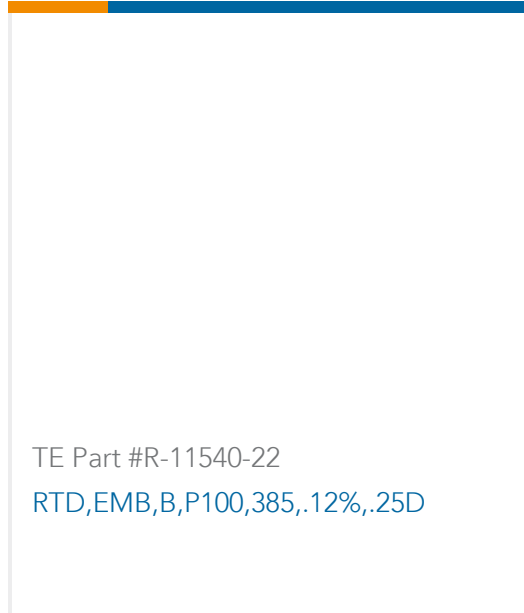
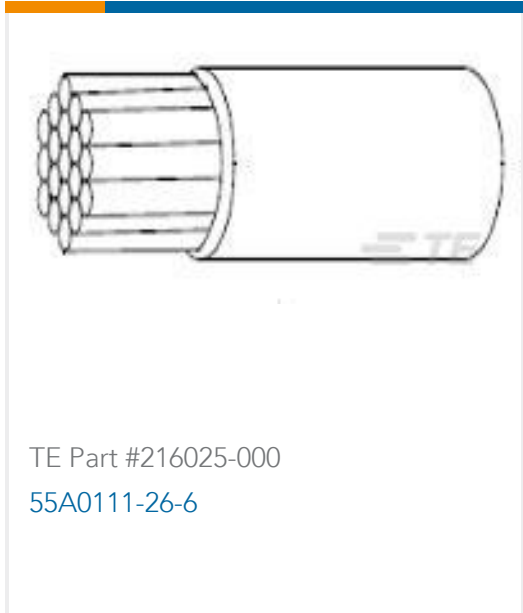
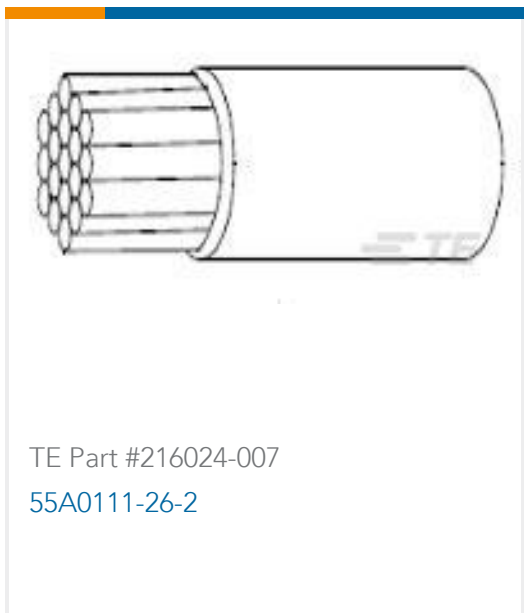
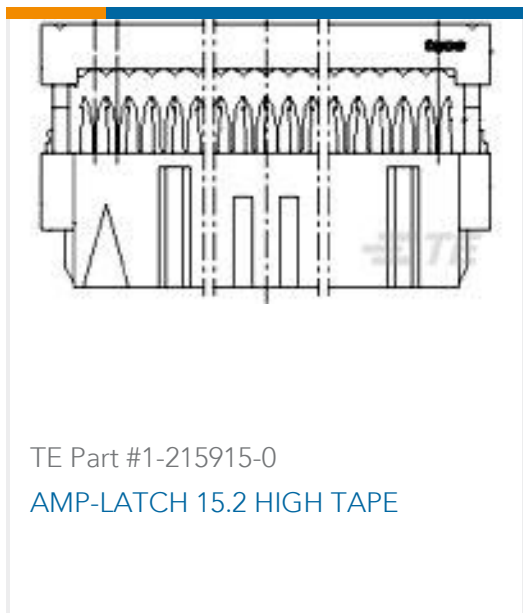
TE Part #1-776280-2
8POS,PIN DIA 1.3,HDR ASSY,90DEG, COD 2



TE Part #2-1445100-3
MICRO MNL HDR ASSY S/ROW LF



TE Part #1-100103-0
10P.A/L STRAIN REL.



Documents

CAD Files

Customer View Model

[ENG_CVM_CVM_6-1393030-0_A1.3d_igs.zip](#)

English

Customer View Model

[ENG_CVM_CVM_6-1393030-0_A1.3d_stp.zip](#)

English

Customer View Model

[ENG_CVM_CVM_6-1393030-0_A1.2d_dxf.zip](#)

English

3D PDF

3D

By downloading the CAD file I accept and agree to the [Terms and Conditions](#) of use.

Datasheets & Catalog Pages

[Solid State Relay SSRC Series Data Sheet](#)

English

[SSRC_Datasheet](#)

English

Product Environmental Compliance

[TE Material Declaration](#)

English

Agency Approvals

[UL](#)

English

