

6-100525-9 ✓ ACTIVE

Z-PACK | Z-PACK 2mm HM

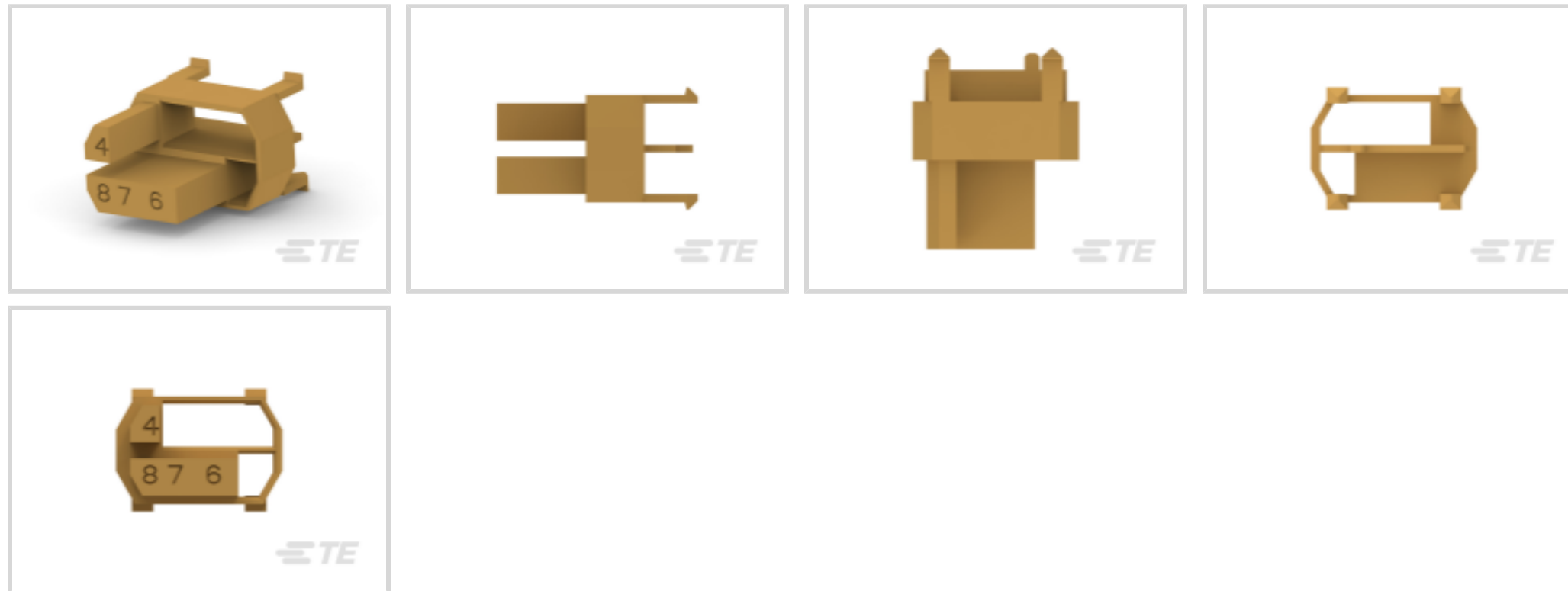
TE Internal #: 6-100525-9

Backplane Coding Keys, Plug, Coding Key Number 4678, Z-PACK
2mm HM

[View on TE.com >](#)



Connectors > PCB Connectors > Backplane Connectors > Backplane Coding Keys



Compatible With Connector Style: **Plug**

Coding Key Number: **4678**

Features

Body Features

| | |
|------------------|--------------|
| Coding Key Color | Ocher Yellow |
|------------------|--------------|

Usage Conditions

| | |
|--|--------------------------------|
| Compatible With Backplane Connector Type | Type A, Type D, Type L, Type M |
| Compatible With Connector Style | Plug |

Packaging Features

| | |
|--------------------|-----|
| Packaging Quantity | 500 |
| Packaging Method | Bag |

Other

| | |
|-------------------|------|
| Coding Key Number | 4678 |
|-------------------|------|

Product Compliance

[For compliance documentation, visit the product page on TE.com>](#)

| | |
|---|---|
| EU RoHS Directive 2011/65/EU | Compliant |
| EU ELV Directive 2000/53/EC | Compliant |
| China RoHS 2 Directive MIIT Order No 32, 2016 | No Restricted Materials Above Threshold |
| EU REACH Regulation (EC) No. 1907/2006 | Current ECHA Candidate List: JUNE 2023 (235) |



Candidate List Declared Against: JAN 2021 (211)

Does not contain REACH SVHC

Halogen Content

Low Halogen - Br, Cl, F, I < 900 ppm per homogenous material. Also BFR/CFR/PVC Free

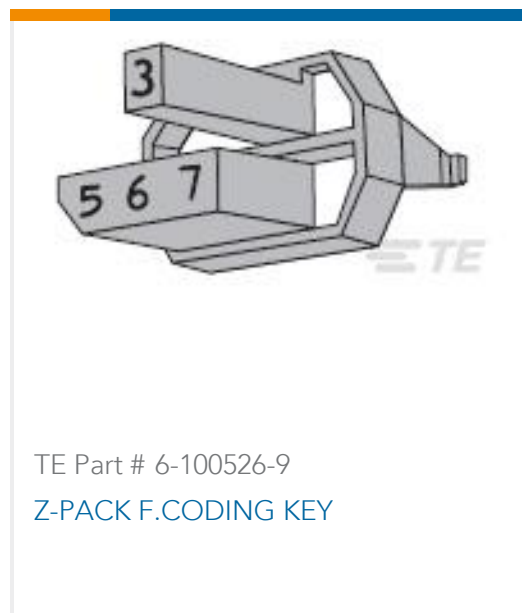
Solder Process Capability

Not applicable for solder process capability

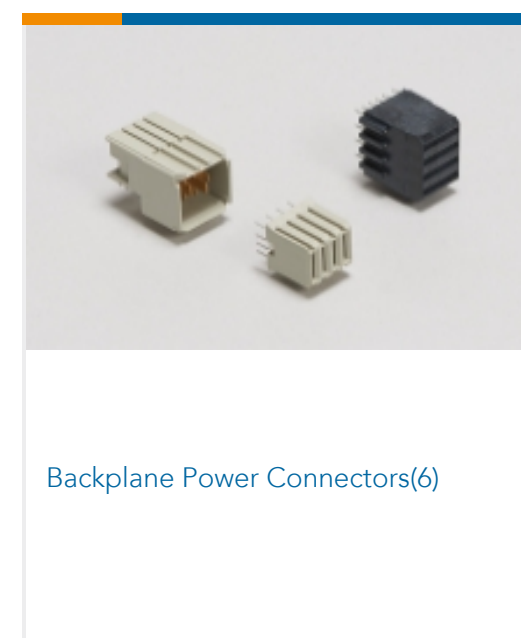
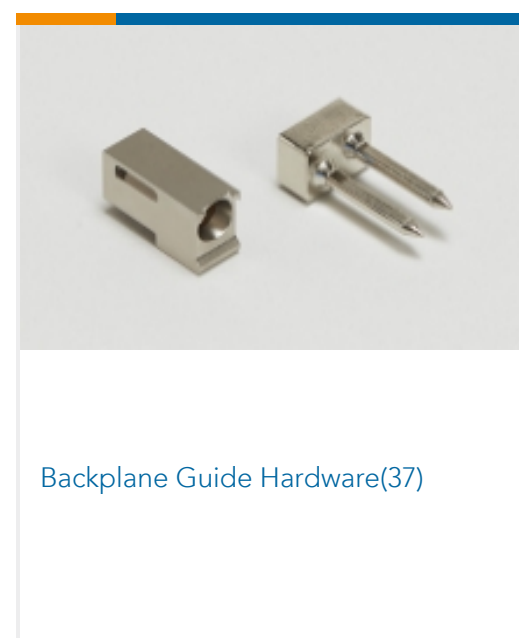
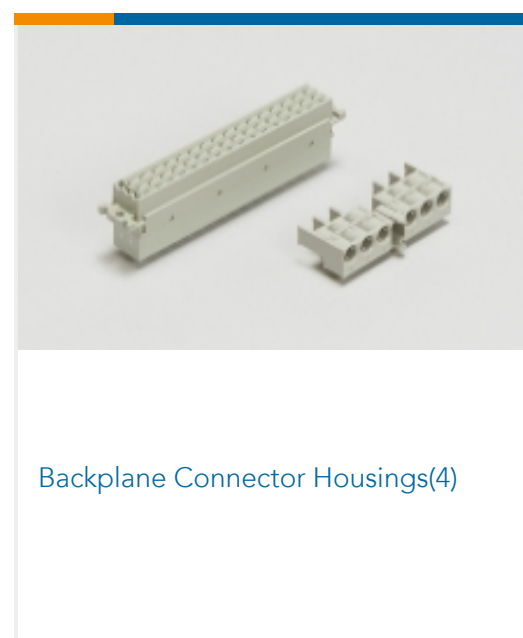
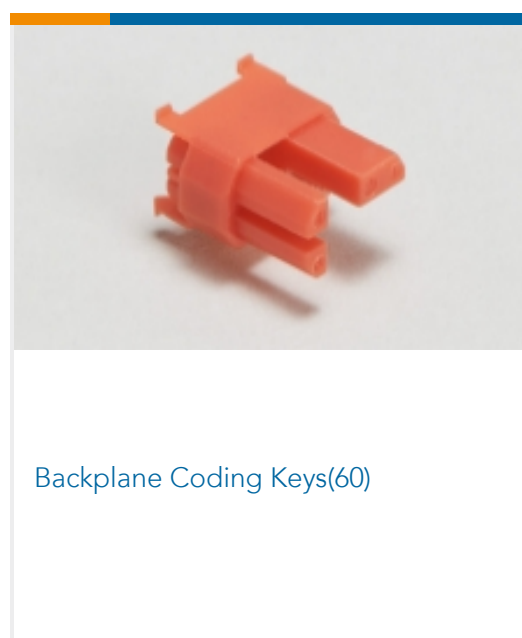
Product Compliance Disclaimer

This information is provided based on reasonable inquiry of our suppliers and represents our current actual knowledge based on the information they provided. This information is subject to change. The part numbers that TE has identified as EU RoHS compliant have a maximum concentration of 0.1% by weight in homogenous materials for lead, hexavalent chromium, mercury, PBB, PBDE, DBP, BBP, DEHP, DIBP, and 0.01% for cadmium, or qualify for an exemption to these limits as defined in the Annexes of Directive 2011/65/EU (RoHS2). Finished electrical and electronic equipment products will be CE marked as required by Directive 2011/65/EU. Components may not be CE marked. Additionally, the part numbers that TE has identified as EU ELV compliant have a maximum concentration of 0.1% by weight in homogenous materials for lead, hexavalent chromium, and mercury, and 0.01% for cadmium, or qualify for an exemption to these limits as defined in the Annexes of Directive 2000/53/EC (ELV). Regarding the REACH Regulation, the information TE provides on SVHC in articles for this part number is based on the latest European Chemicals Agency (ECHA) 'Guidance on requirements for substances in articles' posted at this URL: <https://echa.europa.eu/guidance-documents/guidance-on-reach>

Compatible Parts

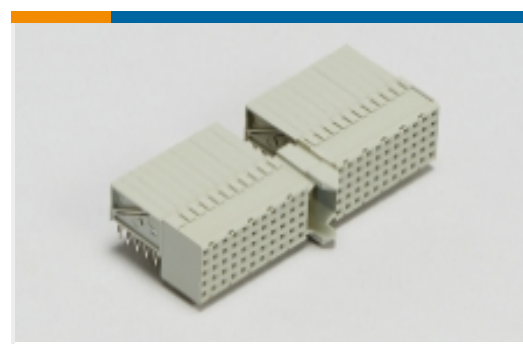


Also in the Series | Z-PACK 2mm HM

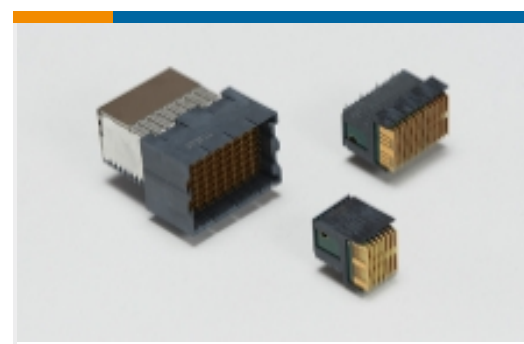




Board-to-Board Connector Contacts(2)



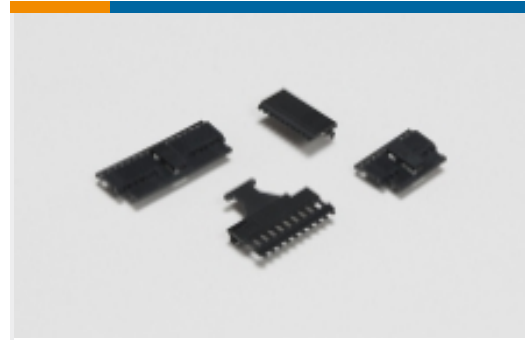
Hard Metric Backplane Connectors (269)



High Speed Backplane Connectors(1)



Insertion & Extraction Tools(2)



PCB Connector Covers(4)



PCB Connector Shrouds(39)

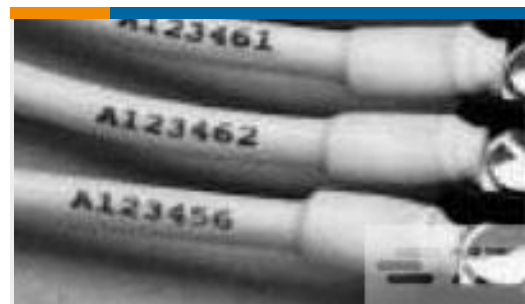


PCB Ferrules & Shields(19)

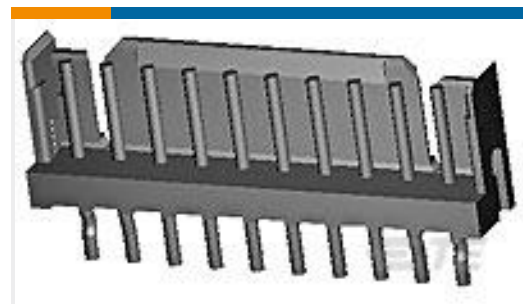


Rectangular Power Connectors(87)

Customers Also Bought



TE Part #5052992082
RNF-100-1/8-0-STK



TE Part #292161-3
CT P/HDR ASSY V 3P W/KINK NAT



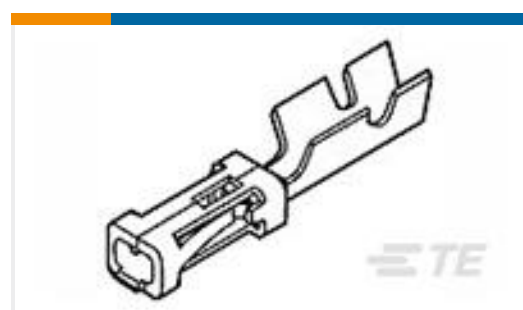
TE Part #1-1478903-0
SMA STR PLG DS RG402 GSS



TE Part #1218440-4
AMPLIMITE,ASY,PLUG,RT ANG,109,4



TE Part #1757830-4
AMPLIMITE,RCPT ASY,POSTD,109,ZN,4



TE Part #87667-5
MOD IV RECP LP



TE Part #534179-7
MINI BOX RECP ASSY 192 POS



TE Part #2178126-2
Jack, CLOUDSPLITTER SMT SHIELDED

Documents

[Product Drawings](#)
[Z-PACK M.CODING KEY](#)

English

CAD Files

[3D PDF](#)

[3D](#)

[Customer View Model](#)

[ENG_CVM_CVM_6-100525-9_C.2d_dxf.zip](#)



English

Customer View Model

[ENG_CVM_CVM_6-100525-9_C.3d_igs.zip](#)

English

Customer View Model

[ENG_CVM_CVM_6-100525-9_C.3d_stp.zip](#)

English

By downloading the CAD file I accept and agree to the [Terms and Conditions](#) of use.

Product Specifications

[Application Specification](#)

English