

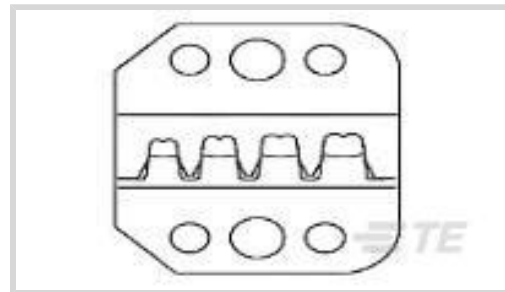


AMP

TE Internal #: 58628-2
 Hand Crimping Tools, Commercial Crimp Tooling, Removable /Interchangeable, TE Product Specification (114-) / UL/CSA, Electric / Manual / Battery

[View on TE.com >](#)

Application Tooling > Hand Crimping Tools



Tool Grade: **Commercial Crimp Tooling**
 Die Sets Type: **Removable/Interchangeable**
 Specification Type: **TE Product Specification (114-), UL/CSA**
 TE Certification: **Upon Request for Fee**
 Power Technology Type: **Battery, Electric, Manual**

Features

Other

Crimp Form-Wire Barrel Type	Closed Barrel - Confined Crescent
Tool Grade	Commercial Crimp Tooling
Die Sets Type	Removable/Interchangeable
Specification Type	TE Product Specification (114-), UL/CSA
TE Certification	Upon Request for Fee
Power Technology Type	Battery, Electric, Manual
Tooling Type	Standard Die Envelope (SDE) Die Set

Product Compliance

[For compliance documentation, visit the product page on TE.com>](#)

EU RoHS Directive 2011/65/EU	Out of Scope
EU ELV Directive 2000/53/EC	Out of Scope
China RoHS 2 Directive MIIT Order No 32, 2016	Not reviewed for China RoHS compliance
EU REACH Regulation (EC) No. 1907/2006	Current ECHA Candidate List: JUNE 2023 (235) Candidate List Declared Against: JUNE 2023 (235) Does not contain REACH SVHC
Halogen Content	Low Halogen - Br, Cl, F, I < 900 ppm per homogenous material. Also BFR/CFR/PVC Free

Solder Process Capability

Not applicable for solder process capability

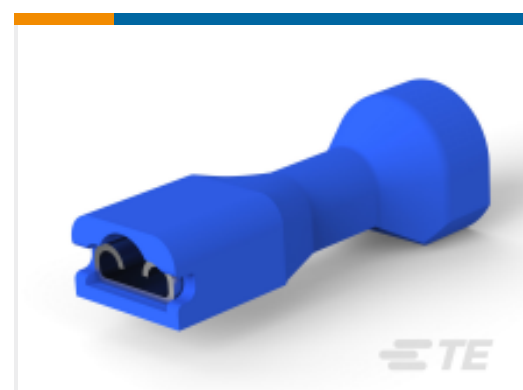
Product Compliance Disclaimer

This information is provided based on reasonable inquiry of our suppliers and represents our current actual knowledge based on the information they provided. This information is subject to change. The part numbers that TE has identified as EU RoHS compliant have a maximum concentration of 0.1% by weight in homogenous materials for lead, hexavalent chromium, mercury, PBB, PBDE, DBP, BBP, DEHP, DIBP, and 0.01% for cadmium, or qualify for an exemption to these limits as defined in the Annexes of Directive 2011/65/EU (RoHS2). Finished electrical and electronic equipment products will be CE marked as required by Directive 2011/65/EU. Components may not be CE marked. Additionally, the part numbers that TE has identified as EU ELV compliant have a maximum concentration of 0.1% by weight in homogenous materials for lead, hexavalent chromium, and mercury, and 0.01% for cadmium, or qualify for an exemption to these limits as defined in the Annexes of Directive 2000/53/EC (ELV). Regarding the REACH Regulation, the information TE provides on SVHC in articles for this part number is based on the latest European Chemicals Agency (ECHA) 'Guidance on requirements for substances in articles' posted at this URL: <https://echa.europa.eu/guidance-documents/guidance-on-reach>

Compatible Parts



TE Part # 354940-1
PRO-CRIMPER III FRAME W/O DIES



TE Part # 3-520151-2
ULTRAFast 187 ASSY REC 16-14
TPBR LP



TE Part # 2-520084-2
ULTRAFast 110 ASSY REC 22-18
TPBR LP



TE Part # 2-520081-2
ULTRAFast 110 ASSY REC 22-18
TPBR LP



TE Part # 3-350816-2
ULTRAFast 187 ASSY REC 16-14
TPBR LP



TE Part # 2-520273-2
ULTRAFast 110 ASSY REC 22-18
TPBR LP



TE Part # 2-520182-2
ULTRAFast 187 ASSY REC 22-18
TPBR LP



TE Part # 2-520184-4
ULTRAFast 250 ASSY REC 22-18
TPBR LP



TE Part # 2-520103-2
ULTRA-FAST 250 ASSEMBLY TAB 22-18
AWG BR



TE Part # 2-521103-2
ULTRA-FAST 187 ASY REC 22-18 TPBR



TE Part # 2-521105-2
ULTRA-FAST 187 ASY REC 22-18 TPBR



TE Part # 3-520117-2
ULTRAFast 250 ASSY REC 16-14
TPBR LP




TE Part # 3-520125-2
 ULTRAFAST 187 ASSY REC 16-14
 TPBR LP



TE Part # 3-520370-2
 ULTRA-FAST 110/125 ASY REC 16-
 14AWG TPBR



TE Part # 2-520184-2
 ULTRAFAST 250 ASSY REC 22-18
 TPBR LP



TE Part # 3-520107-2
 ULTRA-FAST 250 ASY TAB 16-14 AWG
 TPBR



TE Part # 2-520194-2
 ULTRAFAST 187 ASSY REC 22-18
 TPBR LP



TE Part # 2-520264-2
 ULTRAFAST 250 ASSY REC 22-18
 TPBR LP



TE Part # 2-520262-2
 ULTRAFAST 187 ASSY REC 22-18
 TPBR LP



TE Part # 3-350820-2
 ULTRAFAST 250 ASSY REC 16-14
 TPBR LP

Customers Also Bought



TE Part #6609059-2
 3EZ1=F7328 S0



TE Part #354940-1
 PRO-CRIMPER III FRAME W/O DIES



TE Part #2-1437667-6
 4DB-P108-04=4DB ASSEMBLY



TE Part #2058299-1
 WTB HOUSING, 2 POS, NATURAL



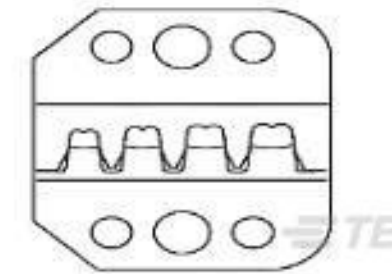
TE Part #3-1437664-8
 NC6-P108-06=NC6 ASSEMBLY



TE Part #4-1437664-1
 NC6-P108-08=NC6 ASSEMBLY



TE Part #3-641435-9
 09P MTA156 CONN ASSY ORNG



TE Part #58524-2
 PROCRIMPER DIE



TE Part #2828405-1
 ASSY SKT MODULE, 16-02 PCB
 STRAIGHT, STD



TE Part #GA20K3A5
 DISC - - BTC

Documents



Datasheets & Catalog Pages

[1-1773865-2_1015_Commercial Manual Hand Tools](#)

English

Bottoming Dies

English

Instruction Sheets

[Instruction Sheet \(U.S.\)](#)

English