

58614-2 ✓ ACTIVE

AMP

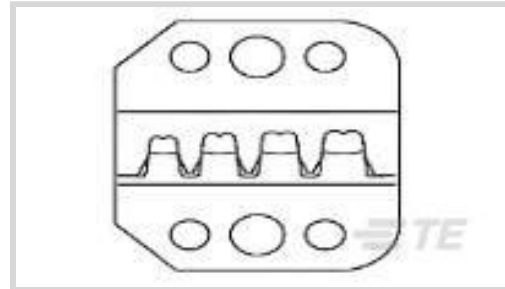
TE Internal #: 58614-2

Hand Crimping Tools, Commercial Crimp Tooling, Operator Releasable & Adjustable, Removable/Interchangeable, TE Product Specification (114-)

[View on TE.com >](#)



Application Tooling > Hand Crimping Tools



Tool Grade: **Commercial Crimp Tooling**

Ratchet Configuration: **Operator Releasable & Adjustable**

Die Sets Type: **Removable/Interchangeable**

Specification Type: **TE Product Specification (114-)**

TE Certification: **Upon Request for Fee**

### Features

#### Other

Crimp Form-Wire Barrel Type	Open Barrel - F Crimp
Tool Grade	Commercial Crimp Tooling
Ratchet Configuration	Operator Releasable & Adjustable
Die Sets Type	Removable/Interchangeable
Specification Type	TE Product Specification (114-)
TE Certification	Upon Request for Fee
Power Technology Type	Battery, Electric, Manual
Tooling Type	Standard Die Envelope (SDE) Die Set

### Product Compliance

[For compliance documentation, visit the product page on TE.com>](#)

EU RoHS Directive 2011/65/EU	Out of Scope
EU ELV Directive 2000/53/EC	Out of Scope
China RoHS 2 Directive MIIT Order No 32, 2016	Not reviewed for China RoHS compliance
EU REACH Regulation (EC) No. 1907/2006	Current ECHA Candidate List: JUNE 2023 (235) Candidate List Declared Against: JAN 2021 (211) Does not contain REACH SVHC
Halogen Content	Not Yet Reviewed for halogen content



Solder Process Capability

Not applicable for solder process capability

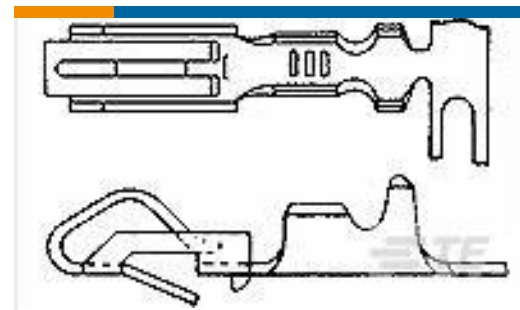
Product Compliance Disclaimer

This information is provided based on reasonable inquiry of our suppliers and represents our current actual knowledge based on the information they provided. This information is subject to change. The part numbers that TE has identified as EU RoHS compliant have a maximum concentration of 0.1% by weight in homogenous materials for lead, hexavalent chromium, mercury, PBB, PBDE, DBP, BBP, DEHP, DIBP, and 0.01% for cadmium, or qualify for an exemption to these limits as defined in the Annexes of Directive 2011/65/EU (RoHS2). Finished electrical and electronic equipment products will be CE marked as required by Directive 2011/65/EU. Components may not be CE marked. Additionally, the part numbers that TE has identified as EU ELV compliant have a maximum concentration of 0.1% by weight in homogenous materials for lead, hexavalent chromium, and mercury, and 0.01% for cadmium, or qualify for an exemption to these limits as defined in the Annexes of Directive 2000/53/EC (ELV). Regarding the REACH Regulation, the information TE provides on SVHC in articles for this part number is based on the latest European Chemicals Agency (ECHA) 'Guidance on requirements for substances in articles' posted at this URL: <https://echa.europa.eu/guidance-documents/guidance-on-reach>

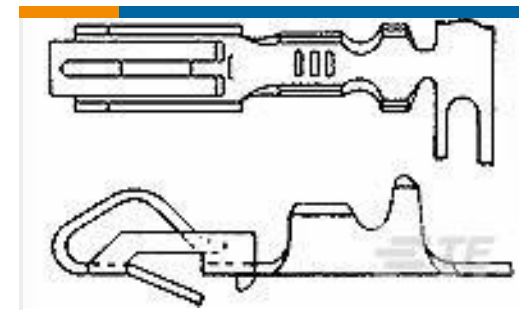
### Compatible Parts



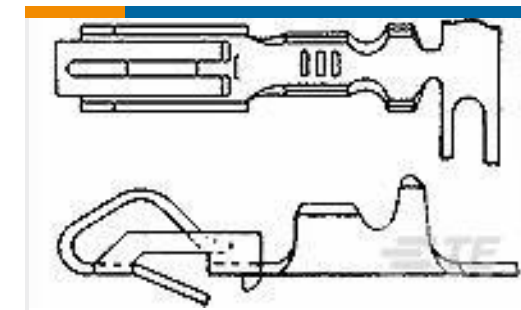
TE Part # CAT-103156-WTBCC  
Wire-to-Board Connector Contacts:  
socket, wire size 30-16 AWG, SL 156



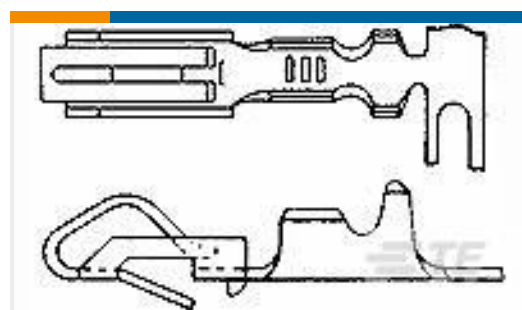
TE Part # 3-61668-1  
BIF-LEAF CONT CR/SNAP SN/BR



TE Part # 61668-2  
BIF-LEAF CONT CR/SNAP PTPPHBZ



TE Part # 61668-4  
BIF-LEAF CONT CR/SNAP AUPHBZ



TE Part # 61668-1  
BIF-LEAF CONT CR/SNAP SNPB/BR



TE Part # CAT-M8793-T273  
MOS, RECEPTACLE AND TAB

### Customers Also Bought



TE Part #2-6609028-3  
40VK6=F7864 S0



TE Part #1-6609130-3  
5EHM1S=F8115



TE Part #354940-1  
PRO-CRIMPER III FRAME W/O DIES



TE Part #59275  
T-HEAD PIDG PG SH 26-20 ASSY



TE Part #2301997-5  
RJ45 JACK INT.MAG. 10/100 LED 2X1



TE Part #6009112002  
DWP-125-3/16-0-STK



TE Part #42095-1  
250 FASTON TAB TPBR



TE Part #654174-2  
HT POS.-LOCK MODEL A



TE Part #11300150-00  
TVK, VIPER SURFACE PROBE (-FE)

## Documents

### Datasheets & Catalog Pages

[1-1773865-2\\_1015\\_Commercial Manual Hand Tools](#)

English

### Bottoming Dies

English

### Instruction Sheets

[Instruction Sheet \(U.S.\)](#)

English