

58443-1 ✓ ACTIVE

AMP

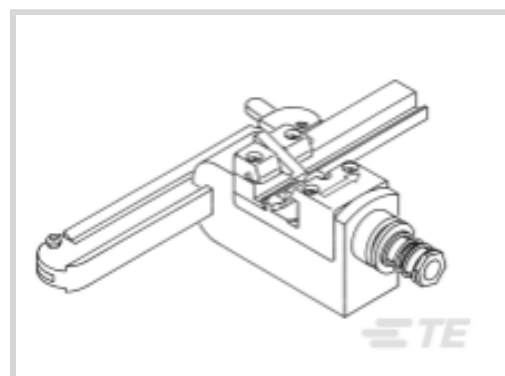
TE Internal #: 58443-1

Hand Crimping Tools, Commercial Crimp Tooling, TE Product Specification (114-), Manual, IDC Tooling

[View on TE.com >](#)



Application Tooling > Hand Crimping Tools



Tool Grade: **Commercial Crimp Tooling**

Specification Type: **TE Product Specification (114-)**

TE Certification: **Cannot be Certified**

Power Technology Type: **Manual**

Tooling Type: **IDC Tooling**

Features

Other

Crimp Form-Wire Barrel Type	Insulation Displacement
Tool Grade	Commercial Crimp Tooling
Specification Type	TE Product Specification (114-)
TE Certification	Cannot be Certified
Power Technology Type	Manual
Tooling Type	IDC Tooling

Product Compliance

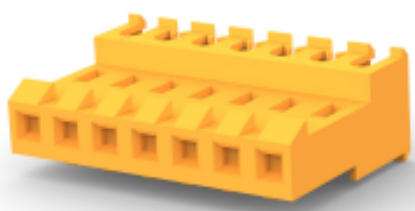
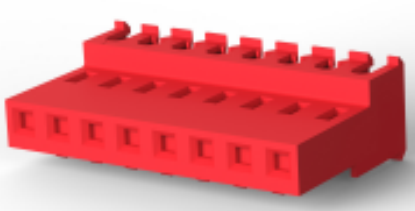
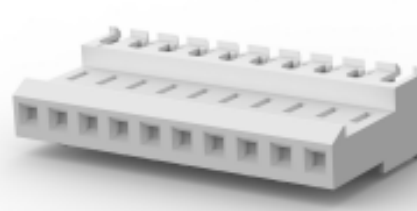

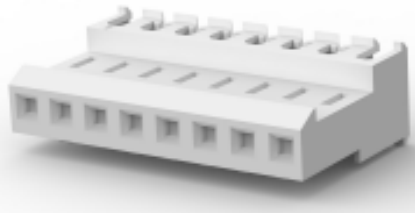

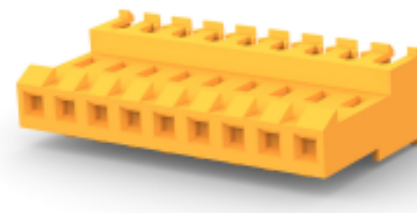
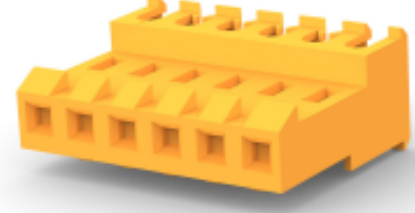
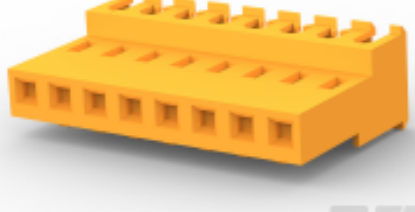
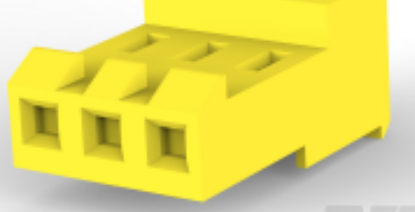


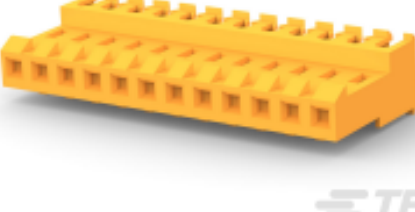

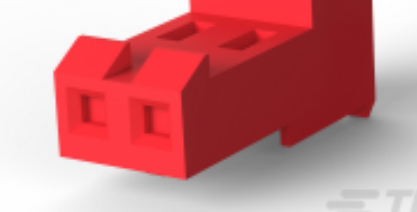

[For compliance documentation, visit the product page on TE.com>](#)

EU RoHS Directive 2011/65/EU	Out of Scope
EU ELV Directive 2000/53/EC	Out of Scope
China RoHS 2 Directive MIIT Order No 32, 2016	Not reviewed for China RoHS compliance
EU REACH Regulation (EC) No. 1907/2006	Current ECHA Candidate List: JUNE 2023 (235) Candidate List Declared Against: JUL 2021 (219) Does not contain REACH SVHC
Halogen Content	Not Yet Reviewed for halogen content
Solder Process Capability	Not applicable for solder process capability

Product Compliance Disclaimer

This information is provided based on reasonable inquiry of our suppliers and represents our current actual knowledge based on the information they provided. This information is subject to change. The part numbers that TE has identified as EU RoHS compliant have a maximum concentration of 0.1% by weight in homogenous materials for lead, hexavalent chromium, mercury, PBB, PBDE, DBP, BBP, DEHP, DIBP, and 0.01% for cadmium, or qualify for an exemption to these limits as defined in the Annexes of Directive 2011/65/EU (RoHS2). Finished electrical and electronic equipment products will be CE marked as required by Directive 2011/65/EU. Components may not be CE marked. Additionally, the part numbers that TE has identified as EU ELV compliant have a maximum concentration of 0.1% by weight in homogenous materials for lead, hexavalent chromium, and mercury, and 0.01% for cadmium, or qualify for an exemption to these limits as defined in the Annexes of Directive 2000/53/EC (ELV). Regarding the REACH Regulation, the information TE provides on SVHC in articles for this part number is based on the latest European Chemicals Agency (ECHA) 'Guidance on requirements for substances in articles' posted at this URL: <https://echa.europa.eu/guidance-documents/guidance-on-reach>

Compatible Parts

 <p>TE Part # 3-640599-7 07P MTA156 CONN ASSY 18AWG ORA</p>	 <p>TE Part # 3-640606-8 08P MTA156 CONN ASSY 22AWG LF</p>	 <p>TE Part # 4-640602-0 10P MTA156 CONN ASSY 24AWG LF</p>	 <p>TE Part # 3-640602-4 04P MTA156 CONN ASSY 24AWG LF</p>
 <p>TE Part # 3-640602-8 08P MTA156 CONN ASSY 24AWG LF</p>	 <p>TE Part # 3-640599-3 03P MTA156 CONN ASSY 18AWG ORA</p>	 <p>TE Part # 3-640599-9 09P MTA156 CONN ASSY 18AWG ORA</p>	 <p>TE Part # 3-640599-6 06P MTA156 CONN ASSY 18AWG ORA</p>
 <p>TE Part # 3-640604-8 08P MTA156 CONN ASSY 18AWG LF</p>	 <p>TE Part # 3-640600-3 03P MTA156 CONN ASSY 20AWG LF</p>	 <p>TE Part # 3-640601-3 03P MTA156 CONN ASSY 22AWG LF</p>	 <p>TE Part # 3-640599-2 02P MTA156 CONN ASSY 18AWG ORA</p>
 <p>TE Part # 4-640599-2 12P MTA156 CONN ASSY 18AWG ORA</p>	 <p>TE Part # 3-640599-5 05P MTA156 CONN ASSY 18AWG ORA</p>	 <p>TE Part # 3-640601-2 02P MTA156 CONN ASSY 22AWG LF</p>	 <p>TE Part # 3-640602-2 02P MTA156 CONN ASSY 24AWG LF</p>




TE Part # 3-640600-6
06P MTA156 CONN ASSY 20AWG LF



TE Part # 3-640599-4
04P MTA156 CONN ASSY 18AWG ORA



TE Part # 3-640601-4
04P MTA156 CONN ASSY 22AWG LF



TE Part # 3-640601-5
05P MTA156 CONN ASSY 22AWG LF ORA

Customers Also Bought



TE Part #5499922-6
A/L UNIV HDR 26P VERT LG LAT



TE Part #DT04-6P-CL06
REC, 6P, BLK, E, FLANGE



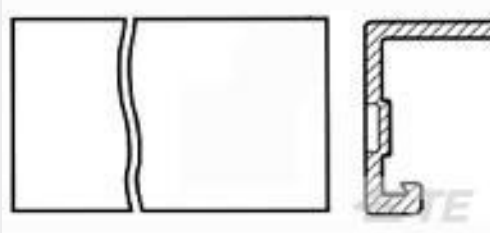
TE Part #58074-1
MTA 50/100/156 MANUAL TOOL FRAME



TE Part #3-640599-7
07P MTA156 CONN ASSY 18AWG ORA



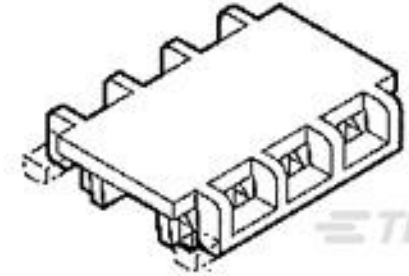
TE Part #3-640426-4
04P MTA156 CONN ASSY 18AWG ORA



TE Part #640551-4
04P MTA156 COVER



TE Part #1-643071-0
10P MTA156 FD-THRU COVER



TE Part #643071-7
07P MTA156 FD-THRU COVER



TE Part #3-640426-9
09P MTA156 CONN ASSY 18AWG ORA

Documents

[Datasheets & Catalog Pages](#)

[Bottoming Dies](#)

English

[Instruction Sheets](#)

[Instruction Sheet \(U.S.\)](#)

English