



Product Compliance

[For compliance documentation, visit the product page on TE.com>](#)

EU RoHS Directive 2011/65/EU	Out of Scope
EU ELV Directive 2000/53/EC	Out of Scope
China RoHS 2 Directive MIIT Order No 32, 2016	Not reviewed for China RoHS compliance
EU REACH Regulation (EC) No. 1907/2006	Current ECHA Candidate List: JUNE 2023 (235) Candidate List Declared Against: JAN 2021 (211) Does not contain REACH SVHC
Halogen Content	Low Halogen - Br, Cl, F, I < 900 ppm per homogenous material. Also BFR/CFR/PVC Free
Solder Process Capability	Not applicable for solder process capability

Product Compliance Disclaimer

This information is provided based on reasonable inquiry of our suppliers and represents our current actual knowledge based on the information they provided. This information is subject to change. The part numbers that TE has identified as EU RoHS compliant have a maximum concentration of 0.1% by weight in homogenous materials for lead, hexavalent chromium, mercury, PBB, PBDE, DBP, BBP, DEHP, DIBP, and 0.01% for cadmium, or qualify for an exemption to these limits as defined in the Annexes of Directive 2011/65/EU (RoHS2). Finished electrical and electronic equipment products will be CE marked as required by Directive 2011/65/EU. Components may not be CE marked. Additionally, the part numbers that TE has identified as EU ELV compliant have a maximum concentration of 0.1% by weight in homogenous materials for lead, hexavalent chromium, and mercury, and 0.01% for cadmium, or qualify for an exemption to these limits as defined in the Annexes of Directive 2000/53/EC (ELV). Regarding the REACH Regulation, the information TE provides on SVHC in articles for this part number is based on the latest European Chemicals Agency (ECHA) 'Guidance on requirements for substances in articles' posted at this URL: <https://echa.europa.eu/guidance-documents/guidance-on-reach>

Compatible Parts





TE Part # 228979-6
JACK,COML,SERIES BNC,GOLD PL



TE Part # 228980-6
JACK,BHD,COML,SERIES BNC,GOLD



TE Part # 5228979-6
JACK,COML,SERIES BNC,GOLD PL



TE Part # 5227079-7
COMM. BNC-PLUG

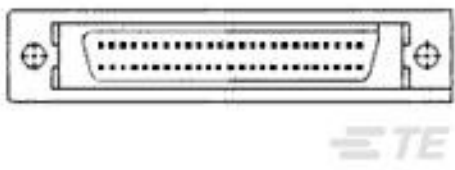


TE Part # 415011-1
PLUG,SNAP-LOCK,RG58/U



TE Part # 415012-1
JACK,SNAP-LOCK,BLKHD,RG 58/U

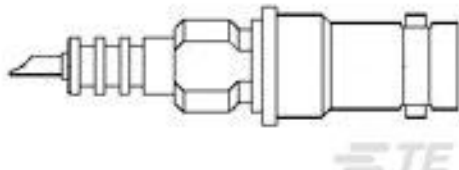
Customers Also Bought



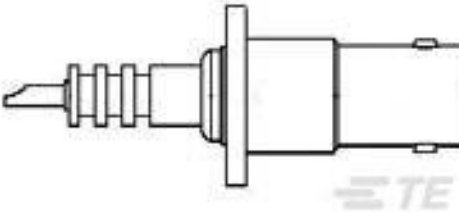
TE Part #2-5174339-5
AMPLIMITE CAP HEADER



TE Part #58074-1
MTA 50/100/156 MANUAL TOOL FRAME



TE Part #51494-2
STD HIGH VOLTAGE BLKHD RECEPT



TE Part #51421-2
SHV PANEL RECPT



TE Part #2-1623720-5
CCR2 18R 10%



TE Part #89BSD-006BA-A
6 BARA 316L DIGITAL PRESSURE SENSOR



TE Part #58247-1
MTA 156 CRIMP HEAD REPAIR DISCRETE



TE Part #91285-1
INSERT/EXTRACT TOOL ASSEMBLY



TE Part #1-206070-1
CABLE CLAMP KIT #17



TE Part #91067-1
INSERTION/EXTRACTION TOOL

Documents



Datasheets & Catalog Pages

[1-1773865-2_1015_Commercial Manual Hand Tools](#)

English

Instruction Sheets

[Instruction Sheet \(U.S.\)](#)

English