

58430-1 ✓ ACTIVE

AMPLIMITE | AMPLIMITE 0.50 Series

TE Internal #: 58430-1

Insertion & Extraction Tools, Contact Insertion, Contact-to-Wire,  
AMPLIMITE 0.50 Series

[View on TE.com >](#)



Application Tooling > Insertion & Extraction Tools



Insertion & Extraction Tool Type: **Contact Insertion**

Insertion & Extraction Tool Application: **Contact-to-Wire**

## Features

### Product Type Features

Insertion & Extraction Tool Type	Contact Insertion
Insertion & Extraction Tool Application	Contact-to-Wire

## Product Compliance

[For compliance documentation, visit the product page on TE.com>](#)

EU RoHS Directive 2011/65/EU	Out of Scope
EU ELV Directive 2000/53/EC	Out of Scope
China RoHS 2 Directive MIIT Order No 32, 2016	Not reviewed for China RoHS compliance
EU REACH Regulation (EC) No. 1907/2006	Current ECHA Candidate List: JUNE 2023 (235) Candidate List Declared Against: JUNE 2023 (235) Does not contain REACH SVHC
Halogen Content	Low Halogen - Br, Cl, F, I < 900 ppm per homogenous material. Also BFR/CFR/PVC Free
Solder Process Capability	Not applicable for solder process capability

### Product Compliance Disclaimer

This information is provided based on reasonable inquiry of our suppliers and represents our current actual knowledge based on the information they provided. This information is subject to change. The part numbers that TE has identified as EU RoHS compliant have a maximum concentration of 0.1% by weight in homogenous materials for lead, hexavalent chromium, mercury, PBB, PBDE, DBP, BBP, DEHP, DIBP, and 0.01% for cadmium, or qualify for an exemption to these limits as defined in the Annexes of Directive 2011/65/EU (RoHS2). Finished electrical and electronic equipment products will be CE marked as required by Directive 2011/65/EU. Components may not be CE marked. Additionally, the part numbers that TE has identified as EU ELV compliant have a maximum concentration of 0.1% by weight in homogenous materials for lead, hexavalent chromium, and mercury, and 0.01% for cadmium, or qualify for an exemption to these limits as defined in the Annexes of Directive 2000/53/EC (ELV). Regarding the REACH Regulation, the information TE provides on SVHC in articles for this part number is based on the latest European Chemicals Agency (ECHA) 'Guidance on

requirements for substances in articles' posted at this URL: <https://echa.europa.eu/guidance-documents/guidance-on-reach>

## Compatible Parts



TE Part # CAT-AM7-22507  
IDC D-Sub: Connector Kit, Plug, Signal, 1.27 mm



TE Part # 750877-2  
26 50SR TERMINATOR COVER



TE Part # 1-750877-5  
50 50SR TERMINATOR COVER



TE Part # 1-750877-7  
68 50SR TERMINATOR COVER



TE Part # 1-750877-9  
100 50SR TERMINATOR COVER



TE Part # 750877-5  
50SR TERMINATOR COVER



TE Part # 750877-7  
68 50SR TERMINATOR COVER




TE Part # 749699-4  
40 50SR CABLE RCPT KIT




TE Part # 1-750877-2  
26 50SR TERMINATOR COVER

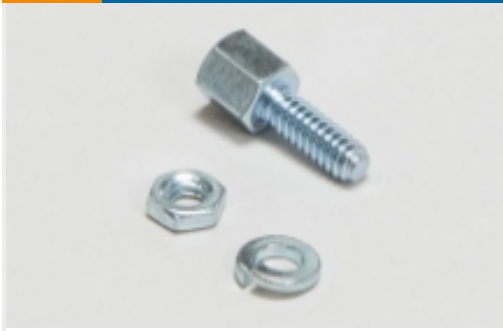
## Also in the Series | AMPLIMITE 0.50 Series



Connector Backshells(31)



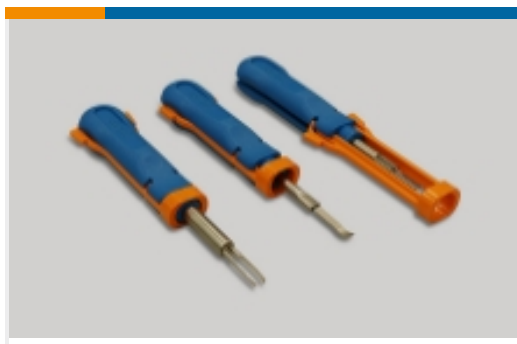
Connector Caps & Covers(20)



D-Sub Locking & Mounting(8)



IDC D-Sub Connectors(66)



Insertion &amp; Extraction Tools(1)



PCB D-Sub Connectors(172)

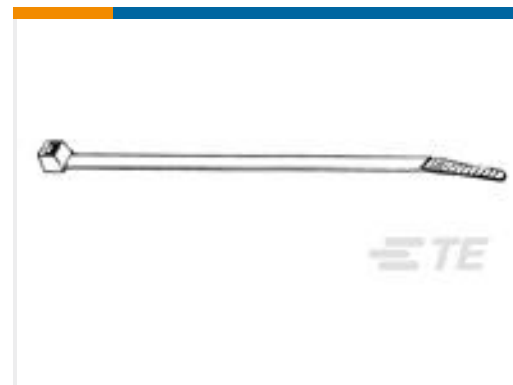
## Customers Also Bought



TE Part #5749621-3  
IDC D-Sub: Connector Kit, Plug,  
Signal, 1.27 mm



TE Part #DT04-2P-EP04  
REC, 2P, GRY, N, CAP



TE Part #1-604771-0  
CABLE TIE, 4" BLACK, 100PK



TE Part #1-1757824-1  
AMPLIMITE,ASY,RCPT,STD,90,ZN,5,CT



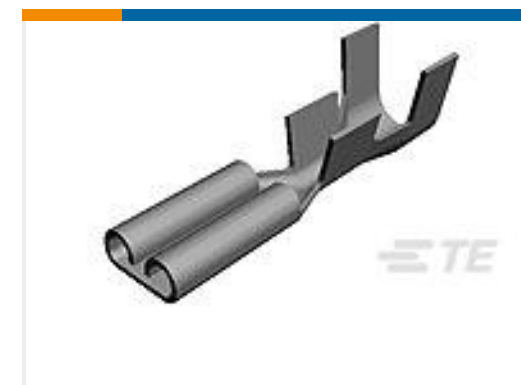
TE Part #927840-2  
SPT REC 6.3 Contact SRC Sn



TE Part #YDTS26F17-26SNV001  
PLUG ASSY



TE Part #5749195-2  
68 50SR KIT,ST,UK



TE Part #140719-2  
110 FASTON,REC.,22-18 AWG,TPBR

## Documents

### Datasheets & Catalog Pages

[AMPLIMITE Subminiature D Connectors - .050 Series Connector](#)

English

### Instruction Sheets

[Instruction Sheet \(U.S.\)](#)

English