



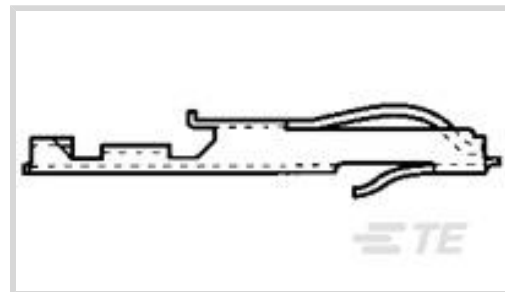
AMP

TE Internal #: 583857-7

Connector Contact, Socket, Wire-to-Board, Gold Flash, Loose Piece, Wire & Cable, 5 A, Power & Signal, -40 – 185 °F [-40 – 85 °C]

[View on TE.com >](#)

Connectors > PCB Connectors > Wire-to-Board Connectors > Wire-to-Board Connector Contacts



Contact Type: **Socket**

Connector System: **Wire-to-Board**

Contact Mating Area Plating Material: **Gold Flash**

Packaging Method: **Loose Piece**

Connector & Contact Terminates To: **Wire & Cable**

Features

Product Type Features

Connector System	Wire-to-Board
Connector & Contact Terminates To	Wire & Cable

Contact Features

Wire Contact Termination Area Plating Material	Gold Flash
Contact Base Material	Phosphor Bronze
Contact Type	Socket
Contact Mating Area Plating Material	Gold Flash
Contact Current Rating (Max)	5 A

Usage Conditions

Operating Temperature Range	-40 – 85 °C[-40 – 185 °F]
-----------------------------	---------------------------

Operation/Application

Circuit Application	Power & Signal
---------------------	----------------

Packaging Features

Packaging Quantity	5000
Packaging Method	Loose Piece

Product Compliance

[For compliance documentation, visit the product page on TE.com>](#)

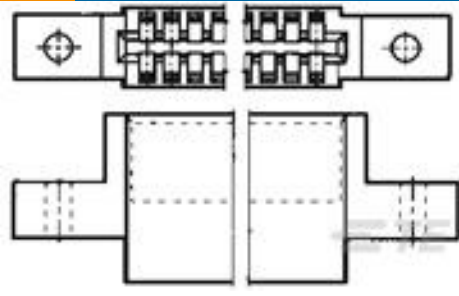


EU RoHS Directive 2011/65/EU	Compliant
EU ELV Directive 2000/53/EC	Compliant
China RoHS 2 Directive MIIT Order No 32, 2016	No Restricted Materials Above Threshold
EU REACH Regulation (EC) No. 1907/2006	Current ECHA Candidate List: JUNE 2023 (235) Candidate List Declared Against: JUNE 2023 (235) Does not contain REACH SVHC
Halogen Content	Low Halogen - Br, Cl, F, I < 900 ppm per homogenous material. Also BFR/CFR/PVC Free
Solder Process Capability	Not applicable for solder process capability

Product Compliance Disclaimer

This information is provided based on reasonable inquiry of our suppliers and represents our current actual knowledge based on the information they provided. This information is subject to change. The part numbers that TE has identified as EU RoHS compliant have a maximum concentration of 0.1% by weight in homogenous materials for lead, hexavalent chromium, mercury, PBB, PBDE, DBP, BBP, DEHP, DIBP, and 0.01% for cadmium, or qualify for an exemption to these limits as defined in the Annexes of Directive 2011/65/EU (RoHS2). Finished electrical and electronic equipment products will be CE marked as required by Directive 2011/65/EU. Components may not be CE marked. Additionally, the part numbers that TE has identified as EU ELV compliant have a maximum concentration of 0.1% by weight in homogenous materials for lead, hexavalent chromium, and mercury, and 0.01% for cadmium, or qualify for an exemption to these limits as defined in the Annexes of Directive 2000/53/EC (ELV). Regarding the REACH Regulation, the information TE provides on SVHC in articles for this part number is based on the latest European Chemicals Agency (ECHA) 'Guidance on requirements for substances in articles' posted at this URL: <https://echa.europa.eu/guidance-documents/guidance-on-reach>

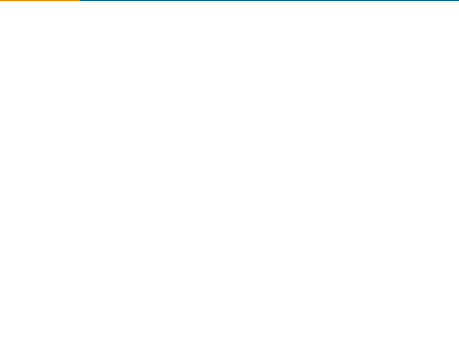
Compatible Parts



TE Part # 583861-7
10 POS. TWIN LEAF 100 C/L

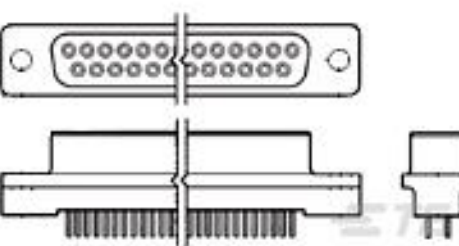


TE Part # 174843-2
TWIN LEAF CONN 38P DUAL



TE Part # 174980-1
TWIN LEAF CONN. ASSY 25PDUAL

Customers Also Bought



TE Part #5745078-3
HD-20 RCPT 25P VERT FFSCRLK



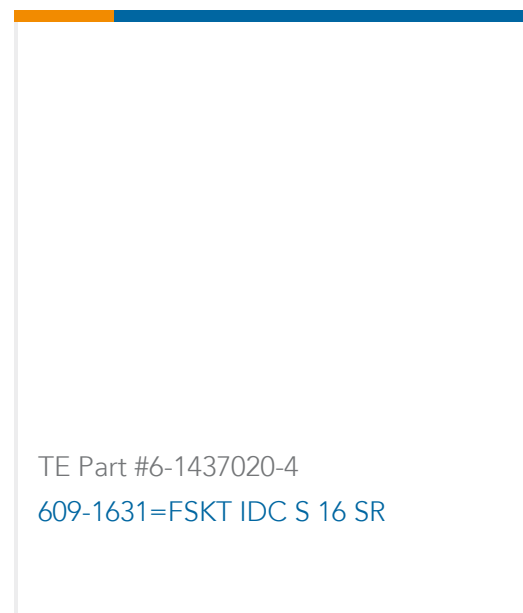
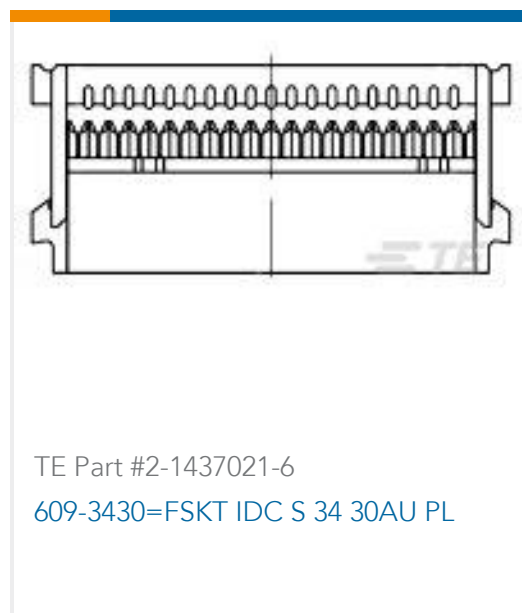
TE Part #5102322-8
A/L UNIV HDR 34P RA LG LAT



TE Part #8-35110-1
TERMINAL,PIDG R 12-10 1/4



TE Part #4-1437664-1
NC6-P108-08=NC6 ASSEMBLY



Documents

CAD Files

3D PDF

3D

Customer View Model

[ENG_CVM_CVM_583857-7_AN.2d_dxf.zip](#)

English

Customer View Model

[ENG_CVM_CVM_583857-7_AN.3d_igs.zip](#)

English

Customer View Model

[ENG_CVM_CVM_583857-7_AN.3d_stp.zip](#)

English

Customer View Model

[ENG_CVM_583857-7_H.3d_igs.zip](#)

English

Customer View Model

[ENG_CVM_583857-7_H.3d_stp.zip](#)

English

Customer View Model

[ENG_CVM_583857-7_H.2d_dxf.zip](#)

English

3D PDF

English

By downloading the CAD file I accept and agree to the [Terms and Conditions](#) of use.

Product Specifications

[Product Specification](#)



English

[Product Specification](#)

English

[Product Environmental Compliance](#)

[Product Compliance](#)

English

[Product Compliance](#)

English

[Instruction Sheets](#)

[Instruction Sheet \(U.S.\)](#)

English