

58374-1 ✓ ACTIVE

AMP

TE Internal #: 58374-1

Hand Crimping Tools, Commercial Crimp Tooling, Removable /Interchangeable, TE Product Specification (108-), Manual, Die Assembly

[View on TE.com >](#)



Application Tooling > Hand Crimping Tools



Tool Grade: **Commercial Crimp Tooling**

Die Sets Type: **Removable/Interchangeable**

Specification Type: **TE Product Specification (108-)**

TE Certification: **Yes – Certificate Included**

Power Technology Type: **Manual**

Features

Other

Tool Grade	Commercial Crimp Tooling
Die Sets Type	Removable/Interchangeable
Specification Type	TE Product Specification (108-)
TE Certification	Yes – Certificate Included
Power Technology Type	Manual
Tooling Type	Die Assembly

Product Compliance

[For compliance documentation, visit the product page on TE.com>](#)

EU RoHS Directive 2011/65/EU	Out of Scope
EU ELV Directive 2000/53/EC	Out of Scope
China RoHS 2 Directive MIIT Order No 32, 2016	Not reviewed for China RoHS compliance
EU REACH Regulation (EC) No. 1907/2006	Current ECHA Candidate List: JUNE 2023 (235) Candidate List Declared Against: JAN 2021 (211) Does not contain REACH SVHC
Halogen Content	Not Yet Reviewed for halogen content
Solder Process Capability	Not applicable for solder process capability

Product Compliance Disclaimer

This information is provided based on reasonable inquiry of our suppliers and represents our current actual knowledge based on the information they provided. This information is subject to change. The part numbers that TE has identified as EU RoHS compliant have a maximum concentration of 0.1% by weight in homogenous materials for lead, hexavalent chromium, mercury, PBB, PBDE, DBP, BBP, DEHP, DIBP, and 0.01% for cadmium, or qualify for an exemption to these limits as defined in the Annexes of Directive 2011/65/EU (RoHS2). Finished electrical and electronic equipment products will be CE marked as required by Directive 2011/65/EU. Components may not be CE marked. Additionally, the part numbers that TE has identified as EU ELV compliant have a maximum concentration of 0.1% by weight in homogenous materials for lead, hexavalent chromium, and mercury, and 0.01% for cadmium, or qualify for an exemption to these limits as defined in the Annexes of Directive 2000/53/EC (ELV). Regarding the REACH Regulation, the information TE provides on SVHC in articles for this part number is based on the latest European Chemicals Agency (ECHA) 'Guidance on requirements for substances in articles' posted at this URL: <https://echa.europa.eu/guidance-documents/guidance-on-reach>

Compatible Parts



TE Part # 350390-1
.140 DIA SOK 14-10 PTPBR L/P



TE Part # 350391-1
.140 DIA PIN 14-10 PTPBR L/P



TE Part # 350390-2
.140 DIA SOK 14-10 PTPPHBZ L/P

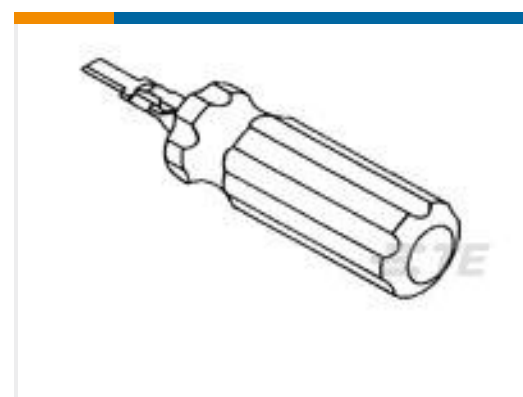


TE Part # 350391-2
.140 DIA PIN 14-10 PTPPHBZ L/P

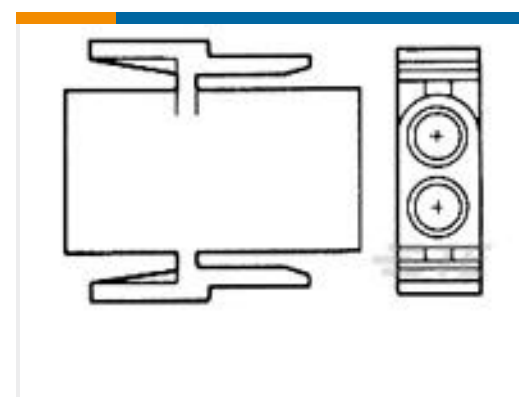
Customers Also Bought



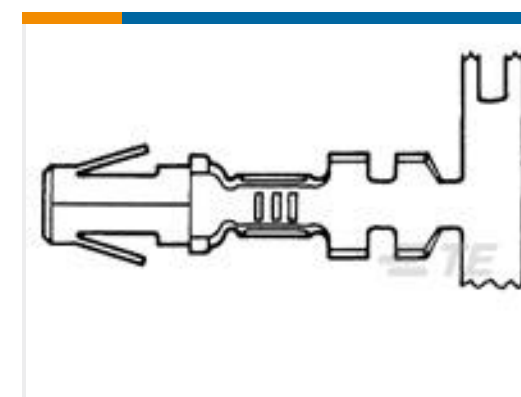
TE Part #69710-1
C-HEAD FRAME W/O DIES



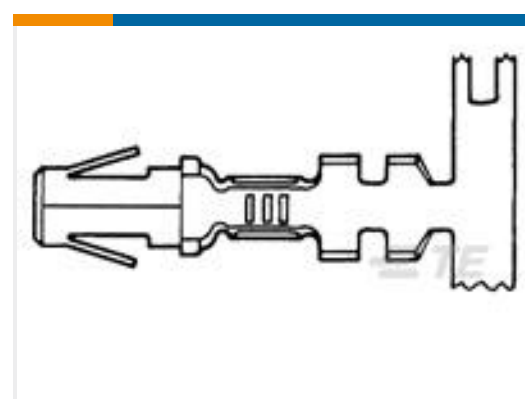
TE Part #305183
EXTRACT TOOL TYPE 2 20-16



TE Part #1-350344-0
02P .140 MNL PLUG NAT



TE Part #350200-2
.140 DIA SOK 14-10 PTPPHBZ



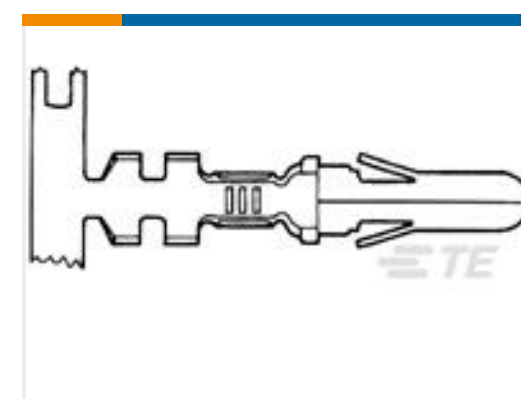
TE Part #350390-2
.140 DIA SOK 14-10 PTPPHBZ L/P



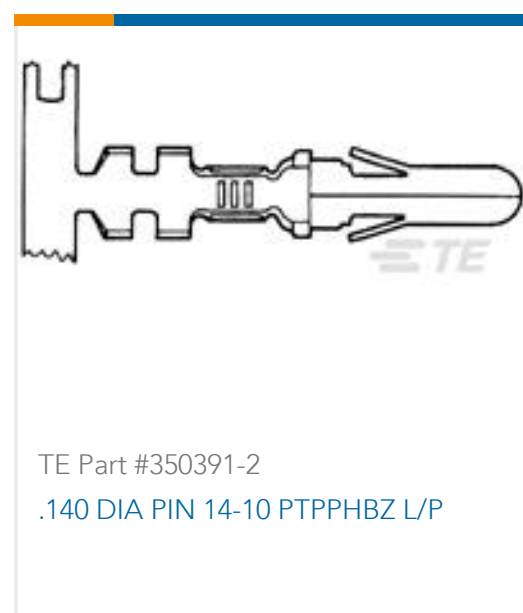
TE Part #36807
TERMINAL, SOLIS R 6 3/8



TE Part #2-1423159-3
7012PC=RLY, STD, ON, 2P, 125VDC, 15



TE Part #350201-2
.140 DIA PIN 14-10 PTPPHBZ



Documents

Datasheets & Catalog Pages

Bottoming Dies

English

Instruction Sheets

Instruction Sheet (U.S.)

English

Interchangeable Crimping Dies 58373-1 and 58374-1

English

Instruction Sheet (U.S.)

English