



Application Tooling > Hand Crimping Tools



TE Certification: **Cannot be Certified**

Power Technology Type: **Manual, Pneumatic**

Tooling Type: **Head Assembly**

Features

Other

Crimp Form-Wire Barrel Type	Insulation Displacement
TE Certification	Cannot be Certified
Power Technology Type	Manual, Pneumatic
Tooling Type	Head Assembly

Product Compliance

[For compliance documentation, visit the product page on TE.com>](#)



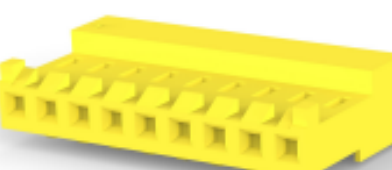
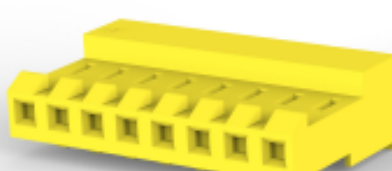
EU RoHS Directive 2011/65/EU	Out of Scope
EU ELV Directive 2000/53/EC	Out of Scope
China RoHS 2 Directive MIIT Order No 32, 2016	Not reviewed for China RoHS compliance
EU REACH Regulation (EC) No. 1907/2006	Current ECHA Candidate List: JUNE 2023 (235) Candidate List Declared Against: JUL 2021 (219) Does not contain REACH SVHC
Halogen Content	Low Halogen - Br, Cl, F, I < 900 ppm per homogenous material. Also BFR/CFR/PVC Free
Solder Process Capability	Not applicable for solder process capability

Product Compliance Disclaimer

This information is provided based on reasonable inquiry of our suppliers and represents our current actual knowledge based on the information they provided. This information is subject to change. The part numbers that TE has identified as EU RoHS compliant have a maximum concentration of 0.1% by weight in homogenous materials for lead, hexavalent chromium, mercury, PBB, PBDE, DBP, BBP, DEHP, DIBP, and 0.01% for cadmium, or qualify for an exemption to these

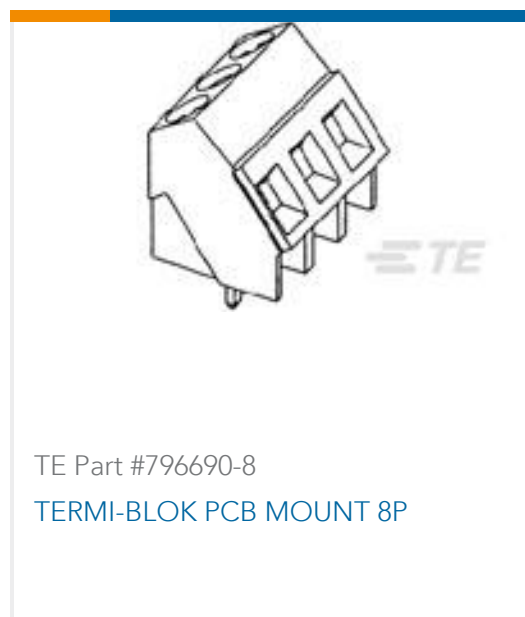
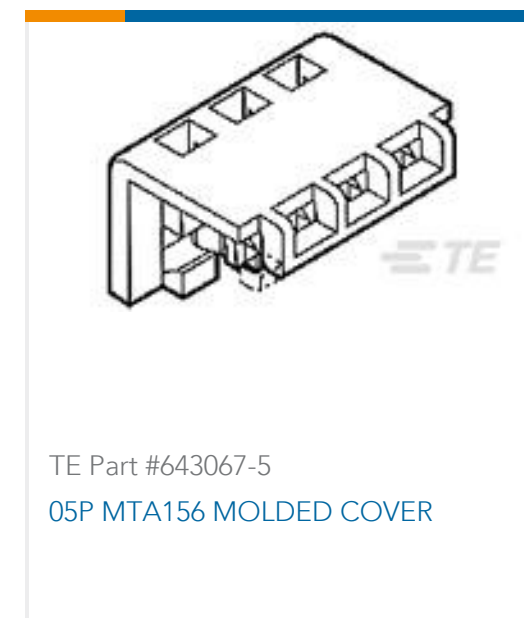
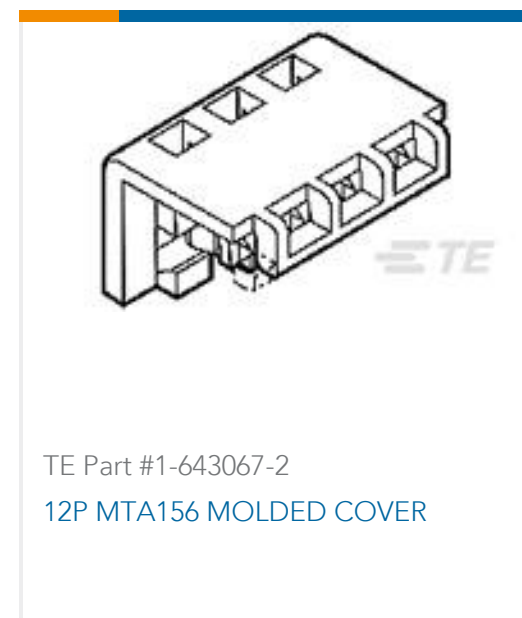
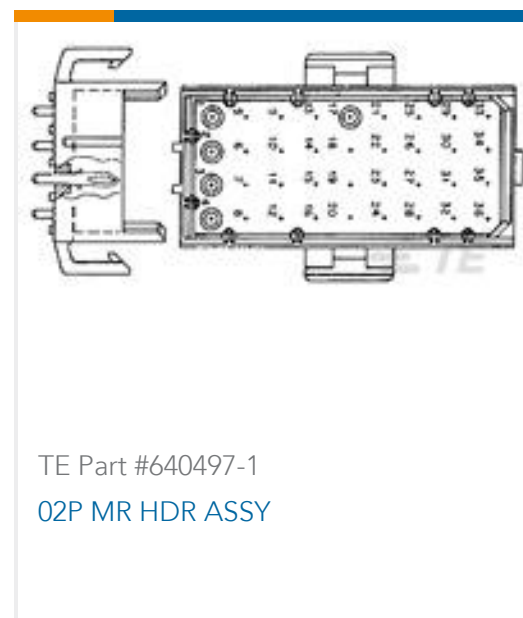
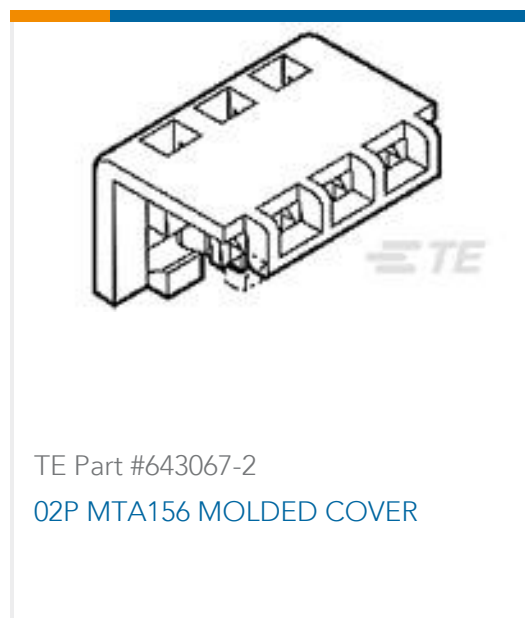
limits as defined in the Annexes of Directive 2011/65/EU (RoHS2). Finished electrical and electronic equipment products will be CE marked as required by Directive 2011/65/EU. Components may not be CE marked. Additionally, the part numbers that TE has identified as EU ELV compliant have a maximum concentration of 0.1% by weight in homogenous materials for lead, hexavalent chromium, and mercury, and 0.01% for cadmium, or qualify for an exemption to these limits as defined in the Annexes of Directive 2000/53/EC (ELV). Regarding the REACH Regulation, the information TE provides on SVHC in articles for this part number is based on the latest European Chemicals Agency (ECHA) 'Guidance on requirements for substances in articles' posted at this URL: <https://echa.europa.eu/guidance-documents/guidance-on-reach>

Compatible Parts

 <p>TE Part # 58074-1 MTA 50/100/156 MANUAL TOOL FRAME</p>	 <p>TE Part # 4-640427-2 12P MTA156 CONN ASSY 20AWG YEL</p>	 <p>TE Part # 4-640427-0 10P MTA156 CONN ASSY 20AWG YEL</p>	 <p>TE Part # 3-640429-7 07P MTA156 CONN ASSY 24AWG WHT</p>
 <p>TE Part # 3-643817-9 09P MTA156 CONN ASSY 18AWG LF</p>	 <p>TE Part # 4-643818-3 13P MTA156 CONN ASSY 20AWG YEL</p>	 <p>TE Part # 3-644460-3 03P MTA156 CONN ASSY 18AWG ORA</p>	 <p>TE Part # 3-640431-5 05P MTA156 CONN ASSY 18AWG ORA</p>
 <p>TE Part # 4-640428-0 10P MTA156 CONN ASSY 22AWG RED</p>	 <p>TE Part # 3-640428-7 07P MTA156 CONN ASSY 22AWG RED</p>	 <p>TE Part # 3-643820-2 02P MTA156 CONN ASSY 24AWG LF</p>	 <p>TE Part # 3-643818-9 09P MTA156 CONN ASSY 20AWG YEL</p>
 <p>TE Part # 4-640427-1 11P MTA156 CONN ASSY 20AWG YEL</p>	 <p>TE Part # 4-643819-0 10P MTA156 CONN ASSY 22AWG RED</p>	 <p>TE Part # 4-643818-2 12P MTA156 CONN ASSY 20AWG YEL</p>	 <p>TE Part # 3-640427-8 08P MTA156 CONN ASSY 20AWG YEL</p>



Customers Also Bought



Documents

Datasheets & Catalog Pages

[MTA Portable Tooling Solutions](#)

English

Bottoming Dies

English

Instruction Sheets

[Instruction Sheet \(U.S.\)](#)

English



[Ribbon Cable Terminating Head 58247-3 for MTA-156 Receptacle Connectors](#)

English

[Instruction Sheet \(U.S.\)](#)

English