

58082-1 ✓ ACTIVE

AMP

TE Internal #: 58082-1

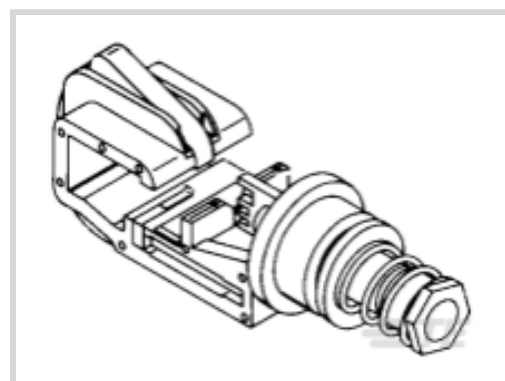
Hand Crimping Tools, Commercial Crimp Tooling, Fixed In Tool,

TE Product Specification (114-), Manual, IDC Tooling

[View on TE.com >](#)



Application Tooling > Hand Crimping Tools



Tool Grade: **Commercial Crimp Tooling**

Die Sets Type: **Fixed In Tool**

Specification Type: **TE Product Specification (114-)**

TE Certification: **Cannot be Certified**

Power Technology Type: **Manual**

Features

Other

| | |
|-----------------------------|---------------------------------|
| Crimp Form-Wire Barrel Type | Insulation Displacement |
| Tool Grade | Commercial Crimp Tooling |
| Die Sets Type | Fixed In Tool |
| Specification Type | TE Product Specification (114-) |
| TE Certification | Cannot be Certified |
| Power Technology Type | Manual |
| Tooling Type | IDC Tooling |

Product Compliance

[For compliance documentation, visit the product page on TE.com>](#)

| | |
|---|--|
| EU RoHS Directive 2011/65/EU | Out of Scope |
| EU ELV Directive 2000/53/EC | Out of Scope |
| China RoHS 2 Directive MIIT Order No 32, 2016 | Not reviewed for China RoHS compliance |
| EU REACH Regulation (EC) No. 1907/2006 | Current ECHA Candidate List: JUNE 2023 (235) Candidate List Declared Against: JUL 2021 (219) Does not contain REACH SVHC |
| Halogen Content | Not Yet Reviewed for halogen content |
| Solder Process Capability | Not applicable for solder process capability |

Product Compliance Disclaimer

This information is provided based on reasonable inquiry of our suppliers and represents our current actual knowledge based on the information they provided. This information is subject to change. The part numbers that TE has identified as EU RoHS compliant have a maximum concentration of 0.1% by weight in homogenous materials for lead, hexavalent chromium, mercury, PBB, PBDE, DBP, BBP, DEHP, DIBP, and 0.01% for cadmium, or qualify for an exemption to these limits as defined in the Annexes of Directive 2011/65/EU (RoHS2). Finished electrical and electronic equipment products will be CE marked as required by Directive 2011/65/EU. Components may not be CE marked. Additionally, the part numbers that TE has identified as EU ELV compliant have a maximum concentration of 0.1% by weight in homogenous materials for lead, hexavalent chromium, and mercury, and 0.01% for cadmium, or qualify for an exemption to these limits as defined in the Annexes of Directive 2000/53/EC (ELV). Regarding the REACH Regulation, the information TE provides on SVHC in articles for this part number is based on the latest European Chemicals Agency (ECHA) 'Guidance on requirements for substances in articles' posted at this URL: <https://echa.europa.eu/guidance-documents/guidance-on-reach>

Compatible Parts






TE Part # 3-641435-6
06P MTA156 CONN ASSY ORNG



TE Part # 3-641435-2
02P MTA156 CONN ASSY ORNG



TE Part # 3-641438-6
06P MTA156 PSTD CONN ASSY WHT



TE Part # 3-641438-9
09P MTA156 PSTD CONN ASSY WHT



TE Part # 3-647476-3
03P MTA156 PSTD CONN 18AWG LF



TE Part # 3-641438-2
02P MTA156 PSTD CONN ASSY WHT



TE Part # 3-641436-3
03P MTA156 PST CONN ASSY LF



TE Part # 3-641439-4
04P MTA156 PST CON ASSY LF

Customers Also Bought



TE Part #4-640440-3
13P MTA100 CONN ASSY 22AWG RED



TE Part #281839-4
HOUSING HE13 HE14 COSI 2X4 P



TE Part #58074-1
MTA 50/100/156 MANUAL TOOL FRAME



TE Part #3-641437-6
06P MTA156 PSTD CONN ASSY RED



TE Part #3-640428-5
05P MTA156 CONN ASSY 22AWG RED



TE Part #3-640428-4
04P MTA156 CONN ASSY 22AWG RED



TE Part #320749
SOLIS SPDFLG 22-16COM22-18MIL6



TE Part #HD14-5-16P
INL REC ASM



TE Part #F41698-000
HW-508127-5-9



TE Part #4-640428-5
15P MTA156 CONN ASSY 22AWG RED

Documents



Datasheets & Catalog Pages

Bottoming Dies

English

Instruction Sheets

Instruction Sheet (U.S.)

English