

58074-1 ✓ ACTIVE

AMP

TE Internal #: 58074-1

Hand Crimping Tools, Operator Releasable & Adjustable, Manual,
Handle Assembly

[View on TE.com >](#)



Application Tooling > Hand Crimping Tools



Ratchet Configuration: **Operator Releasable & Adjustable**

TE Certification: **Cannot be Certified**

Power Technology Type: **Manual**

Tooling Type: **Handle Assembly**

Features

Other

Ratchet Configuration	Operator Releasable & Adjustable
TE Certification	Cannot be Certified
Power Technology Type	Manual
Tooling Type	Handle Assembly

Product Compliance

[For compliance documentation, visit the product page on TE.com>](#)

EU RoHS Directive 2011/65/EU	Compliant
EU ELV Directive 2000/53/EC	Out of Scope
China RoHS 2 Directive MIIT Order No 32, 2016	No Restricted Materials Above Threshold
EU REACH Regulation (EC) No. 1907/2006	Current ECHA Candidate List: JUNE 2023 (235) Candidate List Declared Against: JUNE 2022 (224) Does not contain REACH SVHC
Halogen Content	Low Halogen - Br, Cl, F, I < 900 ppm per homogenous material. Also BFR/CFR/PVC Free
Solder Process Capability	Not applicable for solder process capability

Product Compliance Disclaimer

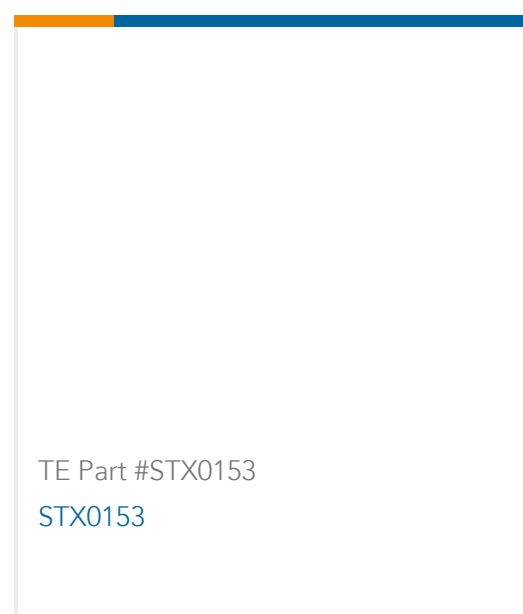
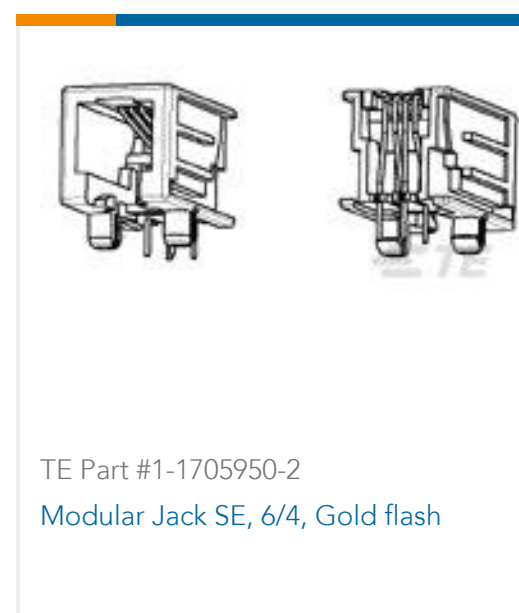
This information is provided based on reasonable inquiry of our suppliers and represents our current actual knowledge based on the information they provided. This information is subject to change. The part numbers that TE has identified as EU RoHS compliant have a maximum concentration of 0.1% by weight in homogenous materials for lead, hexavalent chromium, mercury, PBB, PBDE, DBP, BBP, DEHP, DIBP, and 0.01% for cadmium, or qualify for an exemption to these limits as defined in the Annexes of Directive 2011/65/EU (RoHS2). Finished electrical and electronic equipment products will be CE marked as required by Directive 2011/65/EU. Components may not be CE marked. Additionally, the part numbers that TE has identified as EU ELV compliant have a maximum concentration of 0.1% by weight in homogenous materials for lead, hexavalent chromium, and mercury, and 0.01% for cadmium, or qualify for an exemption to these limits as defined in the Annexes of Directive 2000/53/EC (ELV). Regarding the REACH Regulation, the information TE provides on SVHC in articles for this part number is based on the latest European Chemicals Agency (ECHA) 'Guidance on requirements for substances in articles' posted at this URL: <https://echa.europa.eu/guidance-documents/guidance-on-reach>

Compatible Parts





Customers Also Bought



Documents

Datasheets & Catalog Pages

MTA Portable Tooling Solutions

English

AMPLIMITE Subminiature D Connectors - Cable Connectors

English

Bottoming Dies

English

AMPMODU MTE INTERCONNECT SYSTEM



English

Instruction Sheets

Instruction Sheet (U.S.)

English