



AMPLIMITE

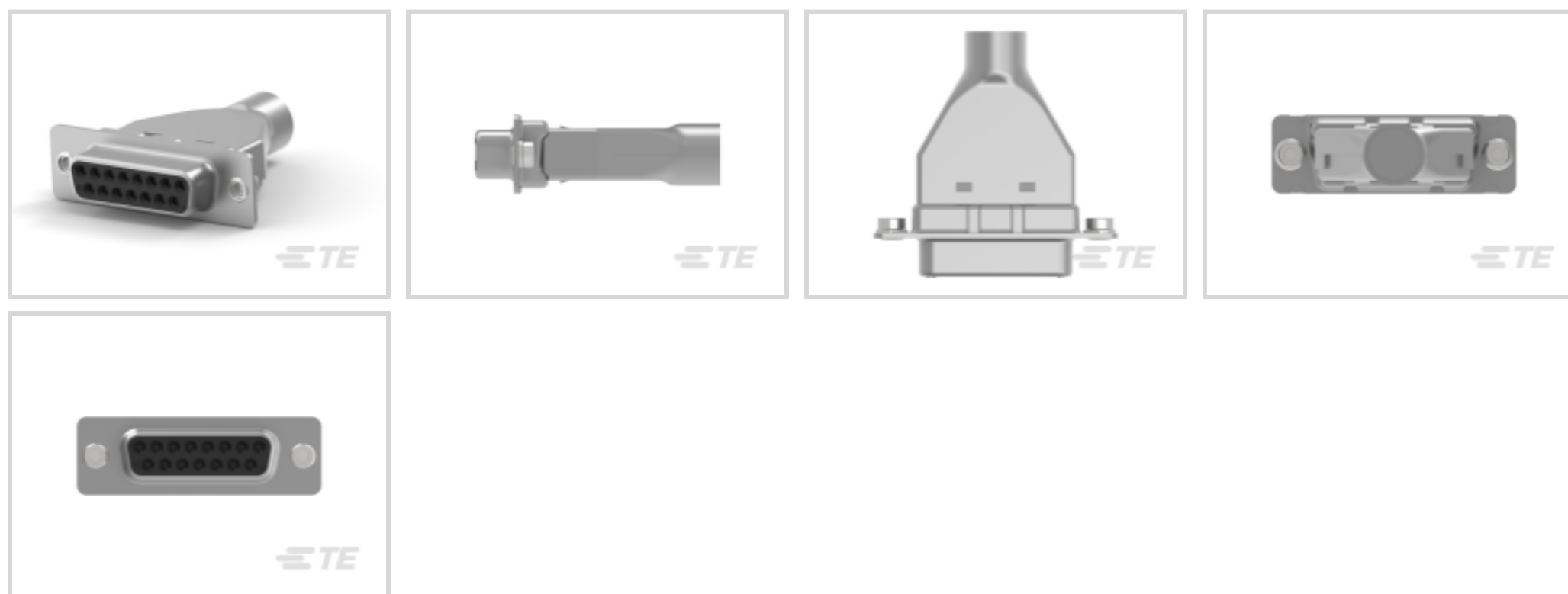
TE Internal #: 5787908-1

Crimp D-Sub Connectors, Receptacle, Cable-to-Cable, 15 Position, Contact Size Size 20, 2 Connector Shell Size, Mating Retention, Shielded

[View on TE.com >](#)

Connectors > D-Shaped Connectors > D-Sub Connectors > Crimp D-Sub Connectors >

D-Sub Crimp Recpt Signal 15 Posn, Socket Size 20, Shell Size 2



Connector & Housing Type: **Receptacle**

Connector System: **Cable-to-Cable**

Number of Positions: **15**

Contact Size: **Size 20**

Connector Shell Size: **2**

[All D-Sub Crimp Recpt Signal 15 Posn, Socket Size 20, Shell Size 2 \(10\)](#)

Features

Product Type Features

Shell Material Configuration	Full Metal Shell
Connector & Housing Type	Receptacle
Connector System	Cable-to-Cable
Connector Shell Size	2
Sealable	No
Connector & Contact Terminates To	Wire & Cable

Configuration Features

Number of Positions	15
---------------------	----

Body Features

Insert Material	Thermoplastic
Shield Plating Material	Tin
Shield Material	Steel



Shell Plating Material	Tin over Copper
------------------------	-----------------

Primary Product Color	Black
-----------------------	-------

Contact Features

Contact Size	Size 20
--------------	---------

Mechanical Attachment

Mating Retention	With
------------------	------

Mating Retention Type	Clinch Nut, 4-40 UNC
-----------------------	----------------------

Housing Features

Shell Material	Steel
----------------	-------

Housing Material	Nylon GF
------------------	----------

Centerline (Pitch)	2.74 mm [.108 in]
--------------------	-------------------

Dimensions

Compatible Insulation Diameter Range	4.83 – 8.38 mm
--------------------------------------	----------------

Usage Conditions

Operating Temperature Range	-55 – 105 °C [-67 – 221 °F]
-----------------------------	-----------------------------

Operation/Application

Shielded	Yes
----------	-----

Circuit Application	Signal
---------------------	--------

Industry Standards

UL Flammability Rating	UL 94V-0
------------------------	----------

Packaging Features

Packaging Quantity	1
--------------------	---

Packaging Method	Kit, Package
------------------	--------------

Other

D-Shaped Connectors Comment	Components shipped unassembled, each part bulk-packaged., Maximum cable diameter after jacket and braid removed., Receptacles accept size 20 DF socket contacts.
-----------------------------	--

Product Compliance

[For compliance documentation, visit the product page on TE.com>](#)

EU RoHS Directive 2011/65/EU	Compliant
------------------------------	-----------



EU ELV Directive 2000/53/EC	Compliant
China RoHS 2 Directive MIIT Order No 32, 2016	No Restricted Materials Above Threshold
EU REACH Regulation (EC) No. 1907/2006	Current ECHA Candidate List: JUNE 2023 (235) Candidate List Declared Against: JUNE 2023 (235) Does not contain REACH SVHC
Halogen Content	Not Low Halogen - contains Br or Cl > 900 ppm.
Solder Process Capability	Not applicable for solder process capability

Product Compliance Disclaimer

This information is provided based on reasonable inquiry of our suppliers and represents our current actual knowledge based on the information they provided. This information is subject to change. The part numbers that TE has identified as EU RoHS compliant have a maximum concentration of 0.1% by weight in homogenous materials for lead, hexavalent chromium, mercury, PBB, PBDE, DBP, BBP, DEHP, DIBP, and 0.01% for cadmium, or qualify for an exemption to these limits as defined in the Annexes of Directive 2011/65/EU (RoHS2). Finished electrical and electronic equipment products will be CE marked as required by Directive 2011/65/EU. Components may not be CE marked. Additionally, the part numbers that TE has identified as EU ELV compliant have a maximum concentration of 0.1% by weight in homogenous materials for lead, hexavalent chromium, and mercury, and 0.01% for cadmium, or qualify for an exemption to these limits as defined in the Annexes of Directive 2000/53/EC (ELV). Regarding the REACH Regulation, the information TE provides on SVHC in articles for this part number is based on the latest European Chemicals Agency (ECHA) 'Guidance on requirements for substances in articles' posted at this URL: <https://echa.europa.eu/guidance-documents/guidance-on-reach>

Compatible Parts



TE Part # CAT-035-DCPPS202
D-Sub Crimp: Plug, Signal, 15 Posn,
Pin Size 20, Shell Size 2



TE Part # CAT-035-DCRSS202
D-Sub Crimp Recpt Signal 15 Posn,
Socket Size 20, Shell Size 2

Customers Also Bought



TE Part #5748526-1
KIT, PLUG, 9P, HDP-20, SHLD HDWRE



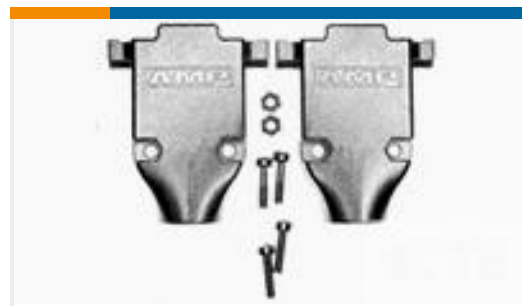
TE Part #211102-1
CPC RECEPT ASSEMBLY SIZE 11-4



TE Part #205209-2
RECP ASSY SIZE 4



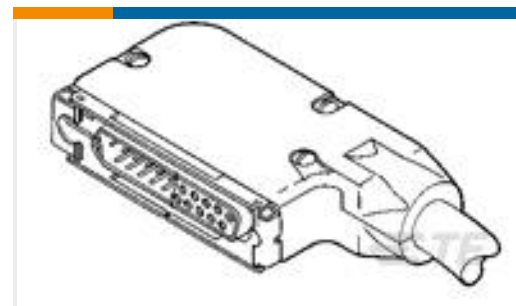
TE Part #5-1478762-1
Metal backshell 9 way Top Entry-KIT



TE Part #5745173-1
CABLE CLAMP KIT,SZ 3



TE Part #5-1478762-3
Metal backshell 25 way Top Ent



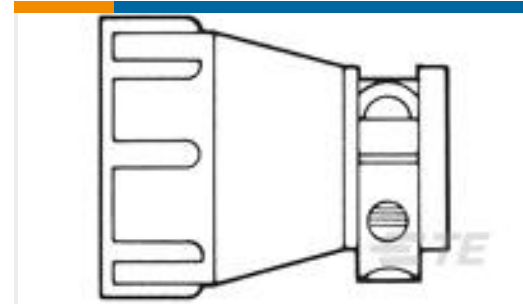
TE Part #5745653-3
DIECAST STRAIN RELIEF KIT,SZ 3



TE Part #66100-6
III+ SKT,18-16,30AU>10,STRIP



TE Part #1658656-1
KIT,HDP-20,ENCLSUR,RCPT,SIZE 2



TE Part #1-206070-0
CABLE CLAMP KIT, BULK PKG

Documents

Product Drawings

[KIT,RCPT,15P,HDP-20,SHLD HDWRE](#)

English

CAD Files

[3D PDF](#)

3D

Customer View Model

[ENG_CVM_CVM_5787908-1_O.2d_dxf.zip](#)

English

Customer View Model

[ENG_CVM_CVM_5787908-1_O.3d_igs.zip](#)

English

Customer View Model

[ENG_CVM_CVM_5787908-1_O.3d_stp.zip](#)

English

By downloading the CAD file I accept and agree to the [Terms and Conditions](#) of use.

Datasheets & Catalog Pages

[AMPLIMITE Subminiature D Connectors - Cable Connectors](#)

English

[AMPLIMITE Cable Connectors and Shielding Hardware Kits QRG](#)

English

Product Specifications

[Application Specification](#)

English



Instruction Sheets

[Instruction Sheet \(U.S.\)](#)

English

Agency Approvals

[UL Report](#)

English