

SFR-1/2-0-SP ✓ ACTIVE

RAYCHEM | RAYCHEM SFR

TE Internal #: 5660034001

Black, 1.75:1, Single Wall Tubing, Shrinks To .287 in [7.3 mm],
Crosslinked Silicone Elastomer, .5 in [12.7 mm] Inner Diameter,
RAYCHEM SFR

[View on TE.com >](#)



Heat Shrink Tubing > Single Wall SFR: Heat Shrink Tubing, 1.75:1 Shrink Ratio



Primary Product Color: **Black**

Wall Type: **Single Wall**

Expanded Inside Diameter (Min): **12.7 mm [.5 in]**

Recovered Inside Diameter (Max): **7.3 mm [.287 in]**

Shrink Ratio: **1.75:1**

[All Single Wall SFR: Heat Shrink Tubing, 1.75:1 Shrink Ratio \(13\)](#)

Features

Product Type Features

Wall Type	Single Wall
-----------	-------------

Electrical Characteristics

Operating Voltage (Max)	.6 kV
-------------------------	-------

Body Features

Fluid Type	Aviation Fuel, Brake Fluid, Hydraulic Fluid, Lubricating Oil, Water
Primary Product Color	Black
Shrink Ratio	1.75:1
Primary Product Material	Crosslinked Silicone Elastomer
Flexibility	Very Flexible

Dimensions

Recovered Wall Thickness (Nominal)	1.21 mm[.048 in]
Expanded Inside Diameter (Min)	12.7 mm[.5 in]
Recovered Inside Diameter (Max)	7.3 mm[.287 in]

Usage Conditions

Shrink Temperature (Min)	175 °C
Tubing Flammability Type	Flame-Retardant



Operating Temperature Range	-75 – 180 °C
-----------------------------	--------------

Recovery Temperature	175 °C
----------------------	--------

Operation/Application

Mechanical Resistance	Fluids, Strain Relief
-----------------------	-----------------------

Product Availability

Applicable Region	Worldwide
-------------------	-----------

Packaging Features

Packaging Method	Piece
------------------	-------

Other

Meets Low Outgassing Requirements	No
-----------------------------------	----

Product Source	US
----------------	----

Product Compliance

[For compliance documentation, visit the product page on TE.com>](#)

EU RoHS Directive 2011/65/EU	Compliant
------------------------------	-----------

EU ELV Directive 2000/53/EC	Compliant
-----------------------------	-----------

China RoHS 2 Directive MIIT Order No 32, 2016	No Restricted Materials Above Threshold
---	---

EU REACH Regulation (EC) No. 1907/2006	<p>Current ECHA Candidate List: JUNE 2023 (235)</p> <p>Candidate List Declared Against: JUNE 2023 (235)</p> <p>SVHC > Threshold:</p> <p>Octamethylcyclotetrasiloxane (D4) (.24%)</p> <p>Article Safe Usage Statements: Wash thoroughly after handling. Recycle if possible and dispose of the article by following all applicable governmental regulations relevant to your geographic location.</p>
--	--

Halogen Content	Low Bromine/Chlorine - Br and Cl < 900 ppm per homogenous material. Also BFR /CFR/PVC Free
-----------------	--

Solder Process Capability	Not applicable for solder process capability
---------------------------	--

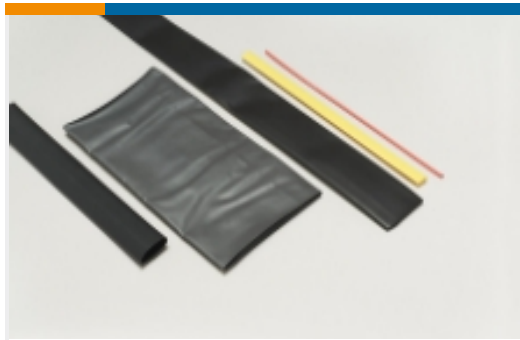
Product Compliance Disclaimer

This information is provided based on reasonable inquiry of our suppliers and represents our current actual knowledge based on the information they provided. This information is subject to change. The part numbers that TE has identified as EU RoHS compliant have a maximum concentration of 0.1% by weight in homogenous materials for lead, hexavalent chromium, mercury, PBB, PBDE, DBP, BBP, DEHP, DIBP, and 0.01% for cadmium, or qualify for an exemption to these limits as defined in the Annexes of Directive 2011/65/EU (RoHS2). Finished electrical and electronic equipment products will be CE marked as required by Directive 2011/65/EU. Components may not be CE marked. Additionally, the part numbers that TE has identified as EU ELV compliant have a maximum concentration of 0.1% by weight in homogenous materials for lead, hexavalent chromium, and mercury, and 0.01% for cadmium, or qualify for an exemption to these limits as defined in the Annexes of Directive 2000/53/EC (ELV). Regarding the REACH Regulation, the information TE provides on SVHC in articles for this part number is based on the latest European Chemicals Agency (ECHA) 'Guidance on



requirements for substances in articles' posted at this URL: <https://echa.europa.eu/guidance-documents/guidance-on-reach>

Also in the Series | RAYCHEM SFR

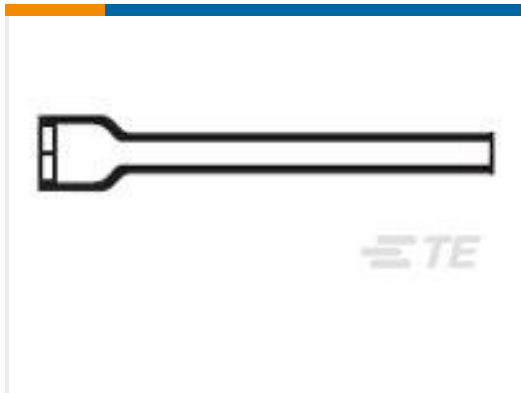


Heat Shrink Tubing(8)

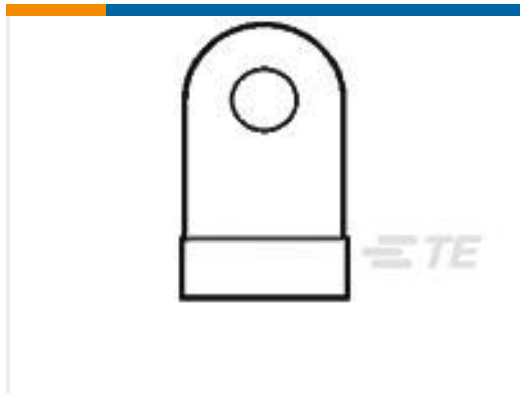
Customers Also Bought



TE Part #2213800-1
COOLSPLICE NEW STANDARD



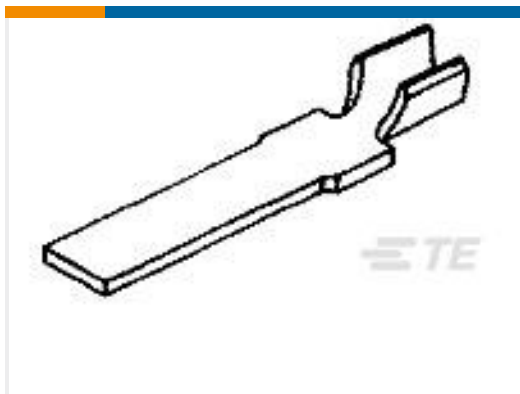
TE Part #057837-000
202F221-51/164-0



TE Part #36270
TERMINAL,SOLIS FLAG R 12-10 8



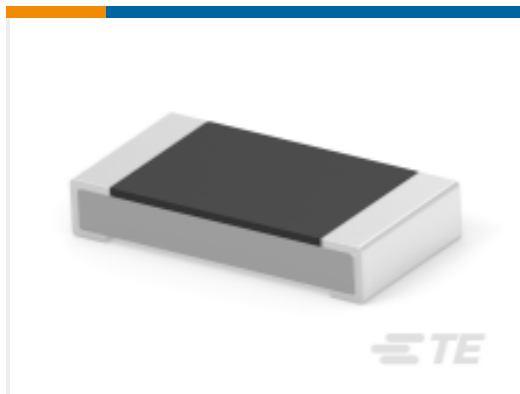
TE Part #650126-000
D-436-82



TE Part #62827-1
WELD TAB 24-22 AWG SST



TE Part #YDTS33W25RV0010000
DUST COVER ASSEM



TE Part #3-2176392-0
RQ 1206 267K 0.1% 10PPM 5K RL



TE Part #Y72539-21-11PNV004
HERM RECP

Documents

Product Drawings

[SFR-1/2-0-SP](#)

English

Datasheets & Catalog Pages

[raychem-tubing-product-selection-guide](#)

English

[1654025_Sec3_SFR](#)

English

Product Specifications

[Product Specification](#)



English

Product Environmental Compliance

Safety Datasheet

German

Safety Datasheet

Safety Datasheet

Safety Datasheet

French

Safety Datasheet

Safety Datasheet

Safety Datasheet

Safety Datasheet

Safety Datasheet

English

Safety Datasheet

English