

5645994-1 ✓ ACTIVE

TE Internal #: 5645994-1

Pin Sockets, Socket Length 6.53 mm [.257 in], PCB Hole Diameter .

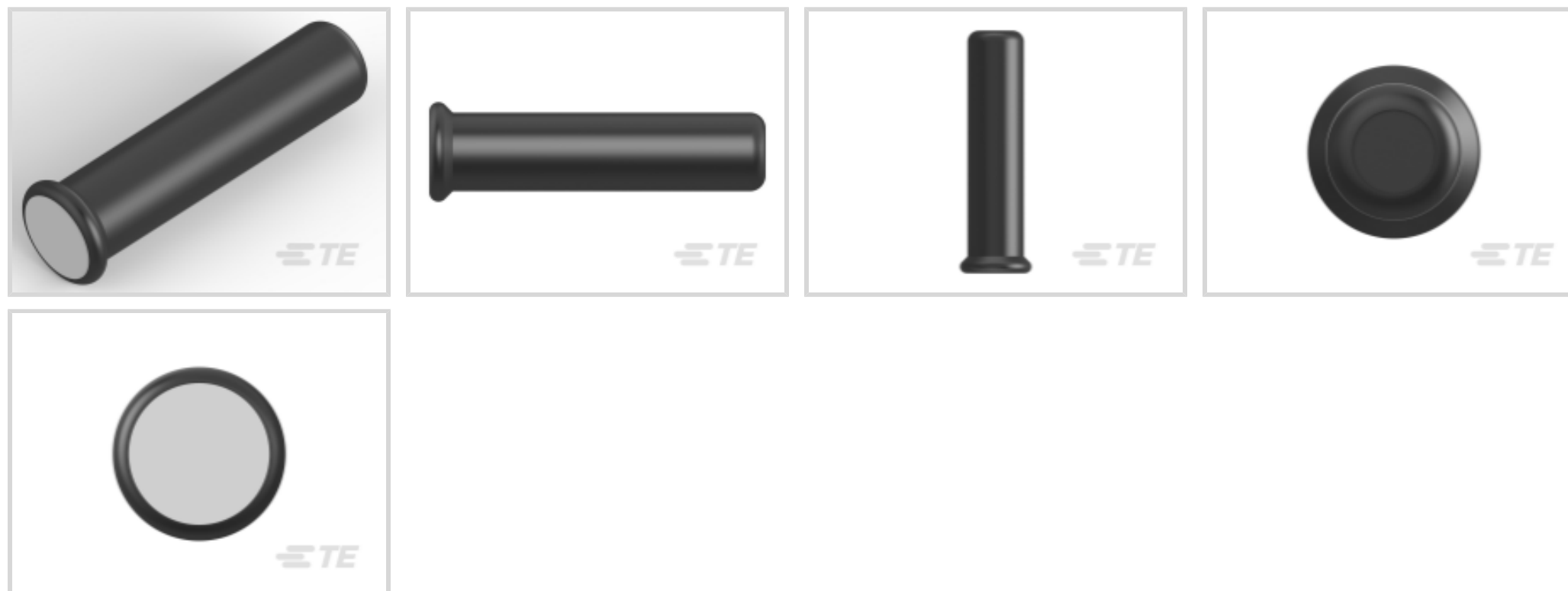
062 in [1.57 mm], Closed, .326 – .518 mm² Wire Size, 22 – 20 AWG

Wire Size

[View on TE.com >](#)



Connectors > Socket Connectors > Pin Sockets > Miniature Spring Sockets: Closed Bottom, Beryllium Copper, 5A



Socket Length: 6.53 mm [.257 in]

PCB Hole Diameter: 1.57 mm [.062 in]

Socket Sleeve Style: Closed

Wire Size: .326 – .518 mm²

[All Miniature Spring Sockets: Closed Bottom, Beryllium Copper, 5A \(11\)](#)

Features

Product Type Features

Socket Sleeve Style	Closed
Connector System	Cable-to-Board
Sealable	No
Connector & Contact Terminates To	Printed Circuit Board

Configuration Features

Compatible With Wire & Cable Type	Discrete Wire
-----------------------------------	---------------

Body Features

Sleeve Material	Copper
Sleeve Plating Material	Tin

Contact Features

Contact Spring Plating Material	Gold
Contact Spring Plating Thickness	.762 μm[30 μin]
Contact Mating Area Plating Material Thickness	30 μm[30 μin]
Contact Base Material	Beryllium Copper



Contact Current Rating (Max)	5 A
------------------------------	-----

Termination Features

Insertion Method	Hand/Semi-Automatic
Termination Method to Printed Circuit Board	Through Hole - Press-Fit
Termination Method to Wire & Cable	Solder

Dimensions

PCB Thickness (Recommended)	.79 – 3.18 mm [.031 – .125 in]
Socket Length	6.53 mm [.257 in]
PCB Hole Diameter	1.57 mm [.062 in]
Wire Size	.326 – .518 mm ²
Mating Pin Diameter Range	.66 – .84 mm [.026 – .033 in]

Usage Conditions

Operating Temperature Range	-65 – 125 °C [-85 – 257 °F]
-----------------------------	-----------------------------

Operation/Application

Solder Process Feature	Anti-Flux
Circuit Application	Power & Signal

Packaging Features

Packaging Quantity	10000
Packaging Method	Carrier Tape, Reel

Other

Spring Material	Beryllium Copper
-----------------	------------------

Product Compliance

[For compliance documentation, visit the product page on TE.com>](#)

EU RoHS Directive 2011/65/EU	Compliant
EU ELV Directive 2000/53/EC	Compliant
China RoHS 2 Directive MIIT Order No 32, 2016	No Restricted Materials Above Threshold
EU REACH Regulation (EC) No. 1907/2006	Current ECHA Candidate List: JUNE 2023 (235) Candidate List Declared Against: JUNE 2023 (235) SVHC > Threshold: Octamethylcyclotetrasiloxane (D4) (2% in Component Part) <small>Article Safe Usage Statements:</small>



Wash thoroughly after handling. Recycle if possible and dispose of the article by following all applicable governmental regulations relevant to your geographic location.

Halogen Content	Low Halogen - Br, Cl, F, I < 900 ppm per homogenous material. Also BFR/CFR/PVC Free
Solder Process Capability	Pin-in-Paste capable to 260°C

Product Compliance Disclaimer

This information is provided based on reasonable inquiry of our suppliers and represents our current actual knowledge based on the information they provided. This information is subject to change. The part numbers that TE has identified as EU RoHS compliant have a maximum concentration of 0.1% by weight in homogenous materials for lead, hexavalent chromium, mercury, PBB, PBDE, DBP, BBP, DEHP, DIBP, and 0.01% for cadmium, or qualify for an exemption to these limits as defined in the Annexes of Directive 2011/65/EU (RoHS2). Finished electrical and electronic equipment products will be CE marked as required by Directive 2011/65/EU. Components may not be CE marked. Additionally, the part numbers that TE has identified as EU ELV compliant have a maximum concentration of 0.1% by weight in homogenous materials for lead, hexavalent chromium, and mercury, and 0.01% for cadmium, or qualify for an exemption to these limits as defined in the Annexes of Directive 2000/53/EC (ELV). Regarding the REACH Regulation, the information TE provides on SVHC in articles for this part number is based on the latest European Chemicals Agency (ECHA) 'Guidance on requirements for substances in articles' posted at this URL: <https://echa.europa.eu/guidance-documents/guidance-on-reach>

Compatible Parts



TE Part # 645994-1
MSS ASSY SERIES 3 W/SEALANT

Customers Also Bought



TE Part #5745782-6
15 MSFL RCPT RA 318 (SL,FM)



TE Part #5747871-4
09 PLUG SP/FMS STD



TE Part #1-770972-1
12P MINI UMNL R/A HDR ASSY LF



TE Part #1-770967-1
03P MINI UMNL R/A HDR ASSY AU



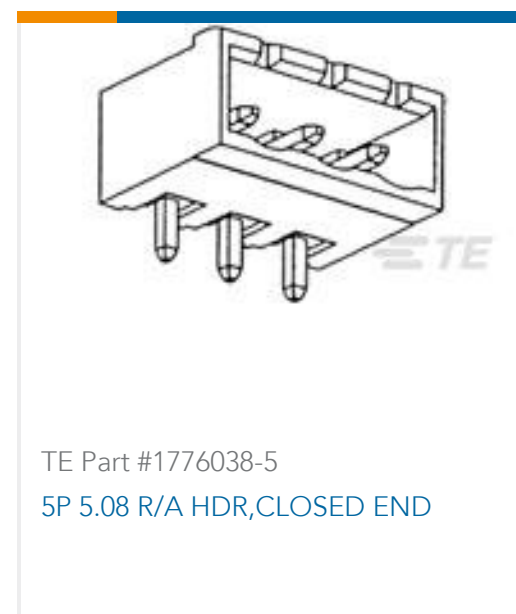
TE Part #3-794620-8
08P MICRO MNL ASSY,R/A,HDR,LF



TE Part #5-103904-4
5 MTE HDR SRRA LATCH W/HLDWN



TE Part #5-147278-1
02 MTE HDR SRRA SFMNT .100CL



TE Part #1776038-5
5P 5.08 R/A HDR,CLOSED END



TE Part #5745183-2
09 RCPT SP/MS STD



TE Part #5-103908-7
08 MTE HDR SRST LATCH W/HLDWN

Documents

Product Drawings

MSS ASSY SERIES 3 W/SEALANT

English

CAD Files

3D PDF

3D

Customer View Model

[ENG_CVM_CVM_5645994-1_O.2d_dxf.zip](#)

English

Customer View Model

[ENG_CVM_CVM_5645994-1_O.3d_igs.zip](#)

English

Customer View Model

[ENG_CVM_CVM_5645994-1_O.3d_stp.zip](#)

English

By downloading the CAD file I accept and agree to the [Terms and Conditions](#) of use.

Product Specifications

Product Specification

English