

NTFR-1/8-0-SP ✓ ACTIVE

RAYCHEM

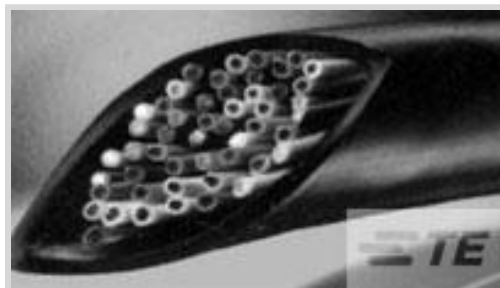
TE Internal #: 5603764002

Black, 1.75:1, Single Wall Tubing, Shrinks To .061 in [1.55 mm], Chlorinated Polyolefin, .125 in [3.18 mm] Inner Diameter, Flame-Retardant, Spool

[View on TE.com >](#)



Heat Shrink Tubing > Single Wall NTFR: Heat Shrink Tubing, 1.75:1 Shrink Ratio



Primary Product Color: **Black**

Wall Type: **Single Wall**

Expanded Inside Diameter (Min): **3.18 mm [.125 in]**

Recovered Inside Diameter (Max): **1.55 mm [.061 in]**

Shrink Ratio: **1.75:1**

[All Single Wall NTFR: Heat Shrink Tubing, 1.75:1 Shrink Ratio \(14\)](#)

Features

Product Type Features

Wall Type	Single Wall
-----------	-------------

Body Features

Fluid Type	Aviation Fuel, Brake Fluid, Chemicals /Solvents, De-Icing Fluid, Diesel Fuel, Hydraulic Fluid, Lubricating Oil, Water
Material Systems Code	20
Primary Product Color	Black
Shrink Ratio	1.75:1
Primary Product Material	Chlorinated Polyolefin
Flexibility	Very Flexible

Dimensions

Recovered Wall Thickness (Tolerance)	.43 mm[.017 in]
Recovered Wall Thickness (Nominal)	.69 mm[.027 in]
Expanded Inside Diameter (Min)	3.18 mm[.125 in]
Recovered Inside Diameter (Max)	1.55 mm[.061 in]
Tubing Size Range	1.55 – 3.18 mm[.061 – .125 in]

Usage Conditions



Shrink Temperature (Min)	90 °C
Tubing Flammability Type	Flame-Retardant
Operating Temperature Range	-70 – 121 °C
Recovery Temperature	135 °C

Operation/Application

Mechanical Resistance	Abrasion, Fluids, Mechanical Damage, Strain Relief
-----------------------	--

Product Availability

Applicable Region	Worldwide
-------------------	-----------

Packaging Features

Packaging Method	Spool
------------------	-------

Other

Meets Low Outgassing Requirements	No
Product Source	US

Product Compliance

[For compliance documentation, visit the product page on TE.com>](#)

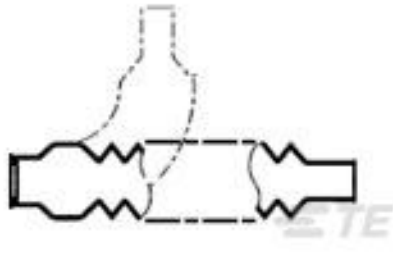
EU RoHS Directive 2011/65/EU	Compliant
EU ELV Directive 2000/53/EC	Compliant
China RoHS 2 Directive MIIT Order No 32, 2016	No Restricted Materials Above Threshold
EU REACH Regulation (EC) No. 1907/2006	Current ECHA Candidate List: JUNE 2023 (235) Candidate List Declared Against: JUNE 2023 (235) Does not contain REACH SVHC
Halogen Content	Out of Scope - excluded from Halogen requirements
Solder Process Capability	Not applicable for solder process capability

Product Compliance Disclaimer

This information is provided based on reasonable inquiry of our suppliers and represents our current actual knowledge based on the information they provided. This information is subject to change. The part numbers that TE has identified as EU RoHS compliant have a maximum concentration of 0.1% by weight in homogenous materials for lead, hexavalent chromium, mercury, PBB, PBDE, DBP, BBP, DEHP, DIBP, and 0.01% for cadmium, or qualify for an exemption to these limits as defined in the Annexes of Directive 2011/65/EU (RoHS2). Finished electrical and electronic equipment products will be CE marked as required by Directive 2011/65/EU. Components may not be CE marked. Additionally, the part numbers that TE has identified as EU ELV compliant have a maximum concentration of 0.1% by weight in homogenous materials for lead, hexavalent chromium, and mercury, and 0.01% for cadmium, or qualify for an exemption to these limits as defined in the Annexes of Directive 2000/53/EC (ELV). Regarding the REACH Regulation, the information TE provides on SVHC in articles for this part number is based on the latest European Chemicals Agency (ECHA) 'Guidance on

requirements for substances in articles' posted at this URL: <https://echa.europa.eu/guidance-documents/guidance-on-reach>

Customers Also Bought



TE Part #806087-000
202C611-71-0



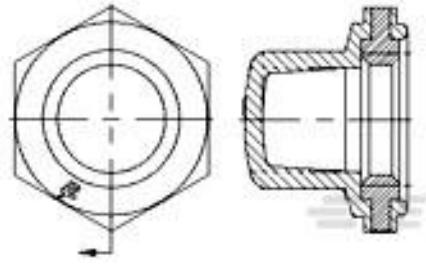
TE Part #6614114002
NTFR-3/8-0-SP




TE Part #6609068-2
16AYA6A=F7745A




TE Part #2-5767004-7
MICTOR RECEIPT ASSY, 228 POS.



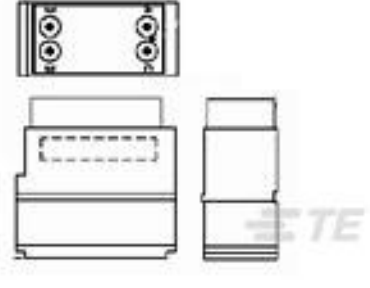
TE Part #1825615-1
BP1048004=Boot,Pushbutton



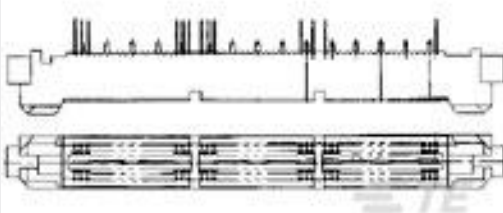
TE Part #442055-000
D-436-0154



TE Part #5134530001
TMS-SCE-1-2.0-S1-9



TE Part #591833-1
TJ F/B 20E09-653



TE Part #767006-6
MICT,R/APLUG,228,ASY,.025,.062

Documents

Product Drawings

[NTFR-1/8-0-SP](#)

English

Datasheets & Catalog Pages

[raychem-tubing-product-selection-guide](#)

English

[NTFR Pages from 9-1773447-9](#)

English

[1654025_Sec3_NTFR](#)

English

Product Specifications

[Product Specification](#)



English

Product Environmental Compliance

Safety Datasheet

English

Safety Datasheet

English

Safety Datasheet

German

Safety Datasheet

Safety Datasheet

Safety Datasheet

French

Safety Datasheet

Safety Datasheet

Safety Datasheet

Safety Datasheet