



PLASTI-GRIP

TE Internal #: 55792-2

Splices, Butt Splice, 22 – 16 AWG Wire Size, .3 – 1.42 mm<sup>2</sup> Wire Size, Serrated, 509 – 3260 CMA Wire Size, Copper, PLASTI-GRIP

[View on TE.com >](#)

Terminals & Splices > Splices



Wire Size: .3 – 1.42 mm<sup>2</sup>

Sealable: No

Splice Features: **Serrated**

Compatible Insulation Diameter Range: 3.56 mm [ .14 in ]

**Features**

**Product Type Features**

Splice Accessory Type	Splice
Sealable	No
Splice Type	Butt Splice
Compatible With Discrete Wire Type	Solid, Stranded
Wire Insulation Support Retention Type	Insulation Support

**Configuration Features**

Compatible With Wire & Cable Type	Discrete Wire
-----------------------------------	---------------

**Body Features**

Product Weight	.358 g
Insulation Material	Vinyl
Splice Features	Serrated

**Contact Features**

	100 μin
Terminal Plating Material	Tin
Contact Base Material	Copper



Barrel Type	Closed
-------------	--------

### Mechanical Attachment

Wire Insulation Support	With
-------------------------	------

### Dimensions

Wire Size	509 – 3260 CMA
-----------	----------------

Compatible Insulation Diameter Range	3.56 mm[.14 in]
--------------------------------------	-----------------

Product Length	27.33 mm[1.076 in]
----------------	--------------------

### Usage Conditions

Insulation Option	Fully Insulated
-------------------	-----------------

Operating Temperature Range	105 °C[221 °F]
-----------------------------	----------------

### Operation/Application

Compatible With Wire Base Material	Copper
------------------------------------	--------

### Industry Standards

Government Qualified Splice	No
-----------------------------	----

### Packaging Features

Packaging Quantity	2500
--------------------	------

Packaging Method	Tape Mounted
------------------	--------------

### Other

Terminals & Splices Comment	Marking: Commercial 22-16- Military 22-18 in accordance with MIL-T-7928.
-----------------------------	--

### Product Compliance

[For compliance documentation, visit the product page on TE.com>](#)

EU RoHS Directive 2011/65/EU	Compliant
------------------------------	-----------

EU ELV Directive 2000/53/EC	Compliant
-----------------------------	-----------

China RoHS 2 Directive MIIT Order No 32, 2016	No Restricted Materials Above Threshold
---	---

EU REACH Regulation (EC) No. 1907/2006	Current ECHA Candidate List: JUNE 2023 (235) Candidate List Declared Against: JUNE 2023 (235) Does not contain REACH SVHC
--	---

Halogen Content	Not Low Halogen - contains Br or Cl > 900 ppm.
-----------------	--

Solder Process Capability	Not applicable for solder process capability
---------------------------	--

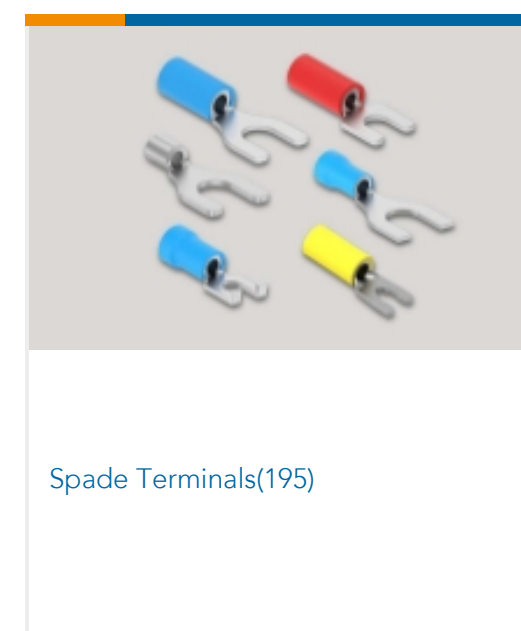
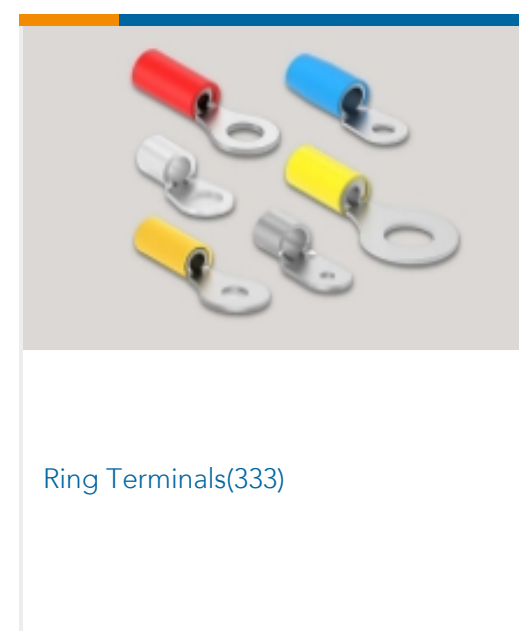
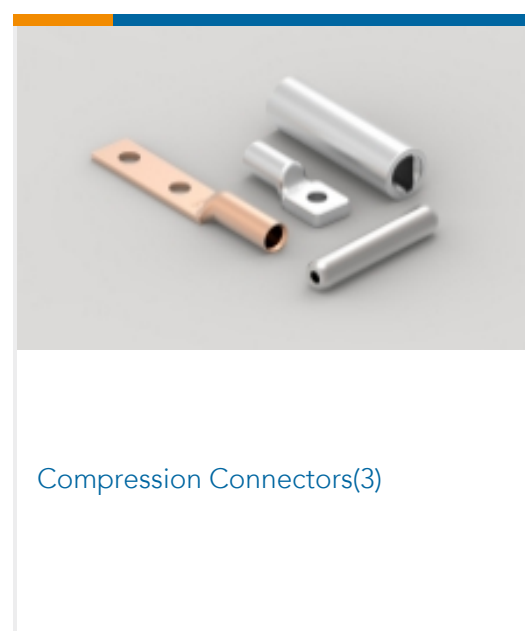
#### Product Compliance Disclaimer

This information is provided based on reasonable inquiry of our suppliers and represents our current actual knowledge based on the information they provided. This information is subject to change. The part numbers that TE has identified as EU RoHS compliant have a maximum concentration of 0.1% by weight in homogenous materials for lead, hexavalent chromium, mercury, PBB, PBDE, DBP, BBP, DEHP, DIBP, and 0.01% for cadmium, or qualify for an exemption to these limits as defined in the Annexes of Directive 2011/65/EU (RoHS2). Finished electrical and electronic equipment products will be CE marked as required by Directive 2011/65/EU. Components may not be CE marked. Additionally, the part numbers that TE has identified as EU ELV compliant have a maximum concentration of 0.1% by weight in homogenous materials for lead, hexavalent chromium, and mercury, and 0.01% for cadmium, or qualify for an exemption to these limits as defined in the Annexes of Directive 2000/53/EC (ELV). Regarding the REACH Regulation, the information TE provides on SVHC in articles for this part number is based on the latest European Chemicals Agency (ECHA) 'Guidance on requirements for substances in articles' posted at this URL: <https://echa.europa.eu/guidance-documents/guidance-on-reach>

## Compatible Parts



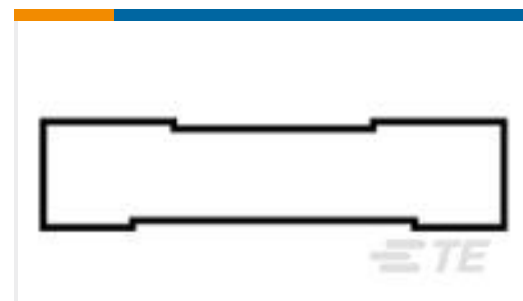
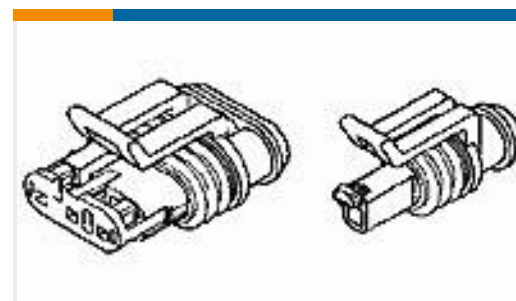
## Also in the Series | PLASTI-GRIP





Splices(50)

## Customers Also Bought

TE Part #1-487378-5  
016 HOUSING FFC RCPT 100CL SRTE Part #487117-4  
FFC RCPT HP 15AU RLTE Part #53880-4  
CONTACT,PWR LK,SRS2,LS PC,CRMPTE Part #3-520124-2  
187 ULTRA-FAST ASY REC 16-14 AWG  
TPBRTE Part #1-480709-0  
12P UMNL CAP HSG NATLTE Part #696010-2  
SPLICE BUTT PG 16-14/22-18TE Part #282088-2  
AMP SUPERSEAL 1.5 SERIES 4P PLTE Part #33463  
TERMINAL,SOLIS R 8 3/8TE Part #33220  
TERMINAL,SOLIS R 12-10 3/8TE Part #1062-12-0166  
SOC, SF, SIZE 12, 12-14, NI/SN

## Documents

### Product Drawings

[PG BUTT SPLC 22-16COMM22-18MIL](#)

English

### CAD Files

[3D PDF](#)

3D

[Customer View Model](#)

[ENG\\_CVM\\_CVM\\_55792-2\\_F.2d\\_dxf.zip](#)



English

**Customer View Model**

[ENG\\_CVM\\_CVM\\_55792-2\\_F.3d\\_igs.zip](#)

English

**Customer View Model**

[ENG\\_CVM\\_CVM\\_55792-2\\_F.3d\\_stp.zip](#)

English

**Customer View Model**

[ENG\\_CVM\\_55792-2\\_E.3d\\_igs.zip](#)

English

**Customer View Model**

[ENG\\_CVM\\_55792-2\\_E.3d\\_stp.zip](#)

English

**Customer View Model**

[ENG\\_CVM\\_55792-2\\_E.2d\\_dxf.zip](#)

English

**3D PDF**

English

By downloading the CAD file I accept and agree to the [Terms and Conditions](#) of use.

---

### Product Specifications

[Application Specification](#)

English

---

### Agency Approvals

[UL Report](#)

English