

557313-1 ✓ ACTIVE

AMP

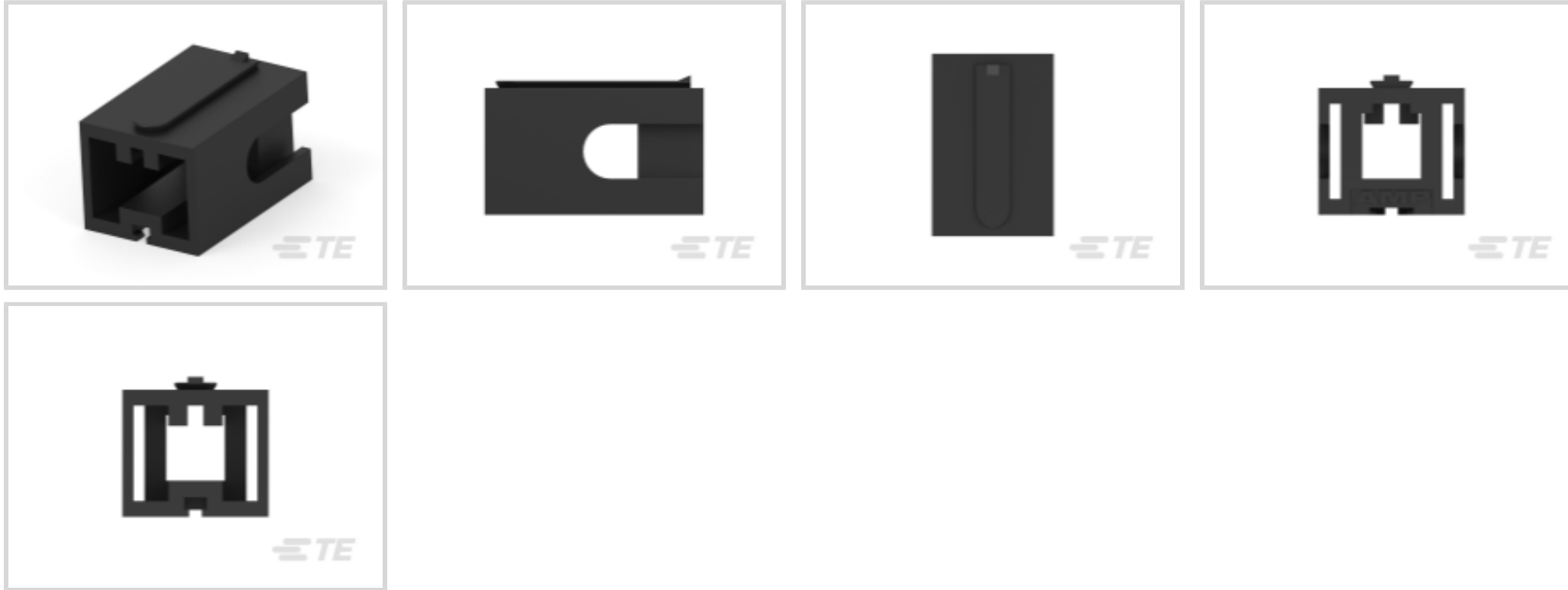
TE Internal #: 557313-1

Rectangular Connector Adapters, Panel Mount Adapter, UL 94V-0,  
32 – 221 °F [0 – 105 °C]

[View on TE.com >](#)



Connectors > Rectangular Connectors > Rectangular Connector Accessories > Rectangular Connector Adapters



Connector Mounting Accessory Type: **Panel Mount Adapter**

UL Flammability Rating: **UL 94V-0**

Number of Positions: **1**

Operating Temperature Range: **0 – 105 °C [32 – 221 °F]**

## Features

### Product Type Features

Connector Mounting Accessory Type	Panel Mount Adapter
-----------------------------------	---------------------

### Configuration Features

Number of Positions	1
---------------------	---

### Body Features

Primary Product Color	Black
-----------------------	-------

### Mechanical Attachment

Thread Size	8-32 UNC-2A
-------------	-------------

### Usage Conditions

Operating Temperature Range	0 – 105 °C[32 – 221 °F]
-----------------------------	-------------------------

### Industry Standards

UL Flammability Rating	UL 94V-0
------------------------	----------

## Product Compliance

[For compliance documentation, visit the product page on TE.com>](#)

EU RoHS Directive 2011/65/EU	Compliant
EU ELV Directive 2000/53/EC	Compliant
China RoHS 2 Directive MIIT Order No 32, 2016	No Restricted Materials Above Threshold
EU REACH Regulation (EC) No. 1907/2006	Current ECHA Candidate List: JUNE 2023 (235) Candidate List Declared Against: JUNE 2023 (235) Does not contain REACH SVHC
Halogen Content	Not Low Halogen - contains Br or Cl > 900 ppm.
Solder Process Capability	Not applicable for solder process capability

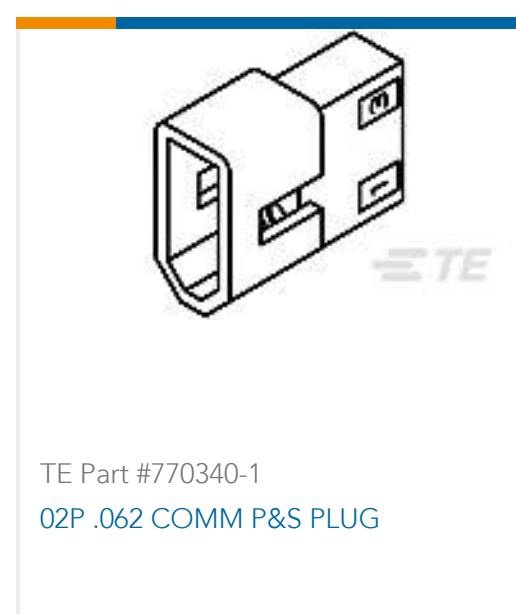
#### Product Compliance Disclaimer

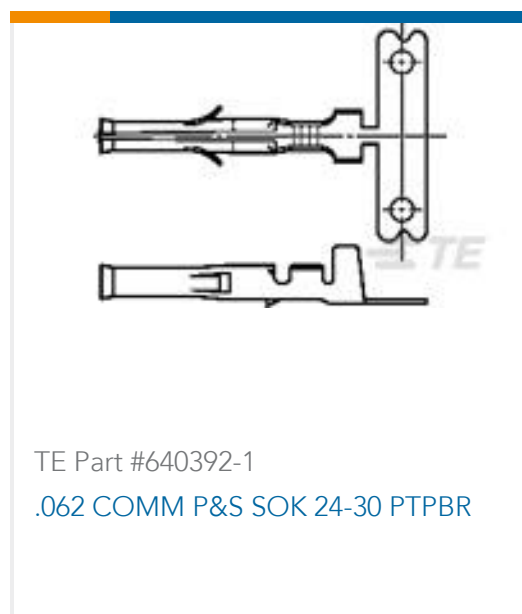
This information is provided based on reasonable inquiry of our suppliers and represents our current actual knowledge based on the information they provided. This information is subject to change. The part numbers that TE has identified as EU RoHS compliant have a maximum concentration of 0.1% by weight in homogenous materials for lead, hexavalent chromium, mercury, PBB, PBDE, DBP, BBP, DEHP, DIBP, and 0.01% for cadmium, or qualify for an exemption to these limits as defined in the Annexes of Directive 2011/65/EU (RoHS2). Finished electrical and electronic equipment products will be CE marked as required by Directive 2011/65/EU. Components may not be CE marked. Additionally, the part numbers that TE has identified as EU ELV compliant have a maximum concentration of 0.1% by weight in homogenous materials for lead, hexavalent chromium, and mercury, and 0.01% for cadmium, or qualify for an exemption to these limits as defined in the Annexes of Directive 2000/53/EC (ELV). Regarding the REACH Regulation, the information TE provides on SVHC in articles for this part number is based on the latest European Chemicals Agency (ECHA) 'Guidance on requirements for substances in articles' posted at this URL: <https://echa.europa.eu/guidance-documents/guidance-on-reach>

## Compatible Parts



## Customers Also Bought





## Documents

### Product Drawings

[MOUNTING ADAPTR,AMPINNERGY WTW](#)

English

### CAD Files

Customer View Model

[ENG\\_CVM\\_CVM\\_557313-1\\_B1.3d\\_igs.zip](#)

English

Customer View Model

[ENG\\_CVM\\_CVM\\_557313-1\\_B1.3d\\_stp.zip](#)

English

Customer View Model

[ENG\\_CVM\\_CVM\\_557313-1\\_B1.2d\\_dxf.zip](#)

English

**3D PDF**

3D

Customer View Model

[ENG\\_CVM\\_557313-1\\_A.3d\\_igs.zip](#)

English

Customer View Model

[ENG\\_CVM\\_557313-1\\_A.3d\\_stp.zip](#)

English

Customer View Model

[ENG\\_CVM\\_557313-1\\_A.2d\\_dxf.zip](#)

English

**3D PDF**

English



By downloading the CAD file I accept and agree to the [Terms and Conditions](#) of use.

---

### Datasheets & Catalog Pages

[1654742\\_HOUSEHOLD\\_APPLIANCES\\_RAST5](#)

English

[POWER\\_CONNECTORS\\_CATALOG\\_SEC02\\_CABLE\\_MOUNTED](#)

English

---

### Product Specifications

[Application Specification](#)

English

---

### Product Environmental Compliance

[MD\\_557313-1\\_0630201406\\_dmtec](#)

English

[MD\\_557313-1\\_0630201406\\_dmtec](#)

English