



AMP

TE Internal #: 556137-2

Rectangular Power Connectors, Housing, Plug / Receptacle, Wire-to-Wire / Wire-to-Panel, 1 Position, Wire & Cable, UL 94V-0

[View on TE.com >](#)

Connectors > Power Connectors > Rectangular Power > Rectangular Power Connectors



Rectangular Power Connector Type: **Housing**

Connector & Housing Type: **Plug, Receptacle**

Connector System: **Wire-to-Panel, Wire-to-Wire**

Number of Positions: **1**

Sealable: **No**

Features

Product Type Features

Rectangular Power Connector Type	Housing
Connector & Housing Type	Plug, Receptacle
Connector System	Wire-to-Panel, Wire-to-Wire
Sealable	No
Connector & Contact Terminates To	Wire & Cable

Configuration Features

Number of Positions	1
Number of Power Positions	1
Number of Signal Positions	0
Number of Rows	1

Electrical Characteristics

Operating Voltage	600 VDC
-------------------	---------

Contact Features

Contact Mating Area Plating Material	Tin
--------------------------------------	-----



Contact Current Rating (Max)	55 A
Contact Retention Within Housing	With
Contact Type	Receptacle
Wire Contact Termination Area Plating Material	Pre-Tin
Contact Mating Area Plating Material Thickness	2.54 – 2.55 μm [101 – 100 μin]

Termination Features

Termination Method to Wire & Cable	Crimp
------------------------------------	-------

Mechanical Attachment

Mating Alignment Type	Keyed
Mating Retention	Without
Mating Alignment	With
Panel Mount Feature	With
PCB Mount Retention	Without
Panel Mount Feature Type	Mounting Adapters
Connector Mounting Type	Cable Mount (Free-Hanging)

Housing Features

Housing Color	Black
Housing Material	Polycarbonate

Dimensions

Connector Height	9.91 mm[.39 in]
Product Width	9.9 mm[.39 in]
Product Length	36.83 mm[1.45 in]
Compatible Insulation Diameter Range	1.02 – 25.91 mm[.04 – 1.02 in]
Wire Size	1600.53 – 12066.13 CMA

Usage Conditions

Operating Temperature Range	0 – 105 $^{\circ}\text{C}$ [32 – 221 $^{\circ}\text{F}$]
-----------------------------	---

Operation/Application

Circuit Application	Power
---------------------	-------

Industry Standards

CSA Rating	Certified, LR 7189
UL Rating	Recognized
Agency/Standard	CSA, UL, VDE



Approved Standards	UL E28483
UL Flammability Rating	UL 94V-0
Glow Wire Rating	Standard Part - Not Glow Wire

Packaging Features

Packaging Method	Loose Piece
------------------	-------------

Product Compliance

[For compliance documentation, visit the product page on TE.com>](#)

EU RoHS Directive 2011/65/EU	Compliant
EU ELV Directive 2000/53/EC	Compliant
China RoHS 2 Directive MIIT Order No 32, 2016	No Restricted Materials Above Threshold
EU REACH Regulation (EC) No. 1907/2006	Current ECHA Candidate List: JUNE 2023 (235) Candidate List Declared Against: JUNE 2023 (235) Does not contain REACH SVHC
Halogen Content	Not Low Halogen - contains Br or Cl > 900 ppm.
Solder Process Capability	Not applicable for solder process capability

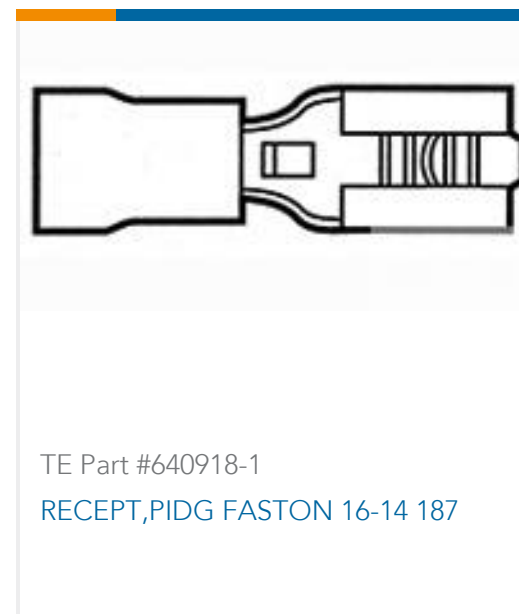
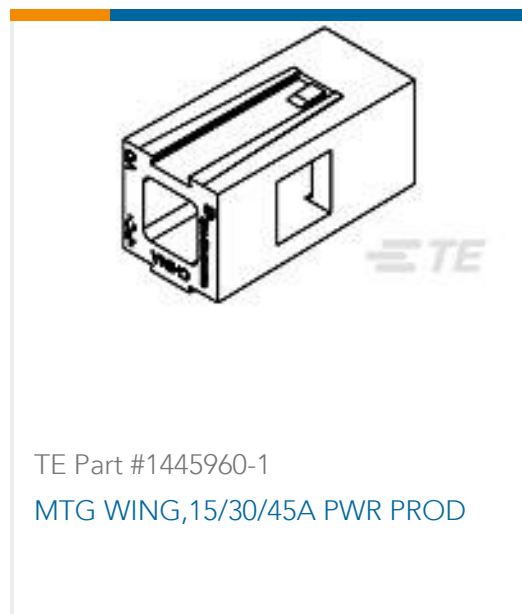
Product Compliance Disclaimer

This information is provided based on reasonable inquiry of our suppliers and represents our current actual knowledge based on the information they provided. This information is subject to change. The part numbers that TE has identified as EU RoHS compliant have a maximum concentration of 0.1% by weight in homogenous materials for lead, hexavalent chromium, mercury, PBB, PBDE, DBP, BBP, DEHP, DIBP, and 0.01% for cadmium, or qualify for an exemption to these limits as defined in the Annexes of Directive 2011/65/EU (RoHS2). Finished electrical and electronic equipment products will be CE marked as required by Directive 2011/65/EU. Components may not be CE marked. Additionally, the part numbers that TE has identified as EU ELV compliant have a maximum concentration of 0.1% by weight in homogenous materials for lead, hexavalent chromium, and mercury, and 0.01% for cadmium, or qualify for an exemption to these limits as defined in the Annexes of Directive 2000/53/EC (ELV). Regarding the REACH Regulation, the information TE provides on SVHC in articles for this part number is based on the latest European Chemicals Agency (ECHA) 'Guidance on requirements for substances in articles' posted at this URL: <https://echa.europa.eu/guidance-documents/guidance-on-reach>

Compatible Parts



Customers Also Bought



Documents

Product Drawings

HSG,AMPINNERGY WTW,1 POS,BLACK

English

CAD Files

3D PDF

3D

Customer View Model

ENG_CVM_CVM_556137-2_J.2d_dxf.zip



English

Customer View Model

[ENG_CVM_CVM_556137-2_J.3d_igs.zip](#)

English

Customer View Model

[ENG_CVM_CVM_556137-2_J.3d_stp.zip](#)

English

3D PDF

English

Customer View Model

[ENG_CVM_556137-2_B.2d_dxf.zip](#)

English

Customer View Model

[ENG_CVM_556137-2_B.3d_igs.zip](#)

English

Customer View Model

[ENG_CVM_556137-2_B.3d_stp.zip](#)

English

By downloading the CAD file I accept and agree to the [Terms and Conditions](#) of use.

Datasheets & Catalog Pages

[POWER_CONNECTORS_CATALOG_SEC02_CABLE_MOUNTED](#)

English

Product Specifications

[Application Specification](#)

English

[Application Specification](#)

English

Product Environmental Compliance

[MD_556137-2_0630201402_dmtec](#)

English

[MD_556137-2_0630201402_dmtec](#)

English

Instruction Sheets

[AMPINNERGY Wire-to-Wire Stackable Connectors](#)

English

[Instruction Sheet \(U.S.\)](#)

English

Agency Approvals

[Agency Approval Document](#)

English

556137-2

Rectangular Power Connectors, Housing, Plug / Receptacle, Wire-to-Wire / Wire-to-Panel, 1 Position, Wire & Cable, UL 94V-0

