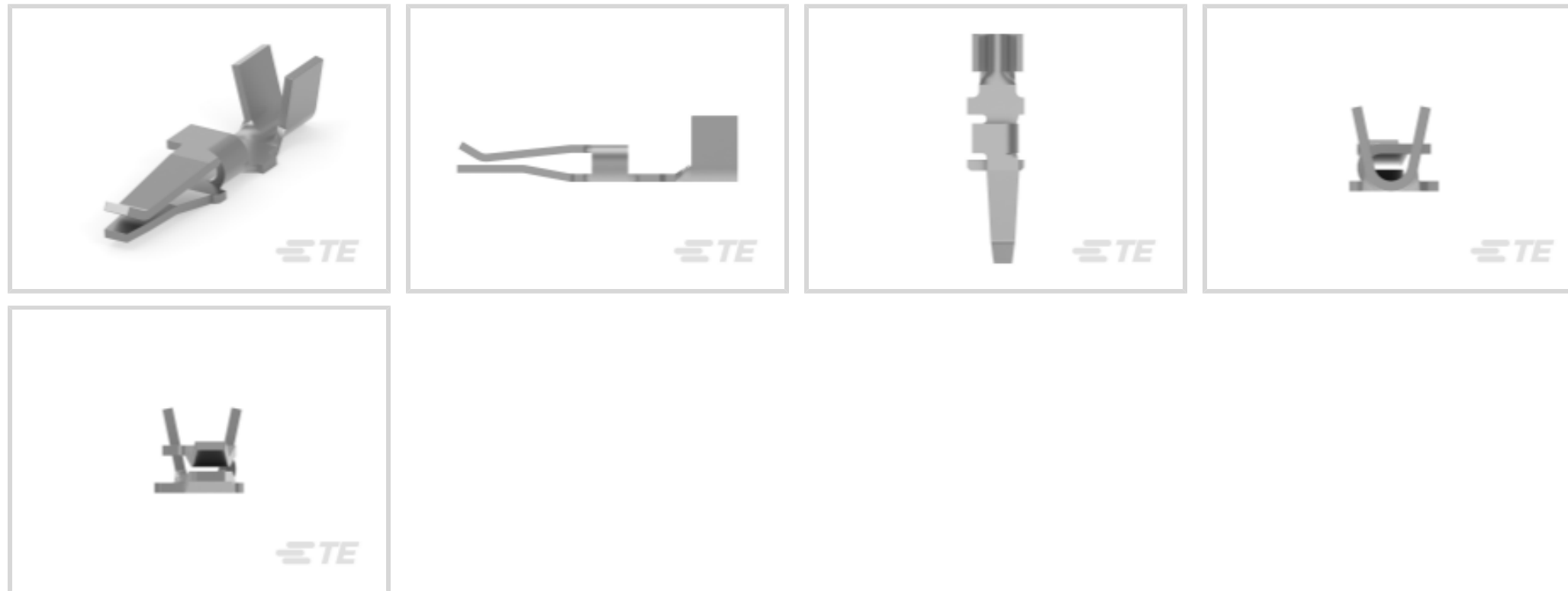




Connectors > Rectangular Connectors > Connector Contacts



Contact Type: **Receptacle**

Contact Mating Area Plating Material: **Tin**

Wire Contact Termination Area Plating Material: **Tin**

Operating Voltage: **600 VDC**

## Features

### Product Type Features

Connector & Contact Terminates To	Wire & Cable
-----------------------------------	--------------

### Configuration Features

Compatible With Wire & Cable Type	Discrete Wire
-----------------------------------	---------------

### Electrical Characteristics

Operating Voltage	600 VDC
-------------------	---------

### Contact Features

Wire Contact Termination Area Plating Thickness	2.54 μm[100 μin]
Contact Mating Area Plating Material Thickness	2.54 μm[100 μin]
Contact Length	27 mm[1.063 in]
Barrel Type	Open
Contact Type	Receptacle
Contact Mating Area Plating Material	Tin
Wire Contact Termination Area Plating Material	Tin
Contact Retention Within Housing	Without
Contact Base Material	Copper Alloy



Contact Current Rating (Max)	55 A
------------------------------	------

### Termination Features

Termination Method to Wire & Cable	Crimp
------------------------------------	-------

### Dimensions

Wire Size	6530 – 10383 CMA
-----------	------------------

### Usage Conditions

Operating Temperature Range	0 – 105 °C[32 – 221 °F]
-----------------------------	-------------------------

### Operation/Application

Circuit Application	Power
---------------------	-------

### Industry Standards

UL Rating	Recognized
-----------	------------

Agency/Standard	UL
-----------------	----

UL Flammability Rating	UL 94V-0
------------------------	----------

### Packaging Features

Packaging Quantity	2000
--------------------	------

Packaging Method	Strip
------------------	-------

### Product Compliance

[For compliance documentation, visit the product page on TE.com>](#)

EU RoHS Directive 2011/65/EU	Compliant
------------------------------	-----------

EU ELV Directive 2000/53/EC	Compliant
-----------------------------	-----------

China RoHS 2 Directive MIIT Order No 32, 2016	No Restricted Materials Above Threshold
---	---

EU REACH Regulation (EC) No. 1907/2006	Current ECHA Candidate List: JUNE 2023 (235) Candidate List Declared Against: JUNE 2023 (235) Does not contain REACH SVHC
--	---

Halogen Content	Low Halogen - Br, Cl, F, I < 900 ppm per homogenous material. Also BFR/CFR/PVC Free
-----------------	---

Solder Process Capability	Not applicable for solder process capability
---------------------------	--

#### Product Compliance Disclaimer

This information is provided based on reasonable inquiry of our suppliers and represents our current actual knowledge based on the information they provided. This information is subject to change. The part numbers that TE has identified as EU RoHS compliant have a maximum concentration of 0.1% by weight in homogenous materials for lead, hexavalent

chromium, mercury, PBB, PBDE, DBP, BBP, DEHP, DIBP, and 0.01% for cadmium, or qualify for an exemption to these limits as defined in the Annexes of Directive 2011/65/EU (RoHS2). Finished electrical and electronic equipment products will be CE marked as required by Directive 2011/65/EU. Components may not be CE marked. Additionally, the part numbers that TE has identified as EU ELV compliant have a maximum concentration of 0.1% by weight in homogenous materials for lead, hexavalent chromium, and mercury, and 0.01% for cadmium, or qualify for an exemption to these limits as defined in the Annexes of Directive 2000/53/EC (ELV). Regarding the REACH Regulation, the information TE provides on SVHC in articles for this part number is based on the latest European Chemicals Agency (ECHA) 'Guidance on requirements for substances in articles' posted at this URL: <https://echa.europa.eu/guidance-documents/guidance-on-reach>

## Compatible Parts



TE Part # 556136-2  
CONT,AMPINRGY WTW,LS PC,10-12



TE Part # 2-2151317-2  
OCEAN\_2.0\_Applicator-S-180F



TE Part # 2151317-2  
OCEAN\_2.0\_Applicator-S-180F




TE Part # 7-2151317-2  
OCEAN\_2.0\_Applicator-S-180F



**KIT**  
REPRESENTATION ONLY

TE Part # 7-2151317-7  
OCEAN\_2.0\_SPARE\_PART\_KIT-180F



TE Part # 91308-1  
EXT TOOL AMP INNERGY WIRE BRD

## Customers Also Bought



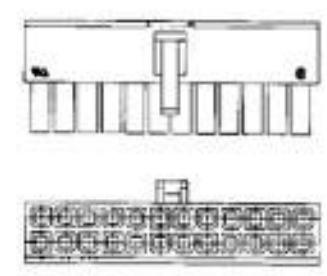
TE Part #174259-2  
ECONO-J MK-2 CAP HSG 4P



TE Part #499252-6  
034 STRAIN RELIEF A-L RCPT



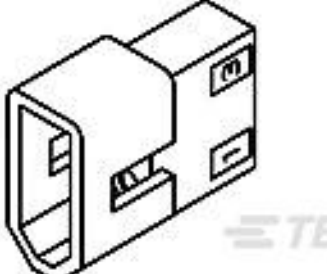
TE Part #1658622-8  
34 NOVO MIL/CTR 30DP,LEAD FREE



TE Part #1-794954-2  
12P RCPT VAL-U-LOK V2



TE Part #794615-4  
PANEL MT DBL ROW HSG 4 POS



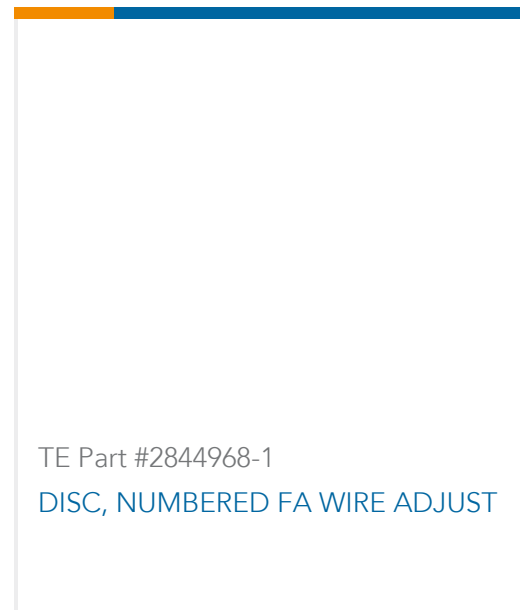
TE Part #770331-1  
03P .062 COMM P&S PLUG



TE Part #638112-1  
PIN, SF, SIZE 16, 14-18 AWG,NO INS, AU/SN



TE Part #770016-1  
05P UMNLI IN-LNE PLUG HSG KIT



## Documents

### Product Drawings

[CONT,AMPINNRGY WTW,STRIP,10-12](#)

English

### CAD Files

Customer View Model

[ENG\\_CVM\\_556136-1\\_A.3d\\_igs.zip](#)

English

Customer View Model

[ENG\\_CVM\\_556136-1\\_A.3d\\_stp.zip](#)

English

Customer View Model

[ENG\\_CVM\\_556136-1\\_A.2d\\_dxf.zip](#)

English

### 3D PDF

English

By downloading the CAD file I accept and agree to the [Terms and Conditions](#) of use.

### Datasheets & Catalog Pages

[1654742\\_HOUSEHOLD\\_APPLIANCES\\_RAST5](#)

English

[POWER\\_CONNECTORS\\_CATALOG\\_SEC02\\_CABLE\\_MOUNTED](#)

English

### Product Specifications

[Application Specification](#)

English

### Product Environmental Compliance

[MD\\_556136-1\\_0714201485\\_dmtec](#)

English

[MD\\_556136-1\\_0714201485\\_dmtec](#)

English

### Instruction Sheets

[Instruction Sheet \(U.S.\)](#)



English

[Inspection of AMPINNERGY System Power Contacts](#)

English