

5552383-1 ✓ ACTIVE

CHAMP | CHAMP Docking Connectors

TE Internal #: 5552383-1

IDC D-Sub Connectors, Receptacle, .65 mm² Solid Wire Size, .33 mm² Stranded Wire, 22 AWG Stranded Wire, Shielded, CHAMP Docking Connectors

[View on TE.com >](#)



Connectors > D-Shaped Connectors > D-Sub Connectors > IDC D-Sub Connectors > IDC D-Sub: Receptacle Kit, Signal, 50, 2.16 mm



Connector & Housing Type: **Receptacle**

Solid Wire Size: **.65 mm²**

Stranded Wire Size: **.33 mm²**

Shielded: **Yes**

[All IDC D-Sub: Receptacle Kit, Signal, 50, 2.16 mm \(10\)](#)

Features

Product Type Features

| | |
|-----------------------------------|------------------|
| Connector Kit Type | Connector Kit |
| Connector Cover Type | Protective Cover |
| Connector & Housing Type | Receptacle |
| Connector System | Cable-to-Cable |
| Connector Product Type | Connector Kit |
| Connector & Contact Terminates To | Wire & Cable |

Configuration Features

| | |
|-----------------------------------|-------------------------------------|
| Number of Positions | 50 |
| Number of Rows | 2 |
| Compatible With Wire & Cable Type | Discrete Wire, Round Jacketed Cable |

Body Features

| | |
|-------------------|---------------|
| Cover Material | Thermoplastic |
| Cable Exit Angle | 90° |
| Connector Profile | Standard |

Contact Features

| | |
|--------------------------------------|--|
| | 30 μin |
| Contact Mating Area Plating Material | Gold or Gold Flash over Palladium Nickel |



| | |
|-------------------------------|------------------|
| Contact Underplating Material | Palladium Nickel |
| Contact Base Material | Phosphor Bronze |
| Contact Current Rating (Max) | .5 A, 1 A |

Mechanical Attachment

| | |
|-------------------------|----------------------------|
| Mating Retention | With |
| Mating Retention Type | Screwlocks |
| Connector Mounting Type | Cable Mount (Free-Hanging) |

Housing Features

| | |
|--------------------|-------------------|
| Housing Material | Thermoplastic |
| Centerline (Pitch) | 2.16 mm [.085 in] |

Dimensions

| | |
|--------------------|---------------------|
| | .045 in |
| Solid Wire Size | .65 mm ² |
| Stranded Wire Size | .33 mm ² |

Usage Conditions

| | |
|-----------------------------|----------------------------|
| Operating Temperature Range | -40 – 75 °C [-40 – 167 °F] |
|-----------------------------|----------------------------|

Operation/Application

| | |
|---------------------|--------|
| Shielded | Yes |
| Circuit Application | Signal |

Packaging Features

| | |
|--------------------|-----|
| Packaging Quantity | 1 |
| Packaging Method | Bag |

Product Compliance

[For compliance documentation, visit the product page on TE.com>](#)

| | |
|---|---|
| EU RoHS Directive 2011/65/EU | Compliant |
| EU ELV Directive 2000/53/EC | Compliant |
| China RoHS 2 Directive MIIT Order No 32, 2016 | No Restricted Materials Above Threshold |
| EU REACH Regulation (EC) No. 1907/2006 | Current ECHA Candidate List: JUNE 2023 (235) Candidate List Declared Against: JUNE 2023 (235) Does not contain REACH SVHC |




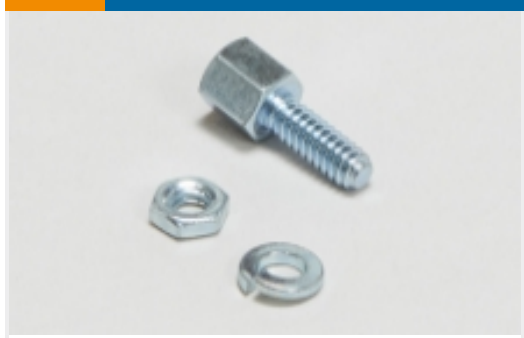
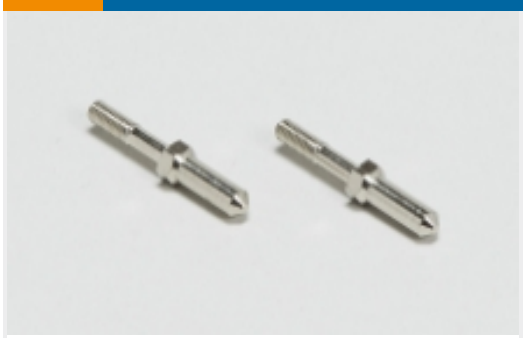



| | |
|-----------------|--|
| Halogen Content | Not Low Halogen - contains Br or Cl > 900 ppm. |
|-----------------|--|

| | |
|---------------------------|--|
| Solder Process Capability | Not reviewed for solder process capability |
|---------------------------|--|

Product Compliance Disclaimer

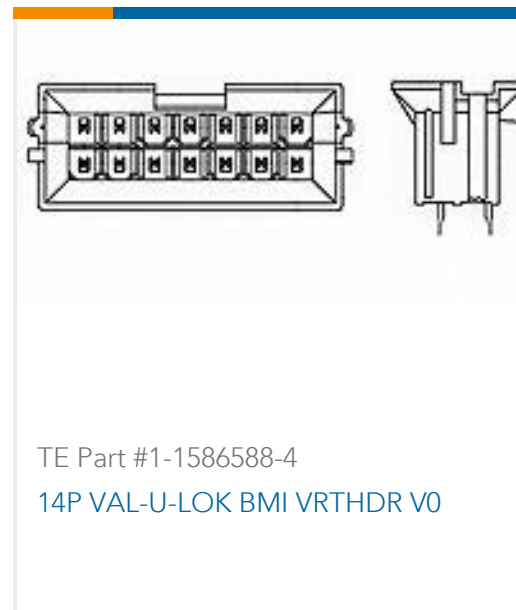
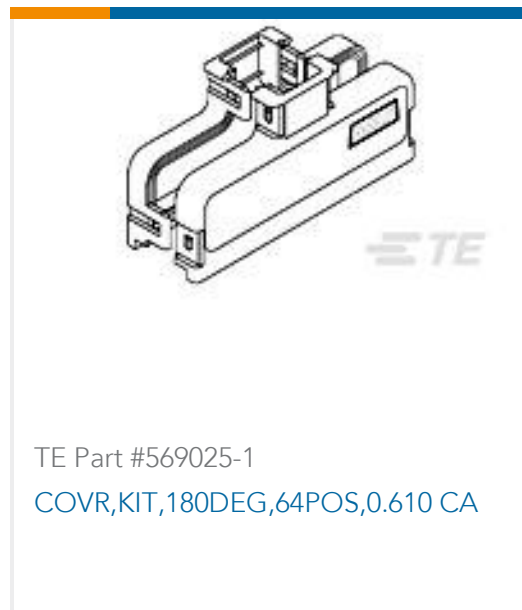
This information is provided based on reasonable inquiry of our suppliers and represents our current actual knowledge based on the information they provided. This information is subject to change. The part numbers that TE has identified as EU RoHS compliant have a maximum concentration of 0.1% by weight in homogenous materials for lead, hexavalent chromium, mercury, PBB, PBDE, DBP, BBP, DEHP, DIBP, and 0.01% for cadmium, or qualify for an exemption to these limits as defined in the Annexes of Directive 2011/65/EU (RoHS2). Finished electrical and electronic equipment products will be CE marked as required by Directive 2011/65/EU. Components may not be CE marked. Additionally, the part numbers that TE has identified as EU ELV compliant have a maximum concentration of 0.1% by weight in homogenous materials for lead, hexavalent chromium, and mercury, and 0.01% for cadmium, or qualify for an exemption to these limits as defined in the Annexes of Directive 2000/53/EC (ELV). Regarding the REACH Regulation, the information TE provides on SVHC in articles for this part number is based on the latest European Chemicals Agency (ECHA) 'Guidance on requirements for substances in articles' posted at this URL: <https://echa.europa.eu/guidance-documents/guidance-on-reach>

Also in the Series | CHAMP Docking Connectors

| | | | |
|---|--|--|---|
|  D-Sub Covers(28) |  D-Sub Locking & Mounting(29) |  Docking Connector Guide Hardware(5) |  Docking Connectors(31) |
|  IDC D-Sub Connectors(77) |  PCB D-Sub Connectors(1) | | |

Customers Also Bought

| | | | |
|--|---|---|--|
|  TE Part #552303-1 ASSY, PLUG, 64 POS, C SLOT |  TE Part #5552382-1 KIT, PLUG, 50 POS, C SLOT |  TE Part #5552403-1 KIT, RCPT, 50 POS, CHAMP-LOK |  TE Part #229968-2 COVER, DUST, PLUG, BLUE, CHAMP |
|--|---|---|--|



Documents

Product Drawings

KIT, RCPT, 50 POSN, C SLOT

English

CAD Files

3D PDF

English

Customer View Model

[ENG_CVM_5552383-1_A.2d_dxf.zip](#)

English

Customer View Model

[ENG_CVM_5552383-1_A.3d_igs.zip](#)

English

Customer View Model

[ENG_CVM_5552383-1_A.3d_stp.zip](#)

English

By downloading the CAD file I accept and agree to the [Terms and Conditions](#) of use.