

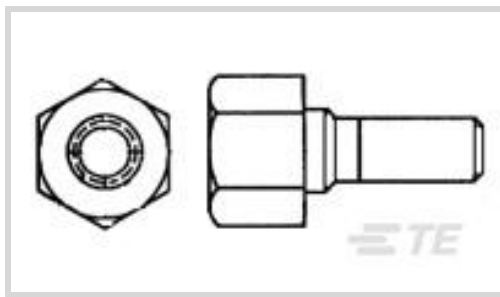
554043-2 ✓ ACTIVE

CHAMP Docking Connectors

TE Internal #: 554043-2

TE Internal Description: STDOFF, MTG STUD, HEX HD

[View on TE.com >](#)



Product Compliance

[For compliance documentation, visit the product page on TE.com>](#)

EU RoHS Directive 2011/65/EU	Compliant
EU ELV Directive 2000/53/EC	Compliant with Exemptions
China RoHS 2 Directive MIIT Order No 32, 2016	No Restricted Materials Above Threshold
EU REACH Regulation (EC) No. 1907/2006	Current ECHA Candidate List: JUNE 2023 (235) Candidate List Declared Against: JAN 2023 (233) Does not contain REACH SVHC
Halogen Content	Low Halogen - Br, Cl, F, I < 900 ppm per homogenous material. Also BFR/CFR/PVC Free
Solder Process Capability	Not applicable for solder process capability

Product Compliance Disclaimer

This information is provided based on reasonable inquiry of our suppliers and represents our current actual knowledge based on the information they provided. This information is subject to change. The part numbers that TE has identified as EU RoHS compliant have a maximum concentration of 0.1% by weight in homogenous materials for lead, hexavalent chromium, mercury, PBB, PBDE, DBP, BBP, DEHP, DIBP, and 0.01% for cadmium, or qualify for an exemption to these limits as defined in the Annexes of Directive 2011/65/EU (RoHS2). Finished electrical and electronic equipment products will be CE marked as required by Directive 2011/65/EU. Components may not be CE marked. Additionally, the part numbers that TE has identified as EU ELV compliant have a maximum concentration of 0.1% by weight in homogenous materials for lead, hexavalent chromium, and mercury, and 0.01% for cadmium, or qualify for an exemption to these limits as defined in the Annexes of Directive 2000/53/EC (ELV). Regarding the REACH Regulation, the information TE provides on SVHC in articles for this part number is based on the latest European Chemicals Agency (ECHA) 'Guidance on requirements for substances in articles' posted at this URL: <https://echa.europa.eu/guidance-documents/guidance-on-reach>

Also in the Series | CHAMP Docking Connectors



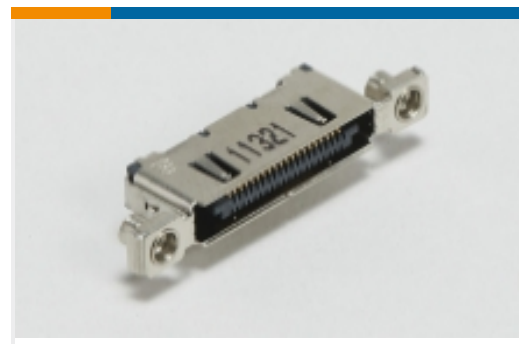
D-Sub Covers(28)



D-Sub Locking & Mounting(29)



Docking Connector Guide Hardware(5)



Docking Connectors(31)



IDC D-Sub Connectors(77)

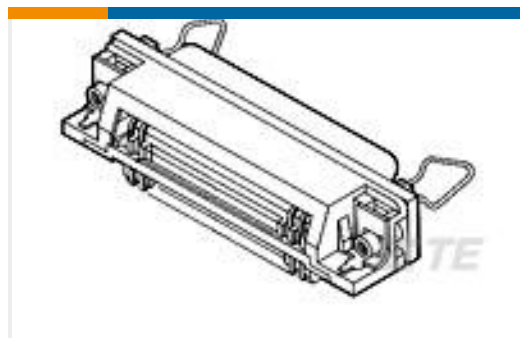


PCB D-Sub Connectors(1)

Customers Also Bought



TE Part #3-640443-8
08P MTA100 CONN ASSY GRN



TE Part #5554923-2
RCPT ASSY,SHLD,RTANG, 24 POSN



TE Part #5520250-3
MJ,R/A,6P/6C,PNL STOPS,TRAY



TE Part #2-1445050-2
MICRO MNL HDR ASSY S/ROW LF



TE Part #2-1445087-4
MICRO MNL HDR ASSY S/ROW AU LF



TE Part #746610-3
016 DIP PLUG 100CL TIN



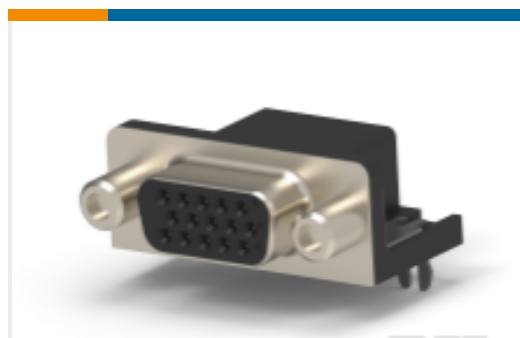
TE Part #2176093-5
RP 2A 0.25W 10K 0.1% 25PPM 1K RL



TE Part #2176343-1
CRGCQ 1206 10R 1%



TE Part #1-2176329-3
CRGP 1210 100R 1%



TE Part #2311763-3
AMPL REC, HD22, R/A, 15P, THREADED

Documents



Product Drawings

STDOFF, MTG STUD, HEX HD

English

CAD Files

3D PDF

3D

Customer View Model

[ENG_CVM_CVM_554043-2_S.2d_dxf.zip](#)

English

Customer View Model

[ENG_CVM_CVM_554043-2_S.3d_igs.zip](#)

English

Customer View Model

[ENG_CVM_CVM_554043-2_S.3d_stp.zip](#)

English

By downloading the CAD file I accept and agree to the [Terms and Conditions](#) of use.

Product Specifications

Application Specification

English

Agency Approvals

CSA Certificate

English