

5535651-6 ✓ ACTIVE



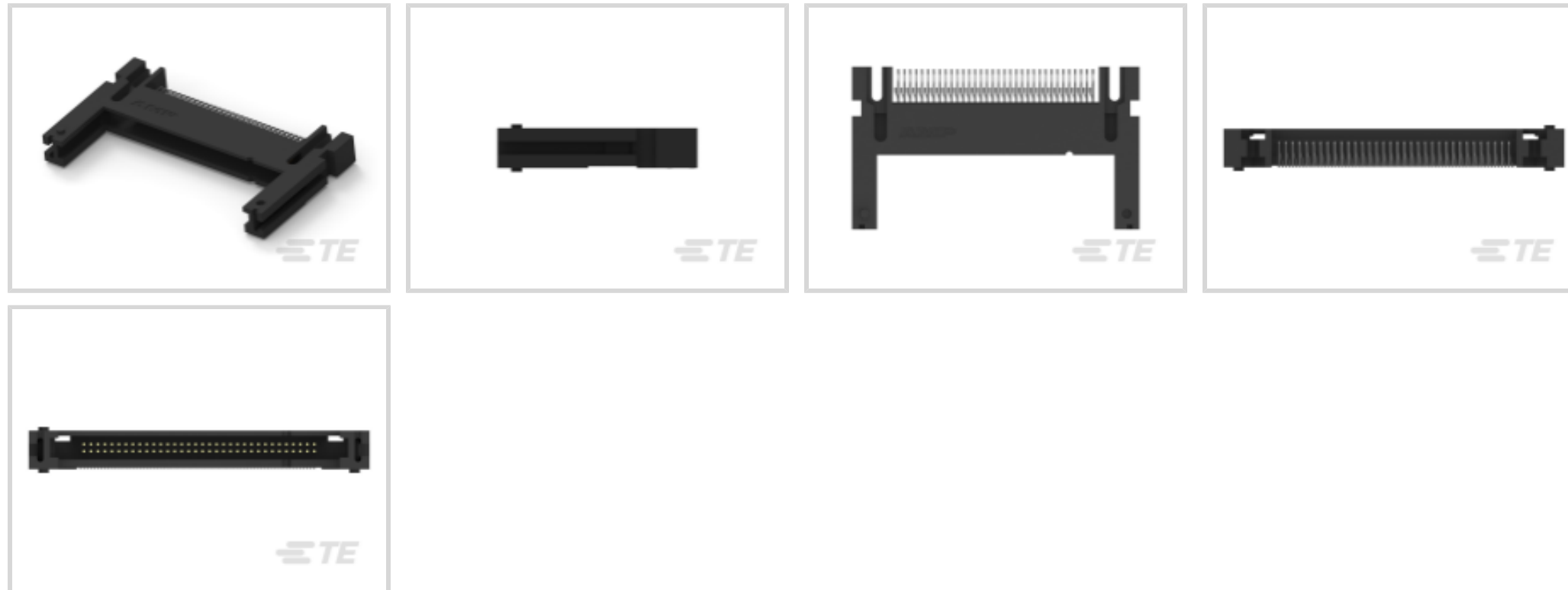
RAYCHEM STSS

TE Internal #: 5535651-6

PCMCIA Connectors, Fully Shrouded, Cable-to-Board, 68 Position,
1.27 mm [.05 in] Centerline, 2 Row, 1 Card Slots, Surface Mount,
RAYCHEM STSS

[View on TE.com >](#)

Connectors > PCB Connectors > Memory Card Connectors > PCMCIA Connectors



Header Type: **Fully Shrouded**

Connector System: **Cable-to-Board**

Number of Positions: **68**

Centerline (Pitch): **1.27 mm [.05 in]**

Number of Rows: **2**

Features

Product Type Features

Header Type	Fully Shrouded
Connector System	Cable-to-Board
Connector & Contact Terminates To	Printed Circuit Board

Configuration Features

Number of Positions	68
Number of Rows	2
Number of Card Slots	1
PCB Mount Orientation	Right Angle

Electrical Characteristics

Voltage Rating	3.3 VAC
----------------	---------

Body Features

Primary Product Color	Black
Connector Profile	Standard



Contact Features

Contact Layout	Staggered
Contact Type	Pin
	30 µin
Contact Mating Area Plating Material	Gold
Contact Underplating Material	Nickel
PCB Contact Termination Area Plating Material	Tin
Contact Base Material	Brass
Contact Current Rating (Max)	.1 A

Termination Features

Termination Method to Printed Circuit Board	Surface Mount
---	---------------

Mechanical Attachment

Connector Mounting Type	Board Mount
-------------------------	-------------

Housing Features

Housing Material	LCP (Liquid Crystal Polymer)
Centerline (Pitch)	1.27 mm [.05 in]

Dimensions

Profile Height from PCB	6.98 mm
-------------------------	---------

Usage Conditions

Operating Temperature Range	-20 – 70 °C [-4 – 158 °F]
-----------------------------	---------------------------

Operation/Application

Shielded	No
Circuit Application	Signal

Industry Standards

UL Flammability Rating	UL 94V-0
------------------------	----------

Packaging Features

Packaging Quantity	20
Packaging Method	Box & Tray, Tray

Other

Memory Card Connector Comment	Two size M2 screws (customer supplied) are required for strain relief.
-------------------------------	--

Product Compliance

[For compliance documentation, visit the product page on TE.com>](#)

EU RoHS Directive 2011/65/EU	Compliant
EU ELV Directive 2000/53/EC	Compliant
China RoHS 2 Directive MIIT Order No 32, 2016	No Restricted Materials Above Threshold
EU REACH Regulation (EC) No. 1907/2006	Current ECHA Candidate List: JUNE 2023 (235) Candidate List Declared Against: JUNE 2023 (235) Does not contain REACH SVHC
Halogen Content	Low Halogen - Br, Cl, F, I < 900 ppm per homogenous material. Also BFR/CFR/PVC Free
Solder Process Capability	Reflow solder capable to 260°C

Product Compliance Disclaimer

This information is provided based on reasonable inquiry of our suppliers and represents our current actual knowledge based on the information they provided. This information is subject to change. The part numbers that TE has identified as EU RoHS compliant have a maximum concentration of 0.1% by weight in homogenous materials for lead, hexavalent chromium, mercury, PBB, PBDE, DBP, BBP, DEHP, DIBP, and 0.01% for cadmium, or qualify for an exemption to these limits as defined in the Annexes of Directive 2011/65/EU (RoHS2). Finished electrical and electronic equipment products will be CE marked as required by Directive 2011/65/EU. Components may not be CE marked. Additionally, the part numbers that TE has identified as EU ELV compliant have a maximum concentration of 0.1% by weight in homogenous materials for lead, hexavalent chromium, and mercury, and 0.01% for cadmium, or qualify for an exemption to these limits as defined in the Annexes of Directive 2000/53/EC (ELV). Regarding the REACH Regulation, the information TE provides on SVHC in articles for this part number is based on the latest European Chemicals Agency (ECHA) 'Guidance on requirements for substances in articles' posted at this URL: <https://echa.europa.eu/guidance-documents/guidance-on-reach>

Compatible Parts



Also in the Series | **RAYCHEM STSS**



PCMCIA Connectors(1)

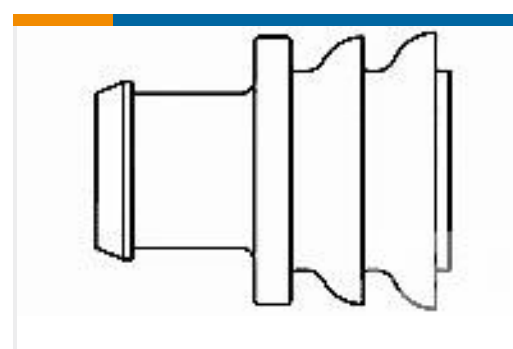


ST Connectors(1)



USB Cable Assemblies(1)

Customers Also Bought

TE Part #206070-8
CABLE CLAMP KIT #17TE Part #DT04-2P
REC, 2P, GRY, NTE Part #DT06-2S
PLG, 2P, GRY, NTE Part #W2P
Wedgelocks: DEUTSCH DTTE Part #0462-201-16141
DEUTSCH Solid ContactsTE Part #282080-1
AMP SUPERSEAL 1.5MM,
CONNECTOR HOUSINGTE Part #281934-2
SINGLE WIRE SEAL

Documents

Product Drawings

68 MEMCD HDR STD SMT TOP LV, N

English

CAD Files

3D PDF

English

Customer View Model

[ENG_CVM_5535651-6_O.2d_dxf.zip](#)

English

Customer View Model

[ENG_CVM_5535651-6_O.3d_igs.zip](#)

English

Customer View Model

[ENG_CVM_5535651-6_O.3d_stp.zip](#)

English

By downloading the CAD file I accept and agree to the [Terms and Conditions](#) of use.



[Product Specifications](#)

[Application Specification](#)

English