

553444-5 ✓ ACTIVE

CHAMP

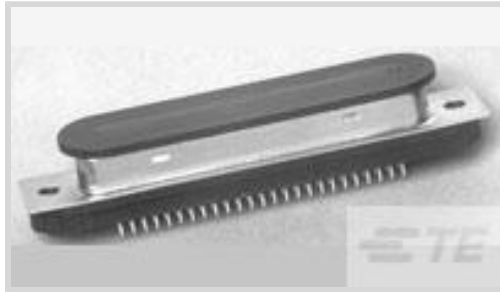
TE Internal #: 553444-5

PCB D-Sub Connectors, Plug, Cable-to-Board, 64 Position, 2.16 mm [.085 in] Centerline, 2 Row, Standard Profile, Vertical, PCB Mount Retention

[View on TE.com >](#)



Connectors > D-Shaped Connectors > D-Sub Connectors > PCB D-Sub Connectors > D-Sub Plug Assembly: Vertical, Action Pin, 2.16mm



Connector & Housing Type: **Plug**

Connector System: **Cable-to-Board**

Number of Positions: **64**

Centerline (Pitch): **2.16 mm [.085 in]**

Number of Rows: **2**

[All D-Sub Plug Assembly: Vertical, Action Pin, 2.16mm \(4\)](#)

## Features

### Product Type Features

Connector & Housing Type	Plug
Connector System	Cable-to-Board
Connector & Contact Terminates To	Printed Circuit Board

### Configuration Features

Number of Positions	64
Number of Rows	2
PCB Mount Orientation	Vertical

### Body Features

Primary Product Color	Black
Connector Profile	Standard

### Contact Features

Contact Mating Area Plating Material Thickness	.76 µm
Contact Mating Area Plating Material	Gold
Contact Base Material	Copper Alloy
Contact Current Rating (Max)	3 A

### Termination Features

--	--



Rectangular Termination Post & Tail Thickness	.48 mm[.018 in]
Rectangular Termination Post & Tail Width	.66 mm[.026 in]
Termination Method to Printed Circuit Board	Through Hole - Press-Fit

### Mechanical Attachment

Panel Attachment Style	Rear Mount
Mounting Hole Diameter	3.3 mm
PCB Mount Retention	With
PCB Mount Retention Type	Action/Compliant Tail
Mating Retention	Without
Connector Mounting Type	Panel Mount

### Housing Features

Housing Material	Polyester
Centerline (Pitch)	2.16 mm[.085 in]

### Dimensions

PCB Thickness (Recommended)	1.57 – 3.18 mm[.062 – .125 in]
Row-to-Row Spacing	4.06 mm[.16 in]

### Usage Conditions

Operating Temperature Range	-55 – 105 °C[-67 – 221 °F]
-----------------------------	----------------------------

### Operation/Application

Shielded	No
Circuit Application	Signal

### Industry Standards

UL Flammability Rating	UL 94V-0
------------------------	----------

### Packaging Features

Packaging Quantity	20
Packaging Method	Tray

### Product Compliance

[For compliance documentation, visit the product page on TE.com>](#)

EU RoHS Directive 2011/65/EU	Compliant
EU ELV Directive 2000/53/EC	Compliant
China RoHS 2 Directive MIIT Order No 32, 2016	No Restricted Materials Above Threshold



EU REACH Regulation (EC) No. 1907/2006

Current ECHA Candidate List: JUNE 2023 (235)

Candidate List Declared Against: JUNE 2023 (235)

Does not contain REACH SVHC

Halogen Content

Not Low Halogen - contains Br or Cl > 900 ppm.

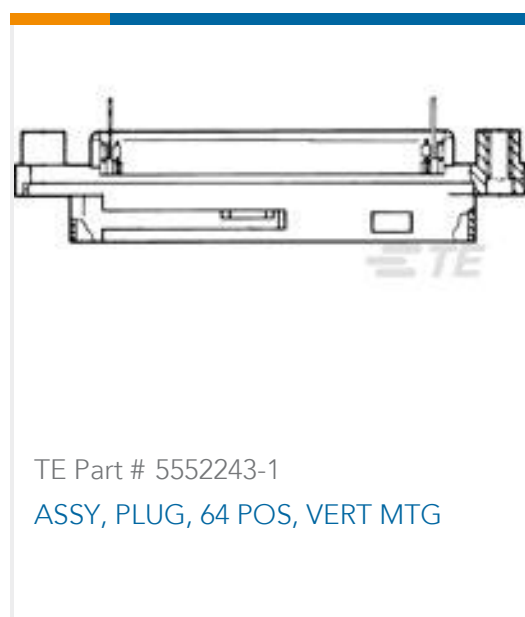
Solder Process Capability

Not applicable for solder process capability

Product Compliance Disclaimer

This information is provided based on reasonable inquiry of our suppliers and represents our current actual knowledge based on the information they provided. This information is subject to change. The part numbers that TE has identified as EU RoHS compliant have a maximum concentration of 0.1% by weight in homogenous materials for lead, hexavalent chromium, mercury, PBB, PBDE, DBP, BBP, DEHP, DIBP, and 0.01% for cadmium, or qualify for an exemption to these limits as defined in the Annexes of Directive 2011/65/EU (RoHS2). Finished electrical and electronic equipment products will be CE marked as required by Directive 2011/65/EU. Components may not be CE marked. Additionally, the part numbers that TE has identified as EU ELV compliant have a maximum concentration of 0.1% by weight in homogenous materials for lead, hexavalent chromium, and mercury, and 0.01% for cadmium, or qualify for an exemption to these limits as defined in the Annexes of Directive 2000/53/EC (ELV). Regarding the REACH Regulation, the information TE provides on SVHC in articles for this part number is based on the latest European Chemicals Agency (ECHA) 'Guidance on requirements for substances in articles' posted at this URL: <https://echa.europa.eu/guidance-documents/guidance-on-reach>

## Compatible Parts



## Customers Also Bought





TE Part #1734101-4  
Champ050 series,40pos,Au over PdNi



TE Part #5-102694-1  
06 ampmodu mt assy dr.sn



TE Part #553443-5  
ASSY RCPT, ACTION PIN, CHAMP-LOK



TE Part #172890-2  
2P 2MM MINI AMP-IN HDR HSG



TE Part #172890-7  
7P 2MM MINI AMP-IN HDR HSG



TE Part #2314826-4  
4P, 2MM, BB, REC, DRVT, 2.7, 0.76AU,  
TUBE W/CAP

## Documents

### Product Drawings

#### PLUG ASSY, ACTION PIN, CHAMP-LOK

English

### CAD Files

#### Customer View Model

[ENG\\_CVM\\_CVM\\_553444-5\\_V.2d\\_dxf.zip](#)

English

#### 3D PDF

3D

#### Customer View Model

[ENG\\_CVM\\_CVM\\_553444-5\\_V.3d\\_igs.zip](#)

English

#### Customer View Model

[ENG\\_CVM\\_CVM\\_553444-5\\_V.3d\\_stp.zip](#)

English

By downloading the CAD file I accept and agree to the [Terms and Conditions](#) of use.

### Product Specifications

#### Application Specification

English

#### Application Specification

English

#### CHAMP Action Pin Connectors

English

### Instruction Sheets



[Instruction Sheet \(U.S.\)](#)

English

[AMP CHAMP ACTION PIN Connectors \(Preloaded\)](#)

English

---

[Agency Approvals](#)

[CSA Certificate](#)

English