

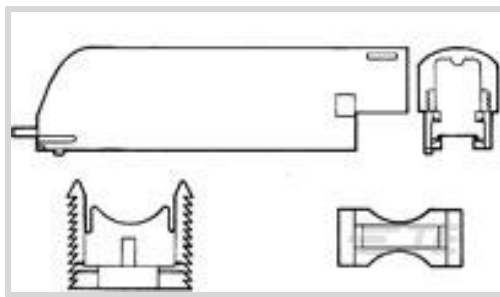
552763-1 ✓ ACTIVE

## CHAMP Docking Connectors

TE Internal #: 552763-1

TE Internal Description: CLAMP, CABLE, ADJUSTABLE

[View on TE.com >](#)



### Product Compliance

[For compliance documentation, visit the product page on TE.com>](#)

EU RoHS Directive 2011/65/EU	Compliant
EU ELV Directive 2000/53/EC	Compliant
China RoHS 2 Directive MIIT Order No 32, 2016	No Restricted Materials Above Threshold
EU REACH Regulation (EC) No. 1907/2006	Current ECHA Candidate List: JUNE 2023 (235) Candidate List Declared Against: JUNE 2023 (235) Does not contain REACH SVHC
Halogen Content	Low Bromine/Chlorine - Br and Cl < 900 ppm per homogenous material. Also BFR /CFR/PVC Free
Solder Process Capability	Not applicable for solder process capability

#### Product Compliance Disclaimer

This information is provided based on reasonable inquiry of our suppliers and represents our current actual knowledge based on the information they provided. This information is subject to change. The part numbers that TE has identified as EU RoHS compliant have a maximum concentration of 0.1% by weight in homogenous materials for lead, hexavalent chromium, mercury, PBB, PBDE, DBP, BBP, DEHP, DIBP, and 0.01% for cadmium, or qualify for an exemption to these limits as defined in the Annexes of Directive 2011/65/EU (RoHS2). Finished electrical and electronic equipment products will be CE marked as required by Directive 2011/65/EU. Components may not be CE marked. Additionally, the part numbers that TE has identified as EU ELV compliant have a maximum concentration of 0.1% by weight in homogenous materials for lead, hexavalent chromium, and mercury, and 0.01% for cadmium, or qualify for an exemption to these limits as defined in the Annexes of Directive 2000/53/EC (ELV). Regarding the REACH Regulation, the information TE provides on SVHC in articles for this part number is based on the latest European Chemicals Agency (ECHA) 'Guidance on requirements for substances in articles' posted at this URL: <https://echa.europa.eu/guidance-documents/guidance-on-reach>

## Also in the Series | [CHAMP Docking Connectors](#)



D-Sub Covers(28)



D-Sub Locking & Mounting(29)



Docking Connector Guide Hardware(5)



Docking Connectors(31)

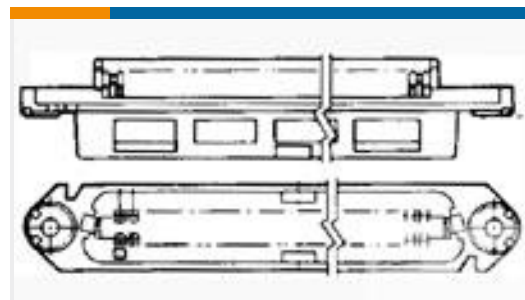


IDC D-Sub Connectors(77)

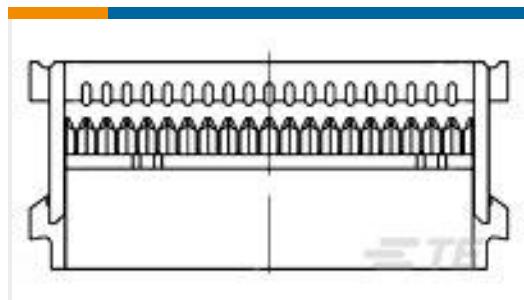


PCB D-Sub Connectors(1)

## Customers Also Bought



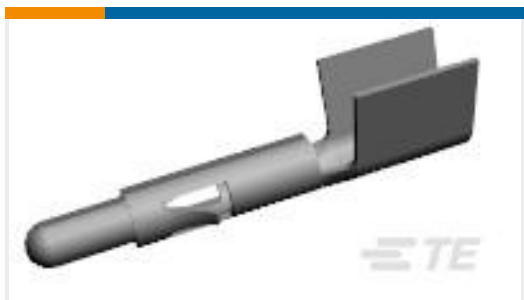
TE Part #229975-1  
ASSY,RCPT,50POS,B SLOT,BLK HSG



TE Part #1-1658526-2  
609-2030LF FEM SOCKET,LEAD FREE



TE Part #1658527-4  
622-1041LF FEM SOCKET,LEAD FREE



TE Part #640309-3  
UMNL PIN 12-10 PTPPHBZ



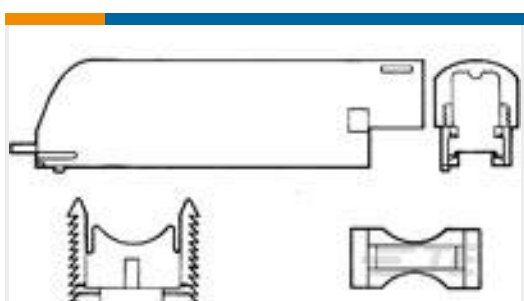
TE Part #1-480705-0  
06P UMNL CAP HSG NATL



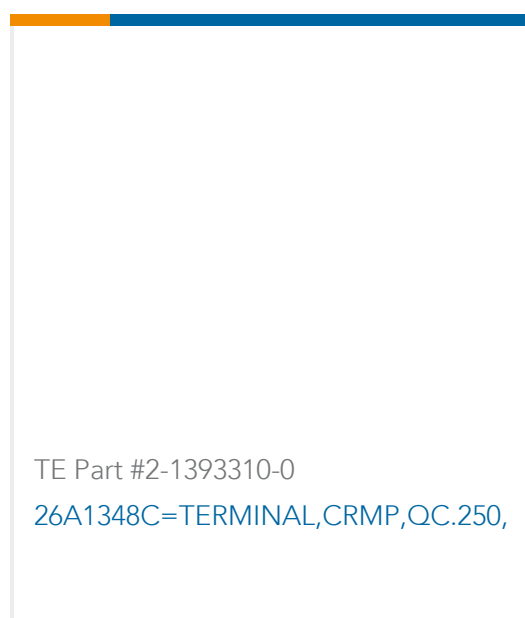
TE Part #1-480704-0  
06P UMNL PLUG HSG NATL



TE Part #K1138460  
Batt. Disconnect 35-514-231-R-A5-901



TE Part #552760-1  
COVER,90 DEG,SLIDE-ON,"C/PKG"



TE Part #2-1393310-0  
26A1348C=TERMINAL,CRMP,QC.250,

## Documents



### Product Drawings

#### CLAMP, CABLE, ADJUSTABLE

English

---

### CAD Files

#### 3D PDF

3D

#### Customer View Model

[ENG\\_CVM\\_CVM\\_552763-1\\_L.2d\\_dxf.zip](#)

English

#### Customer View Model

[ENG\\_CVM\\_CVM\\_552763-1\\_L.3d\\_igs.zip](#)

English

#### Customer View Model

[ENG\\_CVM\\_CVM\\_552763-1\\_L.3d\\_stp.zip](#)

English

By downloading the CAD file I accept and agree to the [Terms and Conditions](#) of use.

---

### Product Specifications

#### Application Specification

English

---

### Product Environmental Compliance

#### TE Material Declaration

English

---

### Agency Approvals

#### CSA Certificate

English