

552319-1 ✓ ACTIVE

CHAMP | CHAMP Docking Connectors

TE Internal #: 552319-1

IDC D-Sub Connectors, Plug, .65 mm² Solid Wire Size, .33 mm² Stranded Wire, 22 AWG Stranded Wire, Cable-to-Cable, CHAMP Docking Connectors

[View on TE.com >](#)



Connectors > D-Shaped Connectors > D-Sub Connectors > IDC D-Sub Connectors > IDC D-Sub: Plug Assembly, Signal, Cable to Cable, 2.16 mm



Connector & Housing Type: **Plug**

Solid Wire Size: **.65 mm²**

Stranded Wire Size: **.33 mm²**

Shielded: **No**

[All IDC D-Sub: Plug Assembly, Signal, Cable to Cable, 2.16 mm \(26\)](#)

Features

Product Type Features

| | |
|-----------------------------------|--------------------|
| Connector & Housing Type | Plug |
| Connector System | Cable-to-Cable |
| Connector Product Type | Connector Assembly |
| Connector & Contact Terminates To | Wire & Cable |

Configuration Features

| | |
|-----------------------------------|-------------------------------------|
| Number of Positions | 50 |
| Number of Rows | 2 |
| Compatible With Wire & Cable Type | Discrete Wire, Round Jacketed Cable |

Body Features

| | |
|-----------------------|----------|
| Primary Product Color | Black |
| Connector Profile | Standard |

Contact Features

| | |
|--|--|
| Contact Mating Area Plating Material Thickness | .76 µm[30 µin] |
| Contact Mating Area Plating Material | Gold, Gold Flash, Gold Flash over Palladium Nickel |
| Contact Underplating Material | Palladium Nickel |
| Contact Base Material | Copper Alloy |
| Contact Current Rating (Max) | 3.5 A |



Mechanical Attachment

| | |
|-------------------------|----------------------------|
| Mating Retention | With |
| Mating Retention Type | Screwlocks |
| Connector Mounting Type | Cable Mount (Free-Hanging) |

Housing Features

| | |
|--------------------|---------------------|
| Housing Material | Polyphenylene Oxide |
| Centerline (Pitch) | 2.16 mm[.085 in] |

Dimensions

| | |
|--------------------------------------|---------------------|
| Compatible Insulation Diameter (Max) | 1.14 mm[.045 in] |
| Solid Wire Size | .65 mm ² |
| Stranded Wire Size | .33 mm ² |

Usage Conditions

| | |
|-----------------------------|---------------------------|
| Operating Temperature Range | -40 – 75 °C[-40 – 167 °F] |
|-----------------------------|---------------------------|

Operation/Application

| | |
|---------------------|--------|
| Shielded | No |
| Circuit Application | Signal |

Packaging Features

| | |
|--------------------|---------------------|
| Packaging Quantity | 100 |
| Packaging Method | Box & Tray, Package |

Product Compliance

[For compliance documentation, visit the product page on TE.com>](#)

| | |
|---|---|
| EU RoHS Directive 2011/65/EU | Compliant |
| EU ELV Directive 2000/53/EC | Compliant |
| China RoHS 2 Directive MIIT Order No 32, 2016 | No Restricted Materials Above Threshold |
| EU REACH Regulation (EC) No. 1907/2006 | Current ECHA Candidate List: JUNE 2023 (235) Candidate List Declared Against: JUNE 2023 (235) Does not contain REACH SVHC |
| Halogen Content | Low Bromine/Chlorine - Br and Cl < 900 ppm per homogenous material. Also BFR /CFR/PVC Free |
| Solder Process Capability | Not applicable for solder process capability |

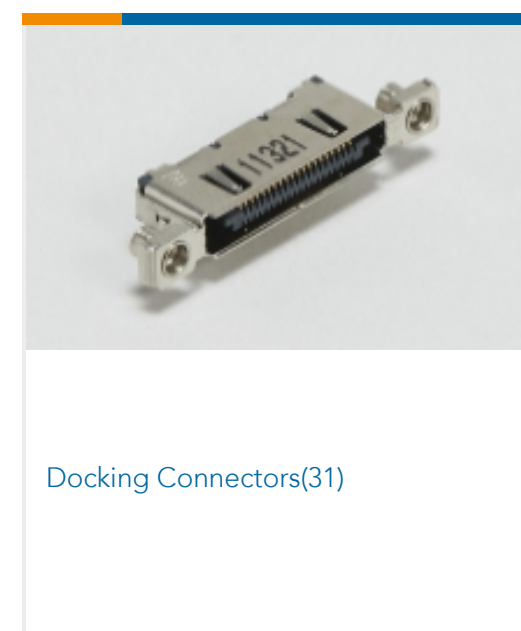
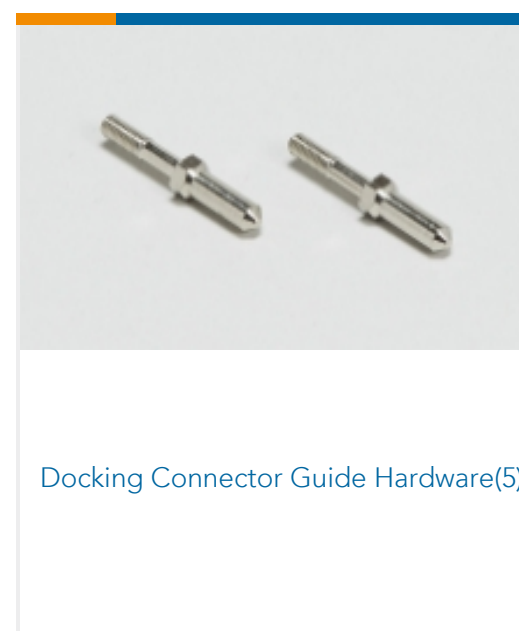
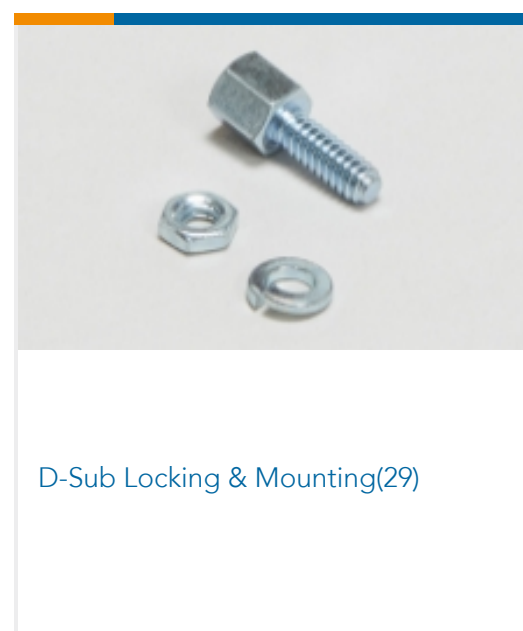
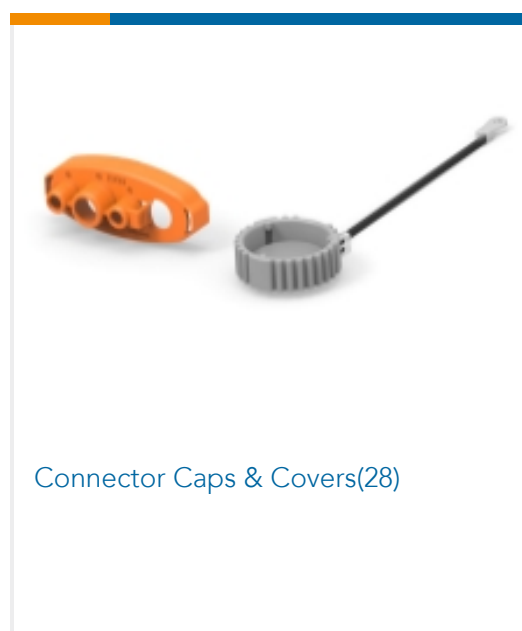
Product Compliance Disclaimer

This information is provided based on reasonable inquiry of our suppliers and represents our current actual knowledge based on the information they provided. This information is subject to change. The part numbers that TE has identified as EU RoHS compliant have a maximum concentration of 0.1% by weight in homogenous materials for lead, hexavalent chromium, mercury, PBB, PBDE, DBP, BBP, DEHP, DIBP, and 0.01% for cadmium, or qualify for an exemption to these limits as defined in the Annexes of Directive 2011/65/EU (RoHS2). Finished electrical and electronic equipment products will be CE marked as required by Directive 2011/65/EU. Components may not be CE marked. Additionally, the part numbers that TE has identified as EU ELV compliant have a maximum concentration of 0.1% by weight in homogenous materials for lead, hexavalent chromium, and mercury, and 0.01% for cadmium, or qualify for an exemption to these limits as defined in the Annexes of Directive 2000/53/EC (ELV). Regarding the REACH Regulation, the information TE provides on SVHC in articles for this part number is based on the latest European Chemicals Agency (ECHA) 'Guidance on requirements for substances in articles' posted at this URL: <https://echa.europa.eu/guidance-documents/guidance-on-reach>

Compatible Parts



Also in the Series | CHAMP Docking Connectors



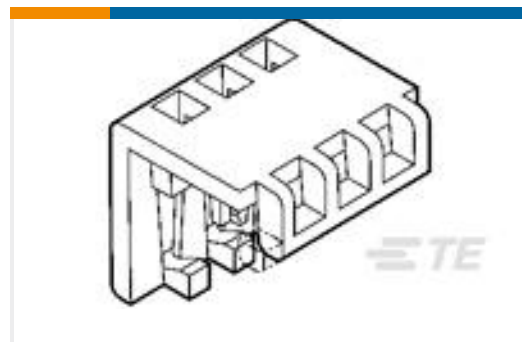
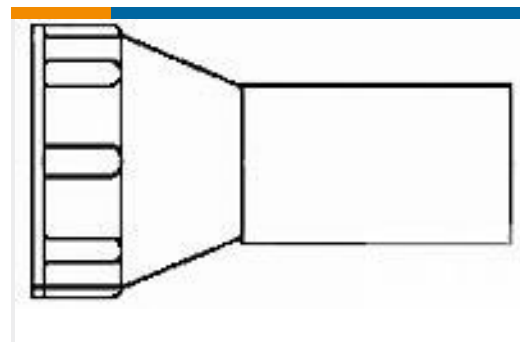
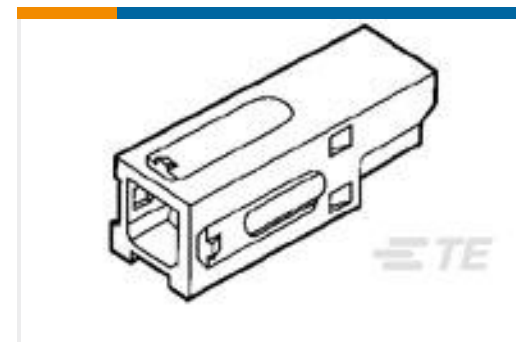
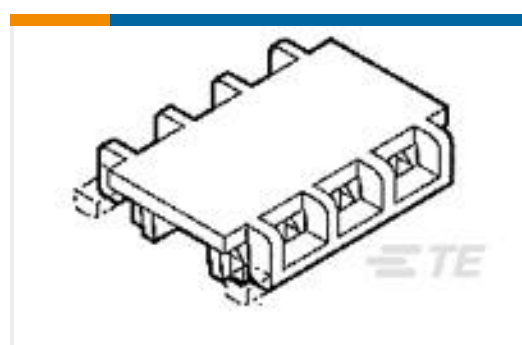
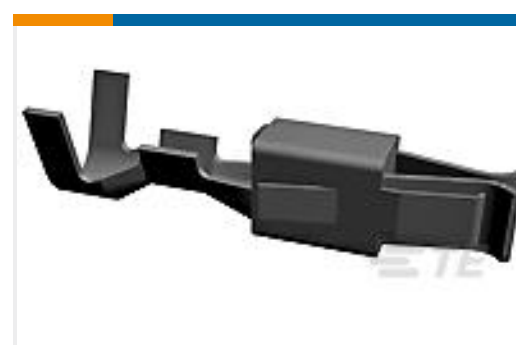
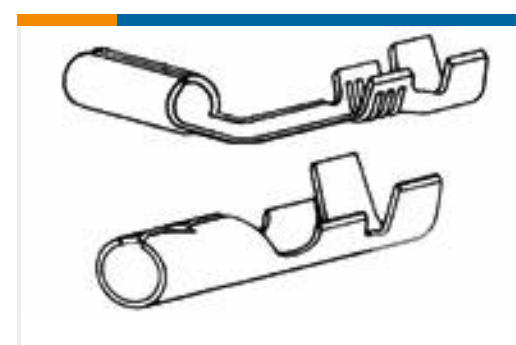
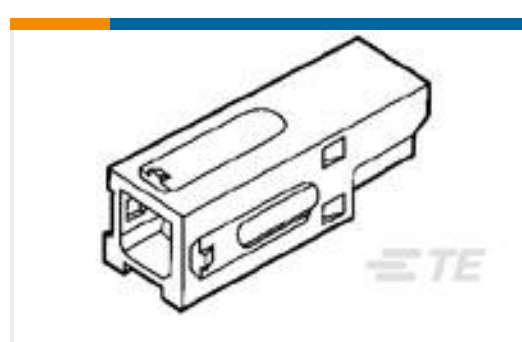


IDC D-Sub Connectors(77)



PCB D-Sub Connectors(1)

Customers Also Bought

TE Part #1-643075-1
11P MTA100 MOLDED COVERTE Part #213933-1
CPC, STRAIN RELIEF, SIZE 17TE Part #745508-4
FERRULE SPLIT RING, HDTE Part #53894-2
HSG ASSY, PWR LK, SRS1, 1 POS, BLKTE Part #643071-3
03P MTA156 FD-THRU COVERTE Part #4-552008-1
KIT, COVER, 180, 50 POSTE Part #927766-1
JPT REC 2.8 Contact SWS SnTE Part #42142-2
SHUR PLUG TERMINAL 18-14 AWG BRTE Part #53894-1
HSG ASSY, PWR LK, SRS1, 1 POS, WHTTE Part #2822355-1
070 TYPE RUBBER PLUG M

Documents

Product Drawings

[ASSY, PLUG, 50 POS, C SLOT](#)

English

CAD Files

[Customer View Model](#)

[ENG_CVM_552319-1_J.3d_igs.zip](#)

English

[Customer View Model](#)



[ENG_CVM_552319-1_J.3d_stp.zip](#)

English

Customer View Model

[ENG_CVM_552319-1_J.2d_dxf.zip](#)

English

3D PDF

3D

By downloading the CAD file I accept and agree to the [Terms and Conditions](#) of use.

Product Specifications

[Application Specification](#)

English

Agency Approvals

[UL Report](#)

English

[UL Report](#)

English