



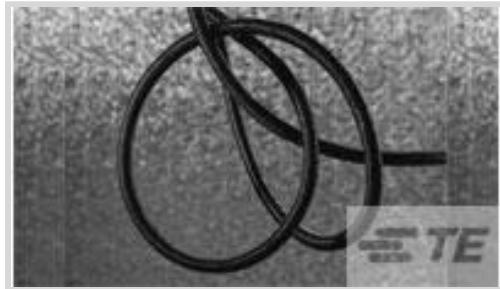
RAYCHEM

TE Internal #: 5470214013

Convuluted Tubing, Crosslinked Polyvinylidene Fluoride,  
Lubricating Oil / Diesel Fuel / Chemicals/Solvents, -55 – 150 °C,  
Length 60 m [197 ft]

[View on TE.com >](#)

Wire Protection & Management > Convuluted Tubing



Primary Product Material: **Crosslinked Polyvinylidene Fluoride**

Fluid Resistance Type: **Chemicals/Solvents, De-Icing Fluid, Diesel Fuel, Hydraulic Fluid, Lubricating Oil, Water**

Operating Temperature Range: **-55 – 150 °C**

Product Length: **60 m [ 197 ft ]**

**Features**

**Body Features**

|                          |                                     |
|--------------------------|-------------------------------------|
| Primary Product Material | Crosslinked Polyvinylidene Fluoride |
|--------------------------|-------------------------------------|

**Dimensions**

|                       |                |
|-----------------------|----------------|
| Inside Diameter Range | 7.1 mm[.28 in] |
| Product Length        | 60 m[197 ft]   |

**Usage Conditions**

|                             |  |
|-----------------------------|--|
| High Temperature Compatible | Yes  |
| Fluid Resistance Type       | Chemicals/Solvents, De-Icing Fluid, Diesel Fuel, Hydraulic Fluid, Lubricating Oil, Water |
| Operating Temperature Range | -55 – 150 °C   |

**Operation/Application**

|               |     |
|---------------|-----|
| Emission Free | Yes |
|---------------|-----|

**Packaging Features**

|                  |       |
|------------------|-------|
| Packaging Method | Spool |
|------------------|-------|

**Product Compliance**

[For compliance documentation, visit the product page on TE.com>](#)

|   |   |
|---|---|
| EU RoHS Directive 2011/65/EU                  | Compliant                               |
| EU ELV Directive 2000/53/EC                   | Compliant                               |
| China RoHS 2 Directive MIIT Order No 32, 2016 | No Restricted Materials Above Threshold |



EU REACH Regulation (EC) No. 1907/2006

Current ECHA Candidate List: JUNE 2023 (235)

Candidate List Declared Against: JUNE 2023 (235)

Does not contain REACH SVHC

Halogen Content

Low Bromine/Chlorine - Br and Cl < 900 ppm per homogenous material. Also BFR /CFR/PVC Free

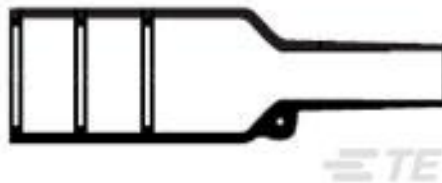
Solder Process Capability

Not applicable for solder process capability


Product Compliance Disclaimer

This information is provided based on reasonable inquiry of our suppliers and represents our current actual knowledge based on the information they provided. This information is subject to change. The part numbers that TE has identified as EU RoHS compliant have a maximum concentration of 0.1% by weight in homogenous materials for lead, hexavalent chromium, mercury, PBB, PBDE, DBP, BBP, DEHP, DIBP, and 0.01% for cadmium, or qualify for an exemption to these limits as defined in the Annexes of Directive 2011/65/EU (RoHS2). Finished electrical and electronic equipment products will be CE marked as required by Directive 2011/65/EU. Components may not be CE marked. Additionally, the part numbers that TE has identified as EU ELV compliant have a maximum concentration of 0.1% by weight in homogenous materials for lead, hexavalent chromium, and mercury, and 0.01% for cadmium, or qualify for an exemption to these limits as defined in the Annexes of Directive 2000/53/EC (ELV). Regarding the REACH Regulation, the information TE provides on SVHC in articles for this part number is based on the latest European Chemicals Agency (ECHA) 'Guidance on requirements for substances in articles' posted at this URL: <https://echa.europa.eu/guidance-documents/guidance-on-reach>

### Customers Also Bought



TE Part #812997-000  
202K121-3-0




TE Part #241165-000  
RT-1145-OX-22-0



TE Part #8306110001  
HT-SCE-1/4-2.0-9



TE Part #814716-000  
222A132-3/42-0



TE Part #CF0364-000  
204W201-25-0



TE Part #5749195-2  
68 50SR KIT,ST,UK



TE Part #155880-000  
CWT-11



TE Part #ZPF000000000005391  
910-6F 12-10 SN 01



## Documents

### Product Drawings

[CONVOLEX-9/32-0-SP](#)

English

### Datasheets & Catalog Pages

[raychem-tubing-product-selection-guide](#)

English

### Product Specifications

[CONVOLEX](#)

English

[Convolex Tubing Poly Vinylidene Fluoride, Modified, Radiation-Crosslinked](#)

English