

5435640-4 ✓ ACTIVE

Alcoswitch | Alcoswitch DIP

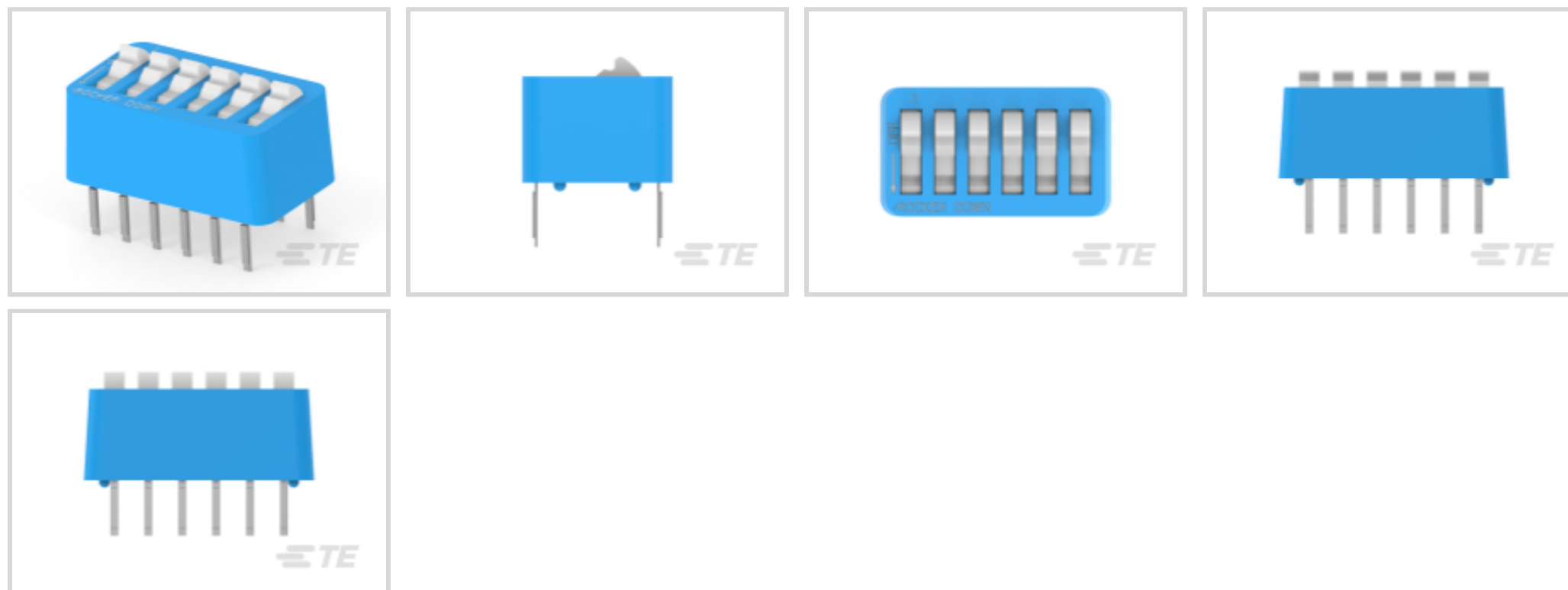
TE Internal #: 5435640-4

DIP & SIP Switches, Switch, Gold, Blue Housing, Polyester GF, 6 Switch, -25 – 70 °C, DIP, Rocker (Top Actuated) Actuator Style, 1 A, Alcoswitch DIP

[View on TE.com >](#)



Relays, Contactors & Switches > Switches > DIP & SIP Switches



DIP & SIP Switch Product Type: **Switch**

DIP & SIP Switch Contact Mating Area Plating Material: **Gold**

DIP & SIP Switch Housing Color: **Blue**

DIP & SIP Switch Housing Material: **Polyester GF**

Auto-Insertable: **No**

Features

Product Type Features

DIP & SIP Switch Product Type	Switch
Sealed DIP & SIP Switch	No
DIP & SIP Switch Type	DIP
Actuator Style	Rocker (Top Actuated)

Configuration Features

Number of Positions	6
Number of Switches	6
Configuration (Pole-Throw)	Single Pole - Single Throw

Electrical Characteristics

DIP & SIP Switch Voltage Rating	40 VDC
---------------------------------	--------

Contact Features

Solder Tail Contact Plating	Tin
	30 μin
DIP & SIP Switch Contact Mating Area Plating Material	Gold

Auto-Insertable	No
DIP & SIP Switch Contact Current Rating	1 A
Contact Base Material	Copper Alloy

Termination Features

Termination Post Length	3.56 mm[.14 in]
-------------------------	-----------------

Mechanical Attachment

Mounting Angle	Vertical
DIP & SIP Switch Mounting Type	Through Hole

Housing Features

DIP & SIP Switch Housing Color	Blue
DIP & SIP Switch Housing Material	Polyester GF
DIP & SIP Switch Centerline	2.54 mm[.1 in]

Dimensions

Height	8.64 mm[.34 in]
Length	17.27 mm[.68 in]

Usage Conditions

Operating Temperature Range	-25 – 70 °C
-----------------------------	-------------

Industry Standards

UL Flammability Rating	UL 94V-0
------------------------	----------

Packaging Features

Packaging Method	Box & Carton
Packaging Quantity	50

Other

Comment	Soldering in "off" position only
---------	----------------------------------

Product Compliance

[For compliance documentation, visit the product page on TE.com>](#)

EU RoHS Directive 2011/65/EU	Compliant
EU ELV Directive 2000/53/EC	Compliant
China RoHS 2 Directive MIIT Order No 32, 2016	No Restricted Materials Above Threshold
EU REACH Regulation (EC) No. 1907/2006	Current ECHA Candidate List: JUNE 2023 (235)



Candidate List Declared Against: JUL 2021
(219)

Does not contain REACH SVHC

Halogen Content Not Low Halogen - contains Br or Cl > 900 ppm.

Solder Process Capability Wave solder capable to 265°C

Product Compliance Disclaimer

This information is provided based on reasonable inquiry of our suppliers and represents our current actual knowledge based on the information they provided. This information is subject to change. The part numbers that TE has identified as EU RoHS compliant have a maximum concentration of 0.1% by weight in homogenous materials for lead, hexavalent chromium, mercury, PBB, PBDE, DBP, BBP, DEHP, DIBP, and 0.01% for cadmium, or qualify for an exemption to these limits as defined in the Annexes of Directive 2011/65/EU (RoHS2). Finished electrical and electronic equipment products will be CE marked as required by Directive 2011/65/EU. Components may not be CE marked. Additionally, the part numbers that TE has identified as EU ELV compliant have a maximum concentration of 0.1% by weight in homogenous materials for lead, hexavalent chromium, and mercury, and 0.01% for cadmium, or qualify for an exemption to these limits as defined in the Annexes of Directive 2000/53/EC (ELV). Regarding the REACH Regulation, the information TE provides on SVHC in articles for this part number is based on the latest European Chemicals Agency (ECHA) 'Guidance on requirements for substances in articles' posted at this URL: <https://echa.europa.eu/guidance-documents/guidance-on-reach>

Compatible Parts



TE Part # 2-5435668-8
DIP SW 8 POSN W/TAPE AU



TE Part # 2-5435668-5
DIP SW 6 POSN W/TAPE AU



TE Part # 435668-7
LO PROFILE DIP SW 8P AU

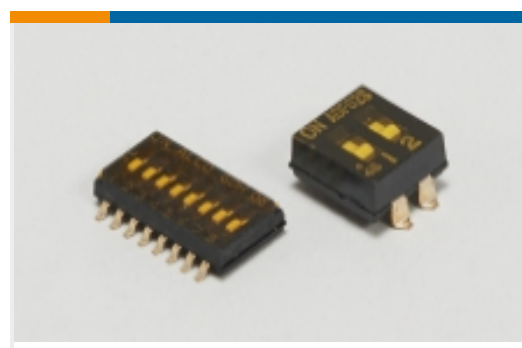


TE Part # 3-5435668-4
DIP SW 4 POSN W/TAPE AU



TE Part # 2-435668-5
DIP SW 6 POSN W/TAPE AU

Also in the Series | **Alcoswitch DIP**



DIP & SIP Switches(241)



Rotary Switches(16)

Customers Also Bought



TE Part #1735446-4
2MM PITCH HPI POST HEADER,
VERTICAL, 4P



TE Part #87220-5
05 MODII HDR SRST UNSHRD .100



TE Part #8-1437652-2
6PCV-05-006=6PCV ASSEMBLY



TE Part #1625854-1
1206 PROBE PAD



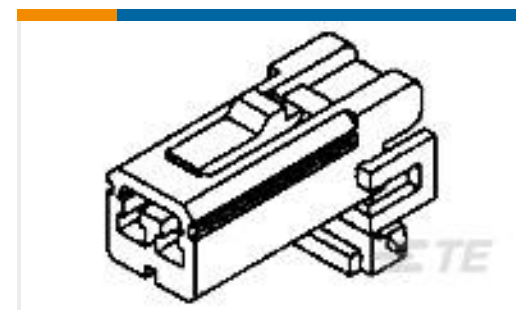
TE Part #1241050-3
2x3P MOD II BREAK AWAY HDR,SMD,
BLISTER



TE Part #1625867-1
RP 1J 0.166W 100K 0.1% 25PPM 1K RL



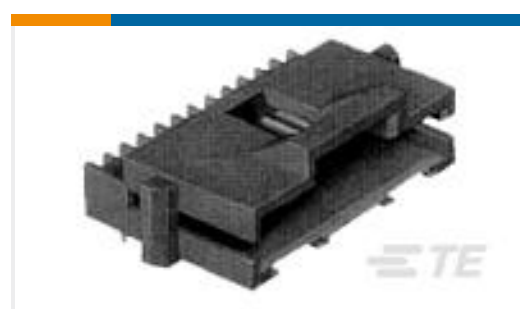
TE Part #4-2176371-9
RQ 0603 14K7 0.1% 10PPM 5K RL



TE Part #776128-6
2POS .070 MULTILOCK PLUG LEFT



TE Part #826925-3
03P MODU 2 PIN HDR.



TE Part #104074-2
05 SYSTEM 50 HDR SRRRA SHRD

Documents

Product Drawings

[DIP SW 6POSN AU](#)

English

CAD Files

[3D PDF](#)

English

Customer View Model

[ENG_CVM_5435640-4_A1.3d_igs.zip](#)



English

Customer View Model

[ENG_CVM_5435640-4_A1.3d_stp.zip](#)

English

Customer View Model

[ENG_CVM_5435640-4_A1.2d_dxf.zip](#)

English

3D PDF

3D

Customer View Model

[ENG_CVM_CVM_5435640-4_C.2d_dxf.zip](#)

English

Customer View Model

[ENG_CVM_CVM_5435640-4_C.3d_igs.zip](#)

English

Customer View Model

[ENG_CVM_CVM_5435640-4_C.3d_stp.zip](#)

English

By downloading the CAD file I accept and agree to the [Terms and Conditions](#) of use.

Product Specifications

[Application Specification](#)

English

Instruction Sheets

[Instruction Sheet \(U.S.\)](#)

English