

543344-1 ✓ ACTIVE

AMP

TE Internal #: 543344-1

Hand Crimping Tools, Premium Crimp Tooling, Not Releasable,
Not Adjustable, Removable/Interchangeable, TE Product
Specification (114-), Manual

[View on TE.com >](#)



Application Tooling > Hand Crimping Tools



Tool Grade: **Premium Crimp Tooling**

Ratchet Configuration: **Not Releasable, Not Adjustable**

Die Sets Type: **Removable/Interchangeable**

Specification Type: **TE Product Specification (114-)**

TE Certification: **Cannot be Certified**

Features

Other

Crimp Form-Wire Barrel Type	Closed Barrel - Other
Tool Grade	Premium Crimp Tooling
Ratchet Configuration	Not Releasable, Not Adjustable
Die Sets Type	Removable/Interchangeable
Specification Type	TE Product Specification (114-)
TE Certification	Cannot be Certified
Power Technology Type	Manual
Tooling Type	Hand Tool Frame Assembly (No Crimp Die)

Product Compliance

[For compliance documentation, visit the product page on TE.com>](#)

EU RoHS Directive 2011/65/EU	Compliant
EU ELV Directive 2000/53/EC	Out of Scope
China RoHS 2 Directive MIIT Order No 32, 2016	No Restricted Materials Above Threshold
EU REACH Regulation (EC) No. 1907/2006	Current ECHA Candidate List: JUNE 2023 (235) Candidate List Declared Against: JAN 2019 (197) Does not contain REACH SVHC

Halogen Content

Low Halogen - Br, Cl, F, I < 900 ppm per homogenous material. Also BFR/CFR/PVC Free

Solder Process Capability

Not reviewed for solder process capability

Product Compliance Disclaimer

This information is provided based on reasonable inquiry of our suppliers and represents our current actual knowledge based on the information they provided. This information is subject to change. The part numbers that TE has identified as EU RoHS compliant have a maximum concentration of 0.1% by weight in homogenous materials for lead, hexavalent chromium, mercury, PBB, PBDE, DBP, BBP, DEHP, DIBP, and 0.01% for cadmium, or qualify for an exemption to these limits as defined in the Annexes of Directive 2011/65/EU (RoHS2). Finished electrical and electronic equipment products will be CE marked as required by Directive 2011/65/EU. Components may not be CE marked. Additionally, the part numbers that TE has identified as EU ELV compliant have a maximum concentration of 0.1% by weight in homogenous materials for lead, hexavalent chromium, and mercury, and 0.01% for cadmium, or qualify for an exemption to these limits as defined in the Annexes of Directive 2000/53/EC (ELV). Regarding the REACH Regulation, the information TE provides on SVHC in articles for this part number is based on the latest European Chemicals Agency (ECHA) 'Guidance on requirements for substances in articles' posted at this URL: <https://echa.europa.eu/guidance-documents/guidance-on-reach>

Compatible Parts



TE Part # 2-747580-2
SHLDING FERRULE, PLTD TIN, BULK



TE Part # 4-745130-1
SHLDING FERRULE, PLTD, BULK PKG



TE Part # 7-745129-0
SHLDING FERRULE, PLTD, BULK PKG



TE Part # 7-745129-9
SHLDING FERRULE, PLTD, BULK PKG



TE Part # 2-747579-7
SHLDING FERRULE, PLTD TIN, BULK



TE Part # 4-745130-3
SHLDING FERRULE, PLTD, BULK PKG



TE Part # 3-747579-4
SHLDING FERRULE, PLTD, BULK PKG



TE Part # 3-747579-2
SHLDING FERRULE, PLTD, BULK PKG



TE Part # 3-747579-0
SHLDING FERRULE, PLTD, BULK PKG



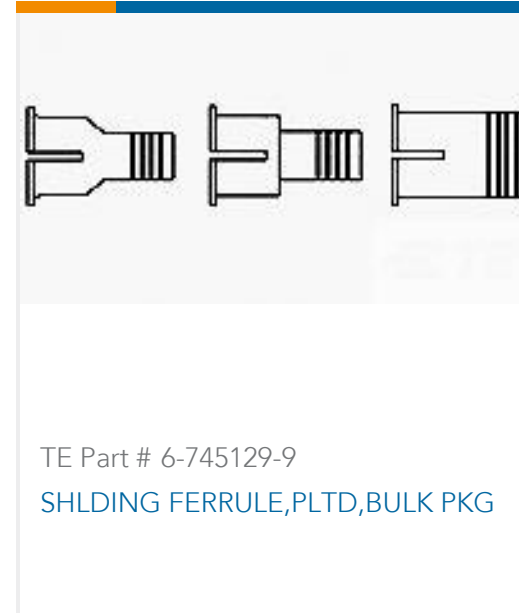
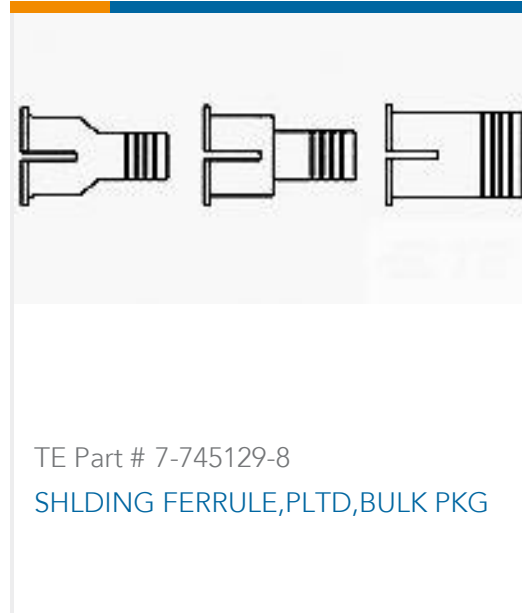
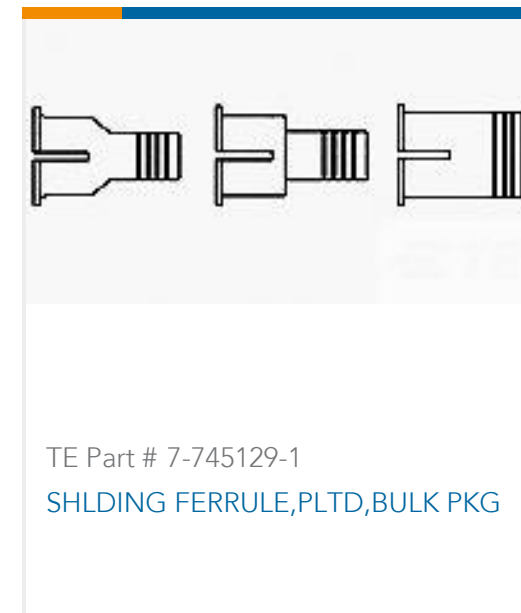
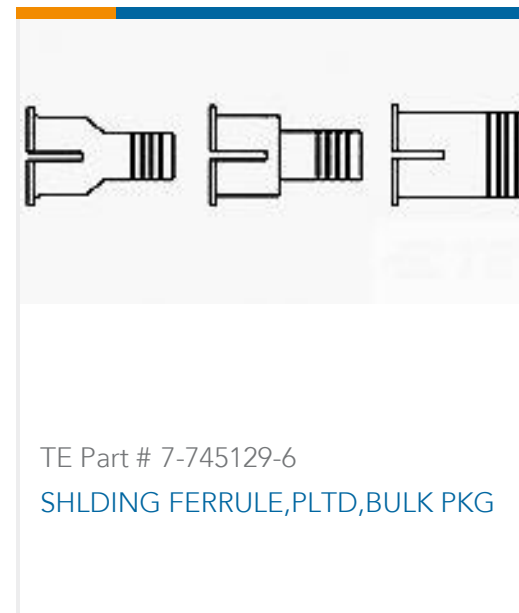
TE Part # 2-747580-3
SHLDING FERRULE, PLTD TIN, BULK



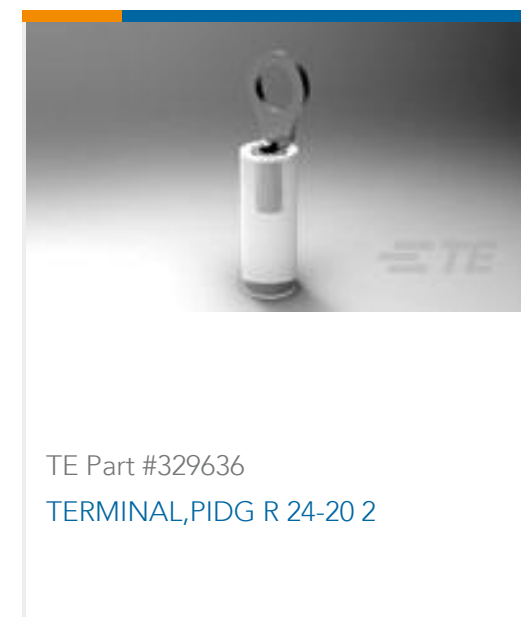
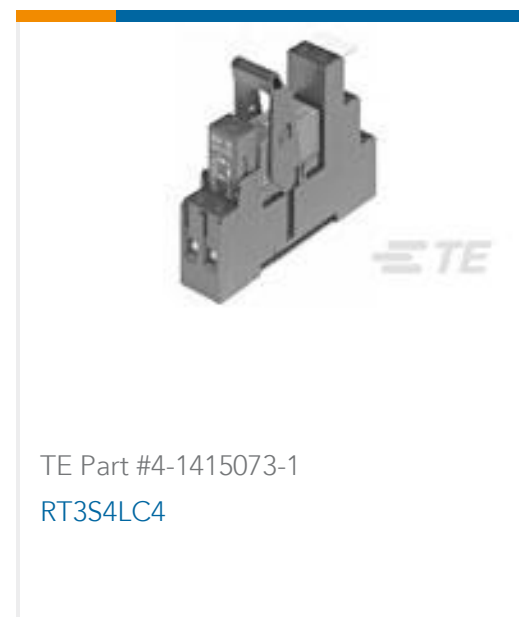
TE Part # 3-747579-6
SHLDING FERRULE, PLTD, BULK PKG



TE Part # 4-745130-2
SHLDING FERRULE, PLTD, BULK PKG



Customers Also Bought



Documents



Datasheets & Catalog Pages

AMPLIMITE Subminiature D Connectors - Cable Connectors

English

Bottoming Dies

English

Instruction Sheets

Instruction Sheet (U.S.)

English