

53915-1 ✓ ACTIVE

TE Internal #: 53915-1

Splices, Closed End Splice, 22 – 10 AWG Wire Size, .3 – 6 mm² Wire Size, Serrated, 3.248 – 13.1 kcmil Wire Size, 3248 – 13100 CMA Wire Size, Copper

[View on TE.com >](#)



Terminals & Splices > Splices



Wire Size: .3 – 6 mm²

Sealable: No

Splice Features: **Serrated**

Compatible Insulation Diameter Range: 9.4 mm [.37 in]

Features

Product Type Features

Splice Accessory Type	Splice
Sealable	No
Splice Type	Closed End Splice
Compatible With Discrete Wire Type	Solid, Stranded
Wire Insulation Support Retention Type	Insulation Support

Configuration Features

Compatible With Wire & Cable Type	Discrete Wire
-----------------------------------	---------------

Body Features

Product Weight	1.083 g
Splice Features	Serrated

Contact Features

Terminal Plating Material	Tin
Contact Base Material	Copper
Barrel Type	Closed

Mechanical Attachment



Wire Insulation Support	With
-------------------------	------

Dimensions

Wire Size	3248 – 13100 CMA
Compatible Insulation Diameter Range	9.4 mm[.37 in]
Terminal Material Thickness	.55 mm[.022 in]
Product Length	24.89 mm[.98 in]

Usage Conditions

Insulation Option	Fully Insulated
Operating Temperature Range	105 °C[221 °F]

Operation/Application

Compatible With Wire Base Material	Copper
------------------------------------	--------

Identification Marking

Splice Marking	EC
----------------	----

Industry Standards

Government Qualified Splice	No
-----------------------------	----

Packaging Features

Packaging Quantity	1000
Packaging Method	Loose Piece

Other

Terminals & Splices Comment	EC-600V Max. Building Wiring. 1000V Max. Fixtures & Signs, 105°C.
-----------------------------	---

Product Compliance

For compliance documentation, visit the product page on [TE.com](https://www.te.com)>

EU RoHS Directive 2011/65/EU	Compliant
EU ELV Directive 2000/53/EC	Compliant
China RoHS 2 Directive MIIT Order No 32, 2016	No Restricted Materials Above Threshold
EU REACH Regulation (EC) No. 1907/2006	Current ECHA Candidate List: JUNE 2023 (235) Candidate List Declared Against: JUNE 2023 (235) Does not contain REACH SVHC
Halogen Content	Low Halogen - Br, Cl, F, I < 900 ppm per homogenous material. Also BFR/CFR/PVC

Free

Solder Process Capability

Not applicable for solder process capability

Product Compliance Disclaimer

This information is provided based on reasonable inquiry of our suppliers and represents our current actual knowledge based on the information they provided. This information is subject to change. The part numbers that TE has identified as EU RoHS compliant have a maximum concentration of 0.1% by weight in homogenous materials for lead, hexavalent chromium, mercury, PBB, PBDE, DBP, BBP, DEHP, DIBP, and 0.01% for cadmium, or qualify for an exemption to these limits as defined in the Annexes of Directive 2011/65/EU (RoHS2). Finished electrical and electronic equipment products will be CE marked as required by Directive 2011/65/EU. Components may not be CE marked. Additionally, the part numbers that TE has identified as EU ELV compliant have a maximum concentration of 0.1% by weight in homogenous materials for lead, hexavalent chromium, and mercury, and 0.01% for cadmium, or qualify for an exemption to these limits as defined in the Annexes of Directive 2000/53/EC (ELV). Regarding the REACH Regulation, the information TE provides on SVHC in articles for this part number is based on the latest European Chemicals Agency (ECHA) 'Guidance on requirements for substances in articles' posted at this URL: <https://echa.europa.eu/guidance-documents/guidance-on-reach>

Compatible Parts




TE Part # 46866
SAHT ECECV PVF2 CLSD END SPLC 22-10 ASSY



TE Part # 217212-1
PRO-CR ASSY, CES



TE Part # 217212-2
PRO-CR DIE, CES



TE Part # 2217484-1
KIT, BTLI, HEAVY HEAD



TE Part # 2217484-2
KIT, BTLI, HEAVY HEAD

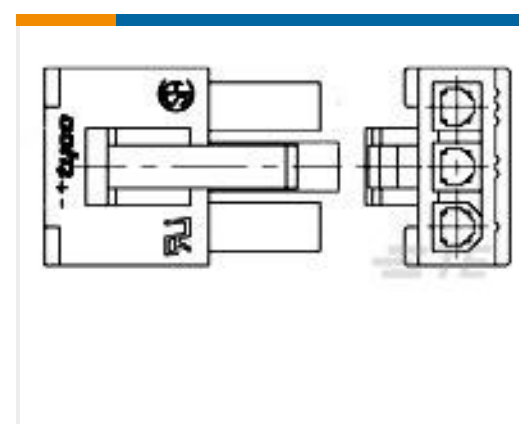
Customers Also Bought



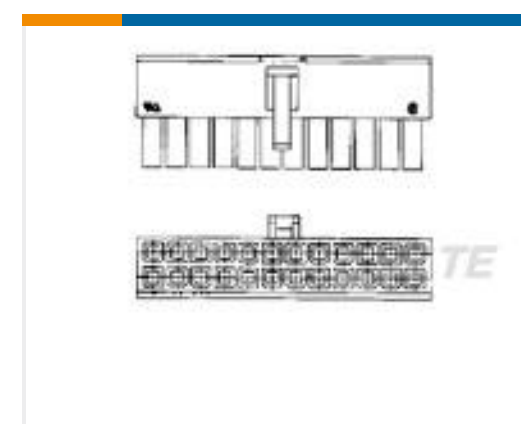
TE Part #647401-4
04P SL156 HSG W/RAMP,LRG OPEN



TE Part #2-6609037-1
10EMC6=F8149



TE Part #1586106-3
3P RCPT VAL-U-LOK SR V0



TE Part #1-1586019-0
10P RCPT VAL-U-LOK V0



Documents

Product Drawings

[SPLICE,N CE 22-10](#)

English

CAD Files

Customer View Model

[ENG_CVM_53915-1_S.3d_igs.zip](#)

English

Customer View Model

[ENG_CVM_53915-1_S.3d_stp.zip](#)

English

Customer View Model

[ENG_CVM_53915-1_S.2d_dxf.zip](#)

English

[3D PDF](#)

English

[3D PDF](#)

3D

Customer View Model

[ENG_CVM_CVM_53915-1_Z.2d_dxf.zip](#)

English

Customer View Model

[ENG_CVM_CVM_53915-1_Z.3d_igs.zip](#)

English

Customer View Model

[ENG_CVM_CVM_53915-1_Z.3d_stp.zip](#)

English



By downloading the CAD file I accept and agree to the [Terms and Conditions](#) of use.

Product Specifications

Application Specification

English

Product Environmental Compliance

MD_53915-1_07012015733_dmtec

English

MD_53915-1_07012015733_dmtec

English

Instruction Sheets

Instruction Sheet (U.S.)

English

Agency Approvals

Agency Approval Document

English