

53894-4 ✓ ACTIVE

AMP

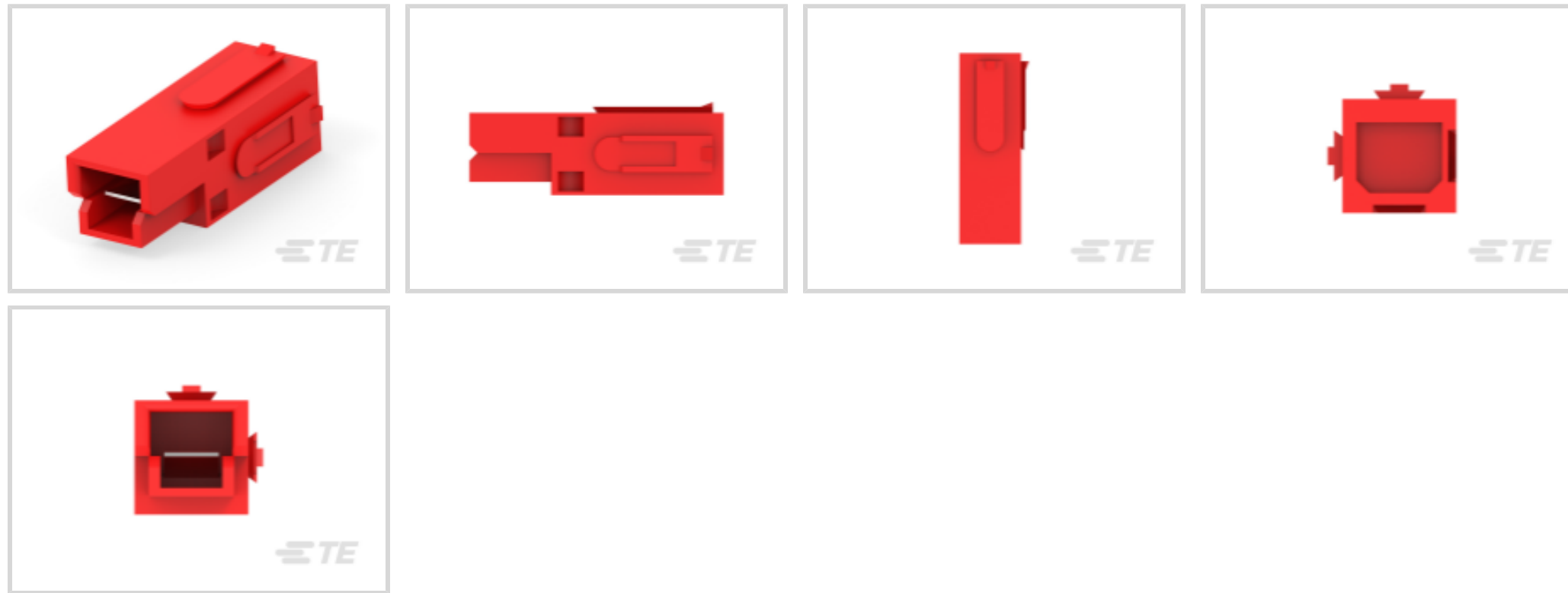
TE Internal #: 53894-4

Rectangular Power Connectors, Housing, Receptacle / Plug, Wire-to-Wire, 1 Position, Wire & Cable, UL 94V-2, Power, Panel Mount

[View on TE.com >](#)



Connectors > Power Connectors > Rectangular Power > Rectangular Power Connectors



Rectangular Power Connector Type: **Housing**

Connector & Housing Type: **Plug, Receptacle**

Connector System: **Wire-to-Wire**

Number of Positions: **1**

Sealable: **No**

## Features

### Product Type Features

Rectangular Power Connector Type	Housing
Connector & Housing Type	Plug, Receptacle
Connector System	Wire-to-Wire
Sealable	No
Connector & Contact Terminates To	Wire & Cable

### Configuration Features

Compatible With Wire & Cable Type	Discrete Wire
Number of Positions	1
Number of Power Positions	1
Number of Signal Positions	0
Number of Rows	1

### Electrical Characteristics

Operating Voltage	600 VDC
-------------------	---------

### Contact Features

--	--



Contact Current Rating (Max)	31 A
Contact Retention Within Housing	With
Contact Type	Blade

#### Termination Features

Termination Method to Wire & Cable	Crimp & Solder
------------------------------------	----------------

#### Mechanical Attachment

Connector Mounting Type	Panel Mount
-------------------------	-------------

#### Housing Features

Housing Color	Red
Housing Material	Polycarbonate

#### Dimensions

Connector Height	8.05 mm[.317 in]
Product Width	8.05 mm[.317 in]
Product Length	24.71 mm[.973 in]
Wire Size	.8 – 3 mm <sup>2</sup>

#### Usage Conditions

Operating Temperature Range	-40 – 75 °C[-40 – 167 °F]
-----------------------------	---------------------------

#### Operation/Application

Circuit Application	Power
---------------------	-------

#### Industry Standards

CSA Rating	Certified, LR 7189
UL Rating	Recognized
Agency/Standard	CSA, UL
Approved Standards	UL E28476
UL Flammability Rating	UL 94V-2

#### Packaging Features

Packaging Quantity	200
Packaging Method	Loose Piece

#### Product Compliance

For compliance documentation, visit the product page on [TE.com](https://www.te.com)>

EU RoHS Directive 2011/65/EU	Compliant
------------------------------	-----------



EU ELV Directive 2000/53/EC	Compliant
China RoHS 2 Directive MIIT Order No 32, 2016	No Restricted Materials Above Threshold
EU REACH Regulation (EC) No. 1907/2006	Current ECHA Candidate List: JUNE 2023 (235) Candidate List Declared Against: JUNE 2023 (235) Does not contain REACH SVHC
Halogen Content	Not Low Halogen - contains Br or Cl > 900 ppm.
Solder Process Capability	Not applicable for solder process capability

Product Compliance Disclaimer

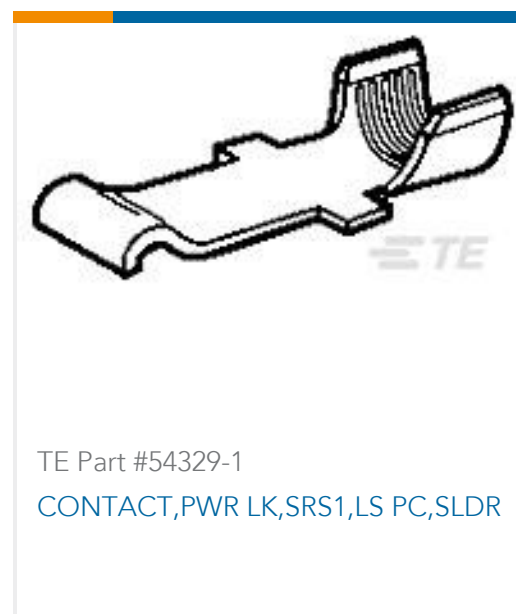
This information is provided based on reasonable inquiry of our suppliers and represents our current actual knowledge based on the information they provided. This information is subject to change. The part numbers that TE has identified as EU RoHS compliant have a maximum concentration of 0.1% by weight in homogenous materials for lead, hexavalent chromium, mercury, PBB, PBDE, DBP, BBP, DEHP, DIBP, and 0.01% for cadmium, or qualify for an exemption to these limits as defined in the Annexes of Directive 2011/65/EU (RoHS2). Finished electrical and electronic equipment products will be CE marked as required by Directive 2011/65/EU. Components may not be CE marked. Additionally, the part numbers that TE has identified as EU ELV compliant have a maximum concentration of 0.1% by weight in homogenous materials for lead, hexavalent chromium, and mercury, and 0.01% for cadmium, or qualify for an exemption to these limits as defined in the Annexes of Directive 2000/53/EC (ELV). Regarding the REACH Regulation, the information TE provides on SVHC in articles for this part number is based on the latest European Chemicals Agency (ECHA) 'Guidance on requirements for substances in articles' posted at this URL: <https://echa.europa.eu/guidance-documents/guidance-on-reach>

### Compatible Parts



### Customers Also Bought





## Documents

### Product Drawings

[HSG ASSY,PWR LK,SRS1,1 POS,RED](#)

English

### CAD Files

[3D PDF](#)

English

**Customer View Model**

[ENG\\_CVM\\_53894-4\\_L.3d\\_igs.zip](#)

English

**Customer View Model**

[ENG\\_CVM\\_53894-4\\_L.3d\\_stp.zip](#)

English

**Customer View Model**

[ENG\\_CVM\\_53894-4\\_L.2d\\_dxf.zip](#)

English

By downloading the CAD file I accept and agree to the [Terms and Conditions](#) of use.

### Product Specifications

[Application Specification](#)

English

[Application Specification](#)

Japanese

[Power-Lock 75 Series Contacts](#)

Japanese

### Product Environmental Compliance

[MD\\_53894-4\\_0612201819\\_dmtec](#)

English

[MD\\_53894-4\\_0612201819\\_dmtec](#)

English

### Instruction Sheets

[Instruction Sheet \(U.S.\)](#)

English



[Agency Approvals](#)

[Agency Approval Document](#)

English