



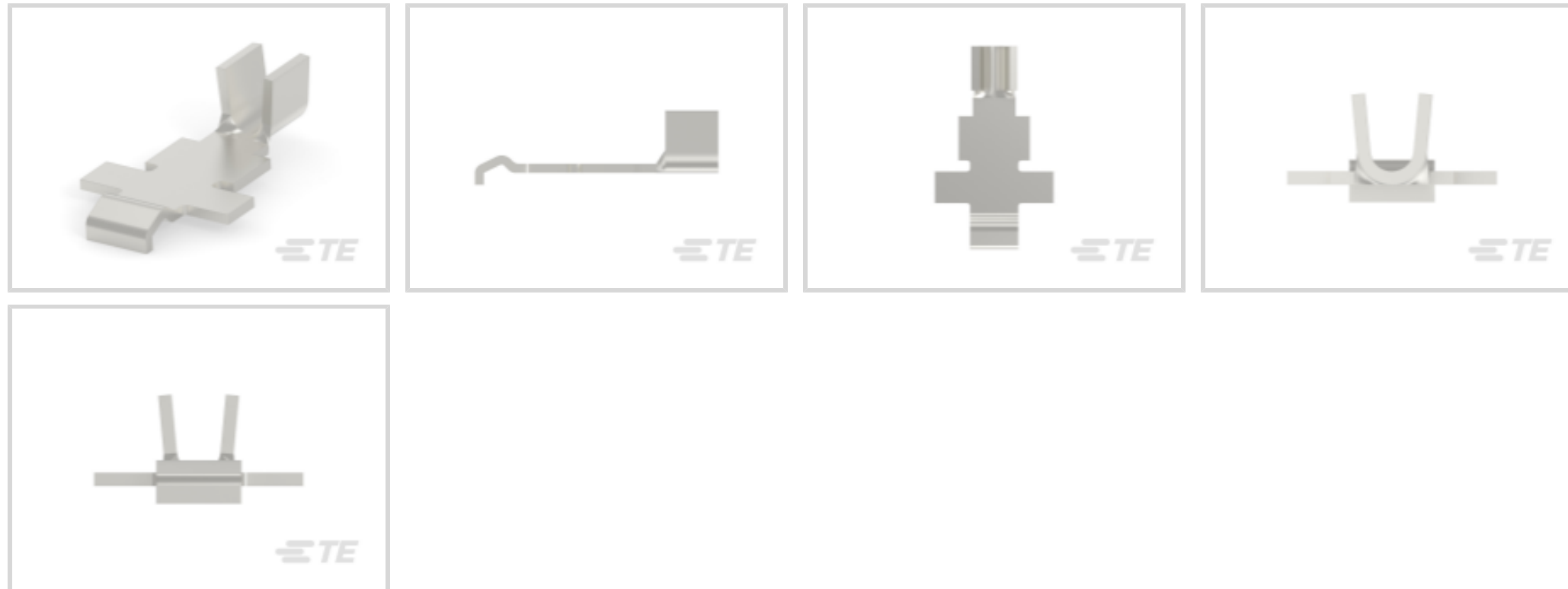
AMP

TE Internal #: 53880-2

Power Contacts, Contact, 600 VAC, Silver, 10 – 6 AWG Wire Size, 4.6 – 13 mm² Wire Size, 9072 – 26244 CMA Wire Size, Wire & Cable, Crimp, Power

[View on TE.com >](#)

Connectors > Power Connectors > Power Contacts



Power Contact Type: **Contact**

Operating Voltage: **600 VAC**

Contact Mating Area Plating Material: **Silver**

Wire Size: **4.6 – 13 mm²**

Features

Product Type Features

Compatible With Discrete Wire Type	Solid, Stranded
Power Contact Type	Contact
Sealable	No
Connector & Contact Terminates To	Wire & Cable

Electrical Characteristics

Operating Voltage	600 VAC
-------------------	---------

Contact Features

Barrel Type	Open
Contact Mating Area Plating Material	Silver
Contact Current Rating (Max)	53 A
Contact Type	Receptacle
Contact Retention Within Housing	With
Mating Tab Width	7.62 mm[.3 in]
Mating Tab Thickness	1.2 mm[.047 in]
Contact Base Material	Copper



Contact Mating Area Plating Material Thickness	5.08 µm[200 µin]
Contact Mating Area Plating Material Finish	Semi-Bright
Wire Contact Termination Area Plating Thickness	5.08 µm[200 µin]
Wire Contact Termination Area Plating Material	Silver
Wire Contact Termination Area Plating Material Finish	Semi-Bright
Contact Orientation	Straight

Termination Features

Termination Method to Wire & Cable	Crimp
------------------------------------	-------

Mechanical Attachment

Wire Insulation Support	Without
-------------------------	---------

Dimensions

Wire Size	9072 – 26244 CMA
-----------	------------------

Usage Conditions

Operating Temperature Range	-55 – 85 °C[-67 – 185 °F]
-----------------------------	---------------------------

Operation/Application

Circuit Application	Power
---------------------	-------

Industry Standards

CSA Rating	LR 7189
UL Rating	Recognized
Agency/Standard	CSA, UL

Packaging Features

Packaging Method	Strip
------------------	-------

Product Compliance

[For compliance documentation, visit the product page on TE.com>](#)

EU RoHS Directive 2011/65/EU	Compliant
EU ELV Directive 2000/53/EC	Compliant
China RoHS 2 Directive MIIT Order No 32, 2016	No Restricted Materials Above Threshold
EU REACH Regulation (EC) No. 1907/2006	Current ECHA Candidate List: JUNE 2023 (235) Candidate List Declared Against: JUNE 2023 (235) Does not contain REACH SVHC

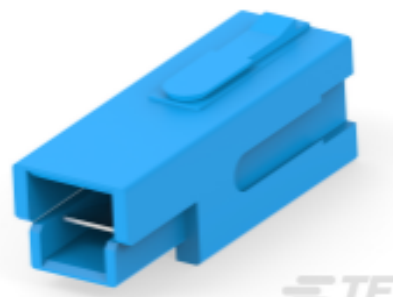

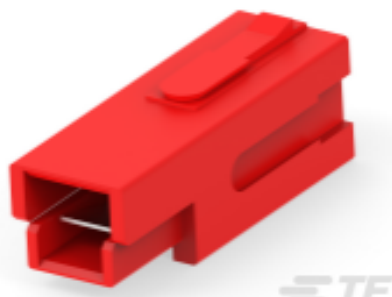




Halogen Content	Low Halogen - Br, Cl, F, I < 900 ppm per homogenous material. Also BFR/CFR/PVC Free
Solder Process Capability	Not applicable for solder process capability

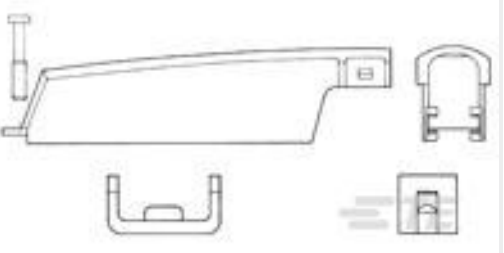
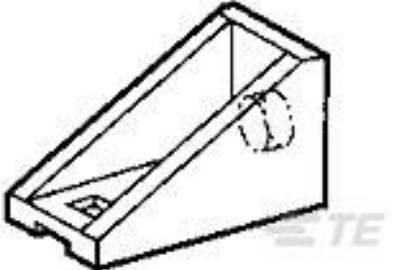


Product Compliance Disclaimer

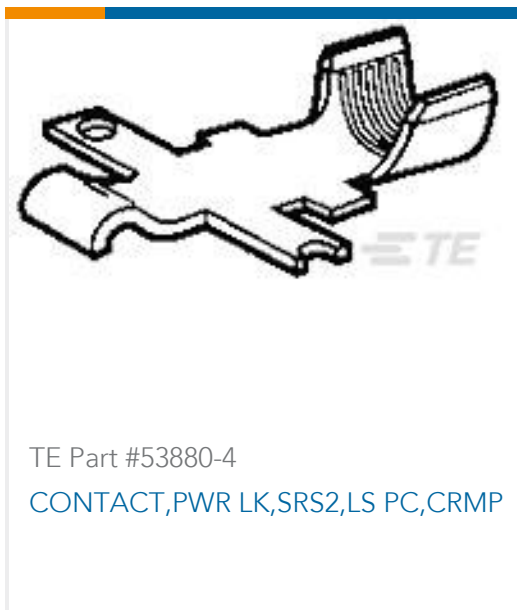
This information is provided based on reasonable inquiry of our suppliers and represents our current actual knowledge based on the information they provided. This information is subject to change. The part numbers that TE has identified as EU RoHS compliant have a maximum concentration of 0.1% by weight in homogenous materials for lead, hexavalent chromium, mercury, PBB, PBDE, DBP, BBP, DEHP, DIBP, and 0.01% for cadmium, or qualify for an exemption to these limits as defined in the Annexes of Directive 2011/65/EU (RoHS2). Finished electrical and electronic equipment products will be CE marked as required by Directive 2011/65/EU. Components may not be CE marked. Additionally, the part numbers that TE has identified as EU ELV compliant have a maximum concentration of 0.1% by weight in homogenous materials for lead, hexavalent chromium, and mercury, and 0.01% for cadmium, or qualify for an exemption to these limits as defined in the Annexes of Directive 2000/53/EC (ELV). Regarding the REACH Regulation, the information TE provides on SVHC in articles for this part number is based on the latest European Chemicals Agency (ECHA) 'Guidance on requirements for substances in articles' posted at this URL: <https://echa.europa.eu/guidance-documents/guidance-on-reach>

Compatible Parts

 <p>TE Part # 53884-1 HSG ASSY,PWR LK,SRS2,1 POS,BLU</p>	 <p>TE Part # 53884-3 HSG ASSY,PWR LK,SRS2,1 POS,BLK</p>	 <p>TE Part # 53884-4 HSG ASSY,PWR LK,SRS2,1 POS,RED</p>	 <p>TE Part # 1385341-1 HDM 9SAPR250F LM</p>
 <p>TE Part # 1385341-2 HDM 9SAPR250F K</p>			

Customers Also Bought

 <p>TE Part #5552560-5 COVER KIT TAPERED 50 POS</p>	 <p>TE Part #53886-1 PNL MT ADAPTER,FEMALE,POWER LK</p>	 <p>TE Part #1658622-3 16 NOVO MIL/CTR 30DP, LEAD FREE</p>	 <p>TE Part #1393774-8 V23026A1002B201</p>
--	--	---	---



TE Part #53880-4
CONTACT,PWR LK,SRS2,LS PC,CRMP



TE Part #1-406525-1
IMJ,NO SHLD,8P,TRAY, SN



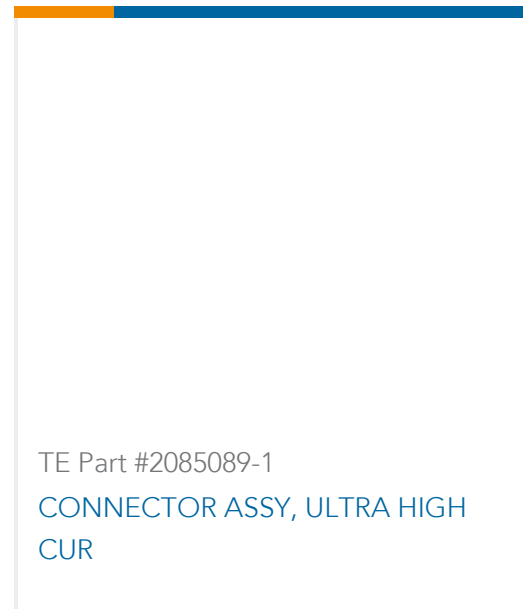
TE Part #1437565-3
FSM101=12MM FSM TYPE WITH RAIS



TE Part #8-1879354-1
RR03 5% 680R AMMO



TE Part #1-1614958-6
CPF 0805 1R4 0.1% 25ppm 1K RL



TE Part #2085089-1
CONNECTOR ASSY, ULTRA HIGH CUR

Documents

Product Drawings

CONTACT,PWR LK,SRS2,STRIP,CRMP

English

CAD Files

3D PDF

3D

Customer View Model

[ENG_CVM_CVM_53880-2_AK.2d_dxf.zip](#)

English

Customer View Model

[ENG_CVM_CVM_53880-2_AK.3d_igs.zip](#)

English

Customer View Model

[ENG_CVM_CVM_53880-2_AK.3d_stp.zip](#)

English

Customer View Model

[ENG_CVM_53880-2_M.3d_igs.zip](#)

English

Customer View Model

[ENG_CVM_53880-2_M.3d_stp.zip](#)

English

Customer View Model

[ENG_CVM_53880-2_M.2d_dxf.zip](#)

English

3D PDF

English



By downloading the CAD file I accept and agree to the [Terms and Conditions](#) of use.

Product Specifications

Application Specification

English

Application Specification

Japanese

Power-Lock 75 Series Contacts

Japanese

Product Environmental Compliance

TE Material Declaration

English

Instruction Sheets

Instruction Sheet (U.S.)

English

Power Lock Connectors (Series II) (Accept Contacts 53880 and 54330)

English

Instruction Sheet (U.S.)

English