

536019-5 ✓ ACTIVE

EUROCARD | Eurocard Type R

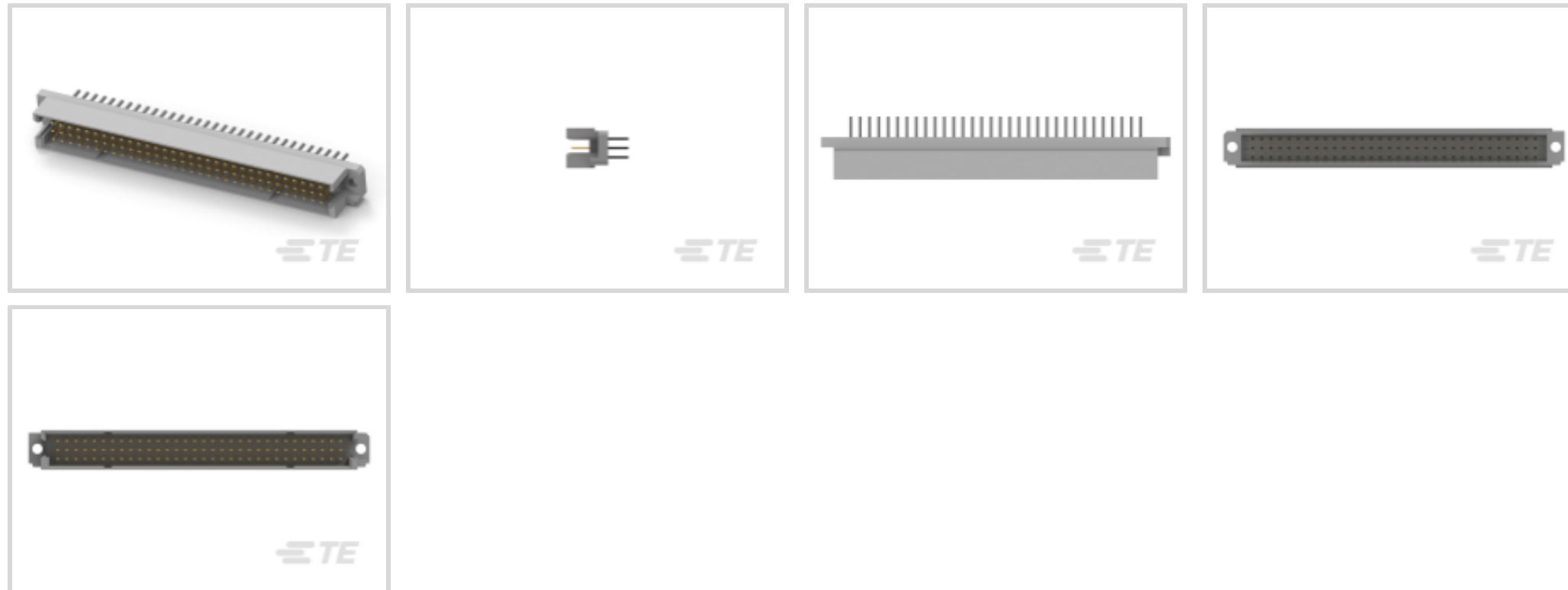
TE Internal #: 536019-5

Eurocard Connectors, Plug, Board-to-Board, 96 Position, .1 in [2.54 mm] Centerline, Printed Circuit Board, 3 Row, Vertical, 32 Column, Eurocard Type R

[View on TE.com >](#)



Connectors > PCB Connectors > Backplane Connectors > Eurocard Connectors



Connector & Housing Type: **Plug**

Connector System: **Board-to-Board**

Termination Post & Tail Length: **5.59 mm [.22 in]**

Number of Positions: **96**

Centerline (Pitch): **2.54 mm [.1 in]**

Features

Product Type Features

| | |
|-----------------------------------|-----------------------|
| Connector & Housing Type | Plug |
| Connector System | Board-to-Board |
| Connector & Contact Terminates To | Printed Circuit Board |
| DIN Size | Half |
| DIN Level | II |

Configuration Features

| | |
|---------------------------------|-------------------------|
| Mating & Unmating Configuration | Make First / Break Last |
| Number of Positions | 96 |
| Number of Rows | 3 |
| PCB Mount Orientation | Vertical |
| Number of Columns | 32 |
| Number of Signal Positions | 96 |
| Rows Loaded | A, B, C |

Body Features



| | |
|-----------------------|------|
| Primary Product Color | Gray |
|-----------------------|------|

Contact Features

| | |
|---|--|
| PCB Contact Termination Area Plating Material Thickness | 2.54 – 5.08 μm [99.9998 – 199.9996 μin] |
| Contact Type | Pin |
| Contact Mating Area Plating Material Thickness | .076 – .127 μm [2.99212 – 4.99999 μin] |
| Contact Mating Area Plating Material | Gold |
| PCB Contact Termination Area Plating Material | Tin-Lead |
| Contact Base Material | Phosphor Bronze |
| Contact Current Rating (Max) | 3 A |

Termination Features

| | |
|---|--------------------------|
| Termination Method to Printed Circuit Board | Through Hole - Press-Fit |
| Termination Post & Tail Length | 5.59 mm[.22 in] |

Mechanical Attachment

| | |
|--------------------------|-----------------------|
| Mating Retention | With |
| Mating Alignment | Without |
| PCB Mount Alignment | Without |
| Panel Mount Feature | Without |
| PCB Mount Retention | With |
| PCB Mount Retention Type | Action/Compliant Tail |
| Connector Mounting Type | Board Mount |

Housing Features

| | |
|--------------------|----------------|
| Housing Material | Polyester - GF |
| Centerline (Pitch) | 2.54 mm[.1 in] |

Dimensions

| | |
|-----------------------------|-------------------|
| Connector Height | 11.51 mm[.452 in] |
| PCB Thickness (Recommended) | 2.36 mm[.093 in] |
| Row-to-Row Spacing | 2.54 mm[.1 in] |

Usage Conditions

| | |
|-----------------------------|--|
| Operating Temperature Range | -55 – 105 $^{\circ}\text{C}$ [-67 – 221 $^{\circ}\text{F}$] |
|-----------------------------|--|

Operation/Application

| | |
|---------------------|--------|
| Shielded | No |
| Circuit Application | Signal |



Packaging Features

| Packaging Method | Package |
|------------------|---------|
|------------------|---------|

Product Compliance

[For compliance documentation, visit the product page on TE.com>](#)

| | |
|---|---|
| EU RoHS Directive 2011/65/EU | Not Compliant |
| EU ELV Directive 2000/53/EC | Compliant with Exemptions |
| China RoHS 2 Directive MIIT Order No 32, 2016 | Restricted Materials Above Threshold |
| EU REACH Regulation (EC) No. 1907/2006 | Current ECHA Candidate List: JUNE 2023 (235) Candidate List Declared Against: JUNE 2023 (235) SVHC > Threshold: Pb (13% in Component Part) Article Safe Usage Statements: Do not eat, drink or smoke when using this product. Wash thoroughly after handling. Recycle if possible and dispose of the article by following all applicable governmental regulations relevant to your geographic location. |
| Halogen Content | Not Low Halogen - contains Br or Cl > 900 ppm. |
| Solder Process Capability | Not applicable for solder process capability |

Product Compliance Disclaimer

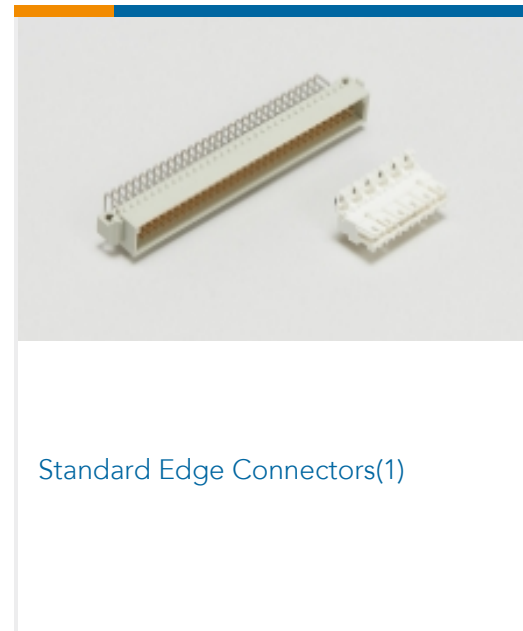
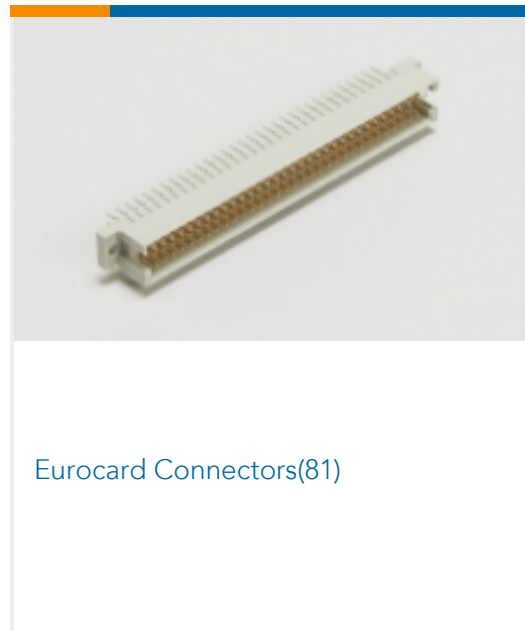
This information is provided based on reasonable inquiry of our suppliers and represents our current actual knowledge based on the information they provided. This information is subject to change. The part numbers that TE has identified as EU RoHS compliant have a maximum concentration of 0.1% by weight in homogenous materials for lead, hexavalent chromium, mercury, PBB, PBDE, DBP, BBP, DEHP, DIBP, and 0.01% for cadmium, or qualify for an exemption to these limits as defined in the Annexes of Directive 2011/65/EU (RoHS2). Finished electrical and electronic equipment products will be CE marked as required by Directive 2011/65/EU. Components may not be CE marked. Additionally, the part numbers that TE has identified as EU ELV compliant have a maximum concentration of 0.1% by weight in homogenous materials for lead, hexavalent chromium, and mercury, and 0.01% for cadmium, or qualify for an exemption to these limits as defined in the Annexes of Directive 2000/53/EC (ELV). Regarding the REACH Regulation, the information TE provides on SVHC in articles for this part number is based on the latest European Chemicals Agency (ECHA) 'Guidance on requirements for substances in articles' posted at this URL: <https://echa.europa.eu/guidance-documents/guidance-on-reach>

Compatible Parts

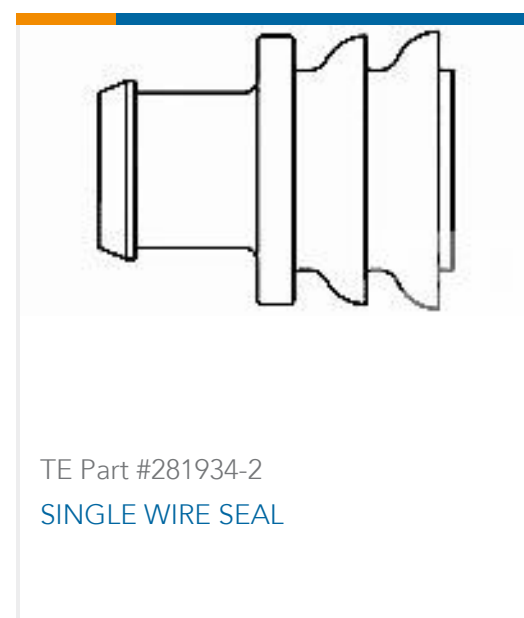
| | | | |
|---|---|---|---|
|  <p>TE Part # 5650908-5 ASSY,PIN,EUROCARD,TYPE R,LEAD-</p> |  <p>TE Part # 5650461-4 ASSY,RECEPTACLE,EUROCARD,TYPE</p> |  <p>TE Part # 5650895-4 ASSY,RECEPT,EUROCARD,TYPE R,LE</p> |  <p>TE Part # 5650470-5 ASSY,PIN,EUROCARD,TYPE R,LEAD-</p> |
|---|---|---|---|



Also in the Series | Eurocard Type R



Customers Also Bought



Documents

Product Drawings

096 EURO TYP R PIN AP MFBL ASY

English

CAD Files

3D PDF

English



Customer View Model

[ENG_CVM_536019-5_H.2d_dxf.zip](#)

English

Customer View Model

[ENG_CVM_536019-5_H.3d_igs.zip](#)

English

Customer View Model

[ENG_CVM_536019-5_H.3d_stp.zip](#)

English

By downloading the CAD file I accept and agree to the [Terms and Conditions](#) of use.

Product Specifications

[Application Specification](#)

English