



PIDG

TE Internal #: 53550-1

Splices, Butt Splice, 12 – 10 AWG Wire Size, 3 – 6 mm² Wire Size, Serrated, .129 in [3.28 mm] Barrel Inside Diameter, 5180 – 13100 CMA Wire Size, PIDG

[View on TE.com >](#)

Terminals & Splices > Splices > PIDG Butt Splices



Wire Size: 3 – 6 mm²

Sealable: No

Splice Features: **Serrated**

Compatible Insulation Diameter Range: 5.59 mm [.22 in]

[All PIDG Butt Splices \(28\)](#)

Features

Product Type Features

Sealable	No
Splice Type	Butt Splice
Compatible With Discrete Wire Type	Stranded
Wire Insulation Support Retention Type	Insulation Support

Configuration Features

Compatible With Wire & Cable Type	Discrete Wire
-----------------------------------	---------------

Body Features

Product Weight	10 g
Insulation Support Sleeve Material	Copper
Insulation Material	PVF2
Splice Features	Serrated

Contact Features

Military Part Class	Class I
Terminal Plating Material	Tin-Lead
Contact Base Material	Copper
Barrel Type	Closed



Mechanical Attachment

Wire Insulation Support	With
-------------------------	------

Dimensions

Wire Size	5180 – 13100 CMA
Compatible Insulation Diameter Range	5.59 mm[.22 in]
Barrel Inside Diameter	3.28 mm[.129 in]
Product Length	42.07 mm[.22 in]

Usage Conditions

Insulation Option	Fully Insulated
Operating Temperature Range	150 °C[302 °F]

Industry Standards

Government Qualified Splice	Yes
-----------------------------	-----

Packaging Features

Packaging Quantity	500
Packaging Method	Loose Piece

Product Compliance

[For compliance documentation, visit the product page on TE.com>](#)

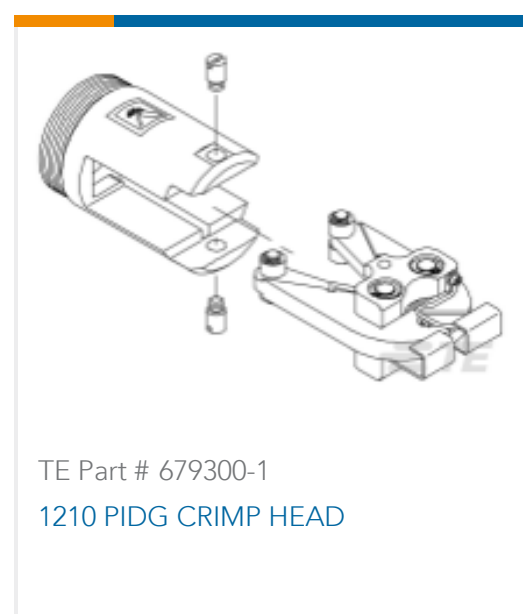
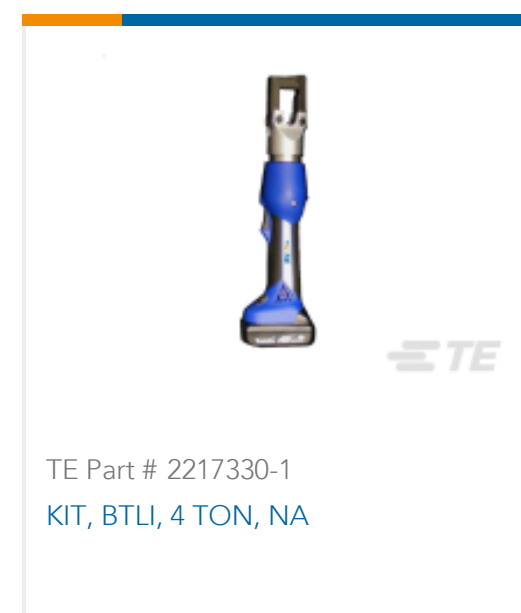
EU RoHS Directive 2011/65/EU	Not Compliant
EU ELV Directive 2000/53/EC	Compliant with Exemptions
China RoHS 2 Directive MIIT Order No 32, 2016	Restricted Materials Above Threshold
EU REACH Regulation (EC) No. 1907/2006	Current ECHA Candidate List: JUNE 2023 (235) Candidate List Declared Against: JUNE 2023 (235) SVHC > Threshold: Pb (13% in Component Part) Article Safe Usage Statements: Do not eat, drink or smoke when using this product. Wash thoroughly after handling. Recycle if possible and dispose of the article by following all applicable governmental regulations relevant to your geographic location.
Halogen Content	Not Low Halogen - contains Br or Cl > 900 ppm.
Solder Process Capability	Not applicable for solder process capability

Product Compliance Disclaimer

This information is provided based on reasonable inquiry of our suppliers and represents our current actual knowledge based on the information they provided. This information is subject to change. The part numbers that TE has identified as EU RoHS compliant have a maximum concentration of 0.1% by weight in homogenous materials for lead, hexavalent

chromium, mercury, PBB, PBDE, DBP, BBP, DEHP, DIBP, and 0.01% for cadmium, or qualify for an exemption to these limits as defined in the Annexes of Directive 2011/65/EU (RoHS2). Finished electrical and electronic equipment products will be CE marked as required by Directive 2011/65/EU. Components may not be CE marked. Additionally, the part numbers that TE has identified as EU ELV compliant have a maximum concentration of 0.1% by weight in homogenous materials for lead, hexavalent chromium, and mercury, and 0.01% for cadmium, or qualify for an exemption to these limits as defined in the Annexes of Directive 2000/53/EC (ELV). Regarding the REACH Regulation, the information TE provides on SVHC in articles for this part number is based on the latest European Chemicals Agency (ECHA) 'Guidance on requirements for substances in articles' posted at this URL: <https://echa.europa.eu/guidance-documents/guidance-on-reach>

Compatible Parts



Also in the Series | **PIDG**



Compression Connectors(17)



Crimp Terminal Housings(1)



Crimp Wire Pins, Tabs & Ferrules(41)



Hand Crimping Tools(2)



Knife Disconnects(11)



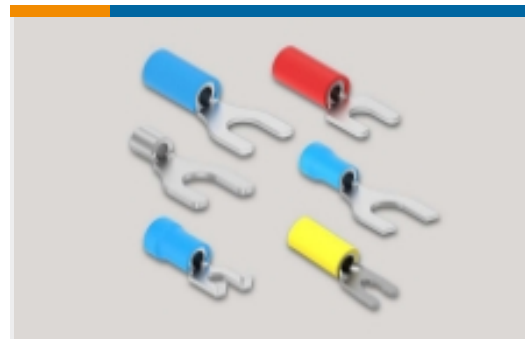
PCB Terminals(7)



Quick Disconnects(49)



Ring Terminals(611)



Spade Terminals(233)

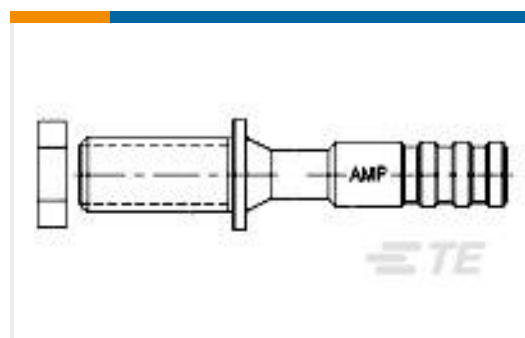


Special Purpose Terminals(1)



Splices(46)

Customers Also Bought



TE Part #5-862197-3
LGH, RECEPTACLE ASS'Y



TE Part #1-321898-0
DG 22-16 HT ALUMEL R 10



TE Part #1393143-7
27E123=SOCKET,KRP,11,SCW,PLE



TE Part #2-1419106-7
27E895=SOCKET,K10,8,OC,POLY,NA



TE Part #5-1393144-5
K10P-11D15-12=K10/K20



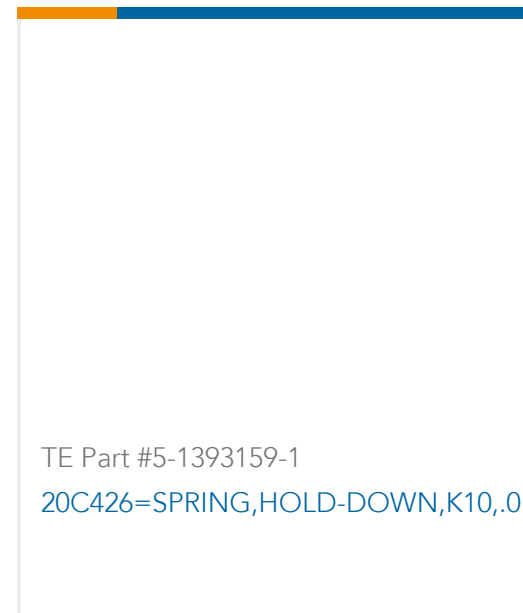
TE Part #1-321897-0
DG 22-16 HT CHROMEL R 8



TE Part #EG2735-000
2022Y1422-9X



TE Part #2-1419106-3
27E891=SOCKET,KRPA,8,OCTAL,POL



Documents

Product Drawings

[SPLICE BUTT PVF2 PIDG 12-10](#)

English

CAD Files

[3D PDF](#)

English

Customer View Model

[ENG_CVM_53550-1_M.3d_igs.zip](#)

English

Customer View Model

[ENG_CVM_53550-1_M.3d_stp.zip](#)

English

Customer View Model

[ENG_CVM_53550-1_M.2d_dxf.zip](#)

English

By downloading the CAD file I accept and agree to the [Terms and Conditions](#) of use.

Datasheets & Catalog Pages

[RADIATION_RESISTANT_PRE-INSULATED_TERMINALS_SPLICES](#)

English

Product Specifications

[Application Specification](#)

English