

53547-1 ✓ ACTIVE



## PIDG

TE Internal #: 53547-1

Splices, Butt Splice, 24 – 20 AWG Wire Size, .2 – .6 mm<sup>2</sup> Wire Size, Serrated, .043 in [1.09 mm] Barrel Inside Diameter, 320 – 1290 CMA Wire Size, PIDG

[View on TE.com >](#)

Terminals & Splices > Splices > PIDG Butt Splices



Wire Size: .2 – .6 mm<sup>2</sup>

Sealable: **No**

Splice Features: **Serrated**

Compatible Insulation Diameter Range: 2.54 mm [ .1 in ]

[All PIDG Butt Splices \(28\)](#)

## Features

### Product Type Features

Sealable	No
Splice Type	Butt Splice
Compatible With Discrete Wire Type	Stranded
Wire Insulation Support Retention Type	Insulation Support

### Configuration Features

Compatible With Wire & Cable Type	Discrete Wire
-----------------------------------	---------------

### Body Features

Insulation Support Sleeve Material	Copper
Insulation Material	PVF2
Splice Features	Serrated

### Contact Features

Military Part Class	Class I
Terminal Plating Material	Tin-Lead



Contact Base Material	Copper
-----------------------	--------

Barrel Type	Closed
-------------	--------

### Mechanical Attachment

Wire Insulation Support	With
-------------------------	------

### Dimensions

Wire Size	320 – 1290 CMA
-----------	----------------

Compatible Insulation Diameter Range	2.54 mm[.1 in]
--------------------------------------	----------------

Barrel Inside Diameter	1.09 mm[.043 in]
------------------------	------------------

Product Length	26.29 mm[1.035 in]
----------------	--------------------

### Usage Conditions

Insulation Option	Fully Insulated
-------------------	-----------------

Operating Temperature Range	150 °C[302 °F]
-----------------------------	----------------

### Industry Standards

Government Qualified Splice	Yes
-----------------------------	-----

### Packaging Features

Packaging Quantity	1000
--------------------	------

Packaging Method	Loose Piece
------------------	-------------

## Product Compliance

[For compliance documentation, visit the product page on TE.com>](#)

EU RoHS Directive 2011/65/EU	Not Compliant
------------------------------	---------------

EU ELV Directive 2000/53/EC	Not Compliant
-----------------------------	---------------

China RoHS 2 Directive MIIT Order No 32, 2016	Restricted Materials Above Threshold
---	--------------------------------------

EU REACH Regulation (EC) No. 1907/2006	<p>Current ECHA Candidate List: JUNE 2023 (235)</p> <p>Candidate List Declared Against: JAN 2021 (211)</p> <p>SVHC &gt; Threshold:</p> <p>Pb (13% in Component)</p>
--	---

#### Article Safe Usage Statements:

Do not eat, drink or smoke when using this product. Wash thoroughly after handling. Recycle if possible and dispose of the article by following all applicable governmental regulations relevant to your geographic location.

Halogen Content	Not Yet Reviewed for halogen content
-----------------	--------------------------------------

Solder Process Capability	Not applicable for solder process capability
---------------------------	--

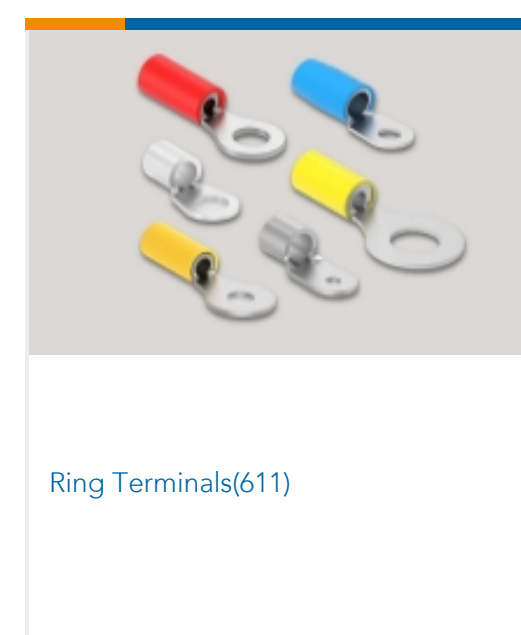
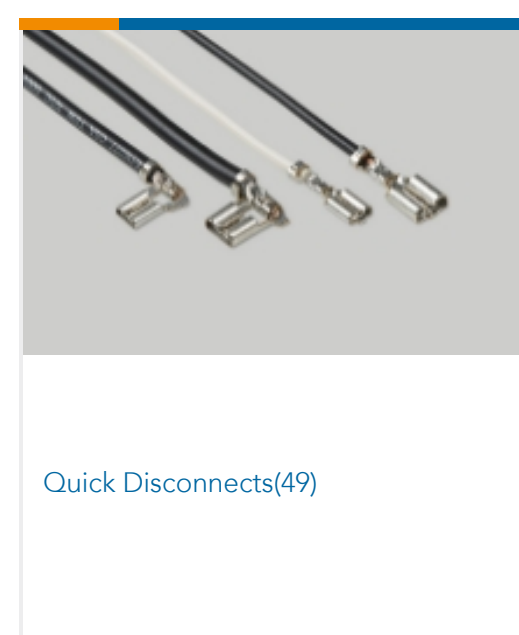
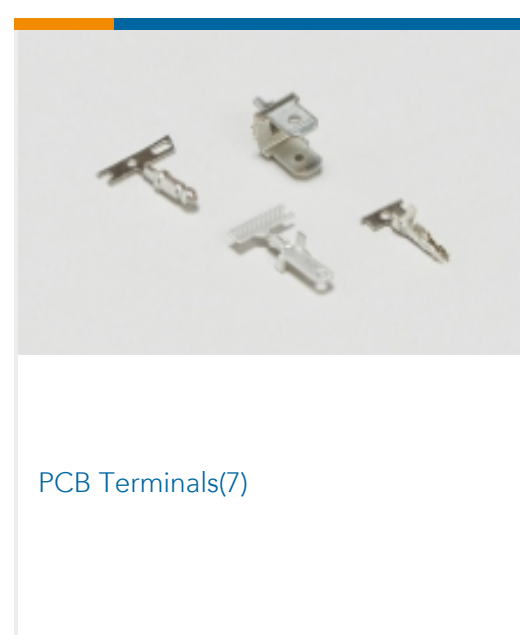
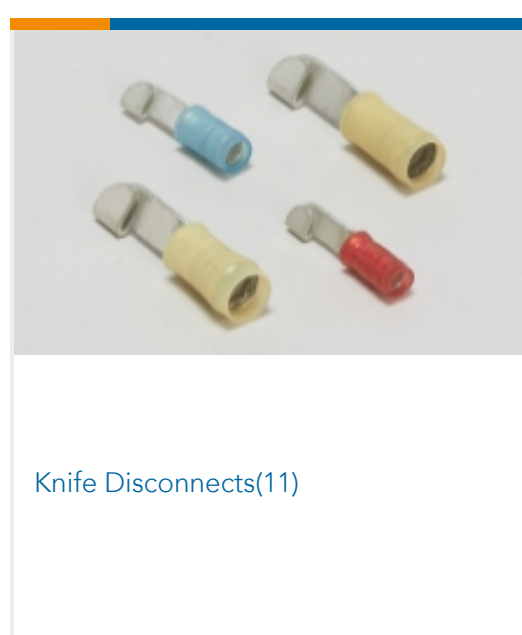
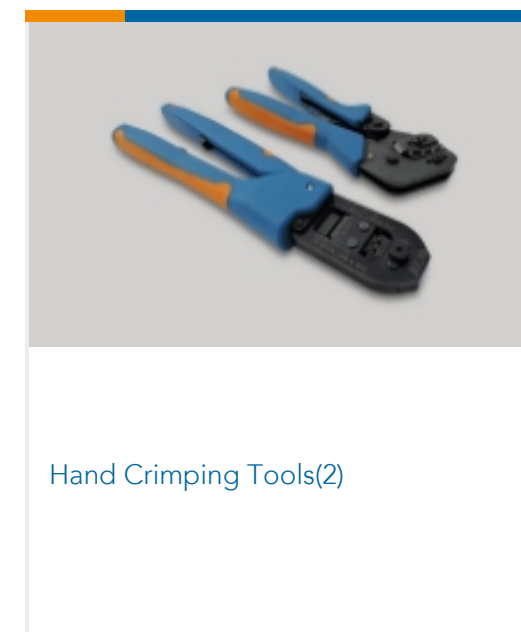
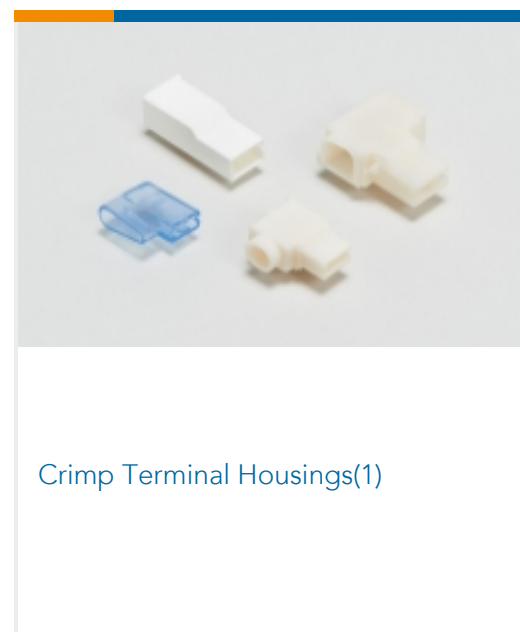
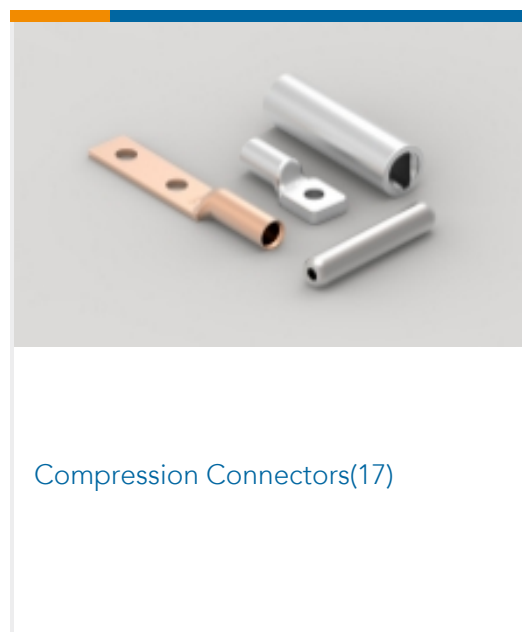
Product Compliance Disclaimer

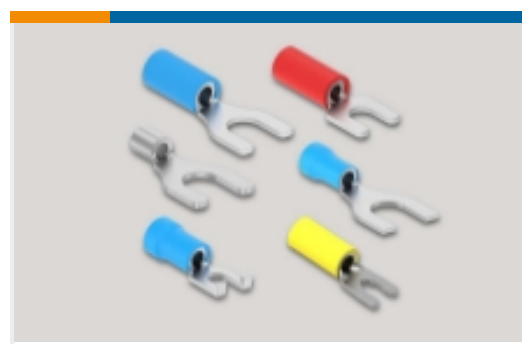
This information is provided based on reasonable inquiry of our suppliers and represents our current actual knowledge based on the information they provided. This information is subject to change. The part numbers that TE has identified as EU RoHS compliant have a maximum concentration of 0.1% by weight in homogenous materials for lead, hexavalent chromium, mercury, PBB, PBDE, DBP, BBP, DEHP, DIBP, and 0.01% for cadmium, or qualify for an exemption to these limits as defined in the Annexes of Directive 2011/65/EU (RoHS2). Finished electrical and electronic equipment products will be CE marked as required by Directive 2011/65/EU. Components may not be CE marked. Additionally, the part numbers that TE has identified as EU ELV compliant have a maximum concentration of 0.1% by weight in homogenous materials for lead, hexavalent chromium, and mercury, and 0.01% for cadmium, or qualify for an exemption to these limits as defined in the Annexes of Directive 2000/53/EC (ELV). Regarding the REACH Regulation, the information TE provides on SVHC in articles for this part number is based on the latest European Chemicals Agency (ECHA) 'Guidance on requirements for substances in articles' posted at this URL: <https://echa.europa.eu/guidance-documents/guidance-on-reach>

## Compatible Parts

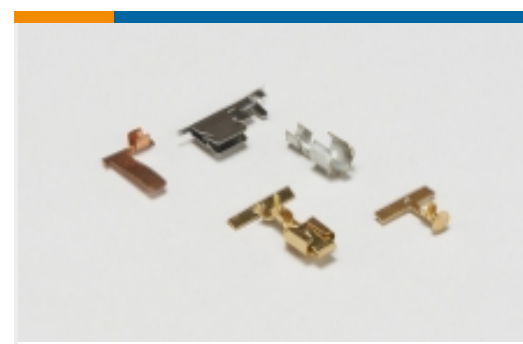


## Also in the Series | PIDG





Spade Terminals(233)



Special Purpose Terminals(1)



Splices(46)

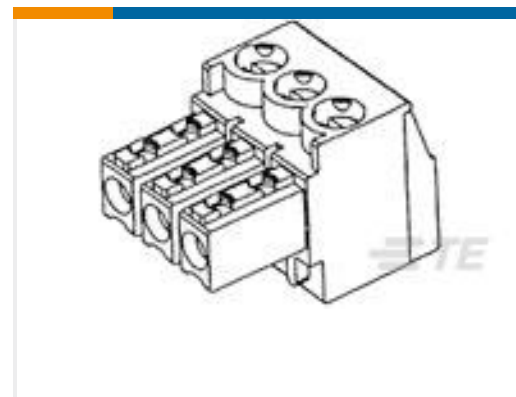
## Customers Also Bought



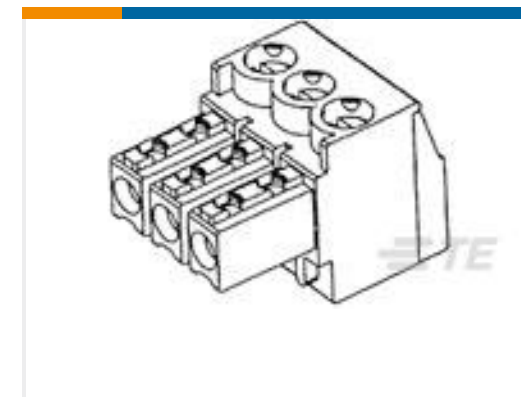
TE Part #2428-015-1805  
BKSHL, 18SZ, BLK, RA,NW13/17/19,  
L017,HDP



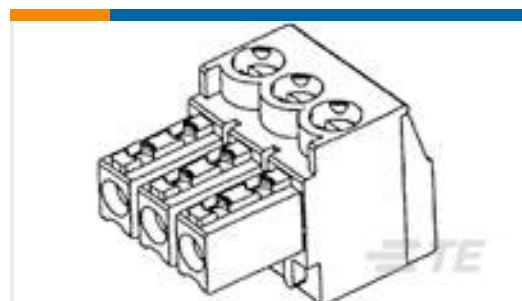
TE Part #487223-3  
016 HOUSING FFC RCPT 100CL DR



TE Part #1-284506-2  
12 POS TERMI-BLOK PLUG STAC 3,



TE Part #284506-3  
3 POS TERMI-BLOK PLUG STACK 3,



TE Part #284506-8  
8 POS TERMI-BLOK PLUG STACK 3,



TE Part #1546310-6  
6P .563" DR BARRIER STRIP



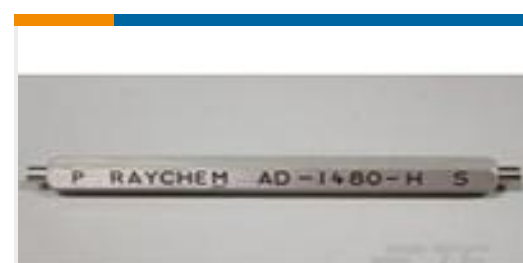
TE Part #1546310-8  
8P .563" DR BARRIER STRIP



TE Part #52044-5  
TERMINAL R PG 2 3/8



TE Part #HDP26-18-14SN-L017  
PLG, 14P, BLK, N, RNG, 16, S



TE Part #994040-000  
AD-1480

## Documents

### Product Drawings

[SPLICE BUTT PVF2 PIDG 24-20](#)

English

### CAD Files

[3D PDF](#)

3D

[Customer View Model](#)

[ENG\\_CVM\\_CVM\\_53547-1\\_R.2d\\_dxf.zip](#)



English

**Customer View Model**

[ENG\\_CVM\\_CVM\\_53547-1\\_R.3d\\_igs.zip](#)

English

**Customer View Model**

[ENG\\_CVM\\_CVM\\_53547-1\\_R.3d\\_stp.zip](#)

English

By downloading the CAD file I accept and agree to the [Terms and Conditions](#) of use.

---

### Datasheets & Catalog Pages

[RADIATION\\_RESISTANT\\_PRE-INSULATED\\_TERMINALS\\_SPLICES](#)

English

---

### Product Specifications

[Application Specification](#)

English