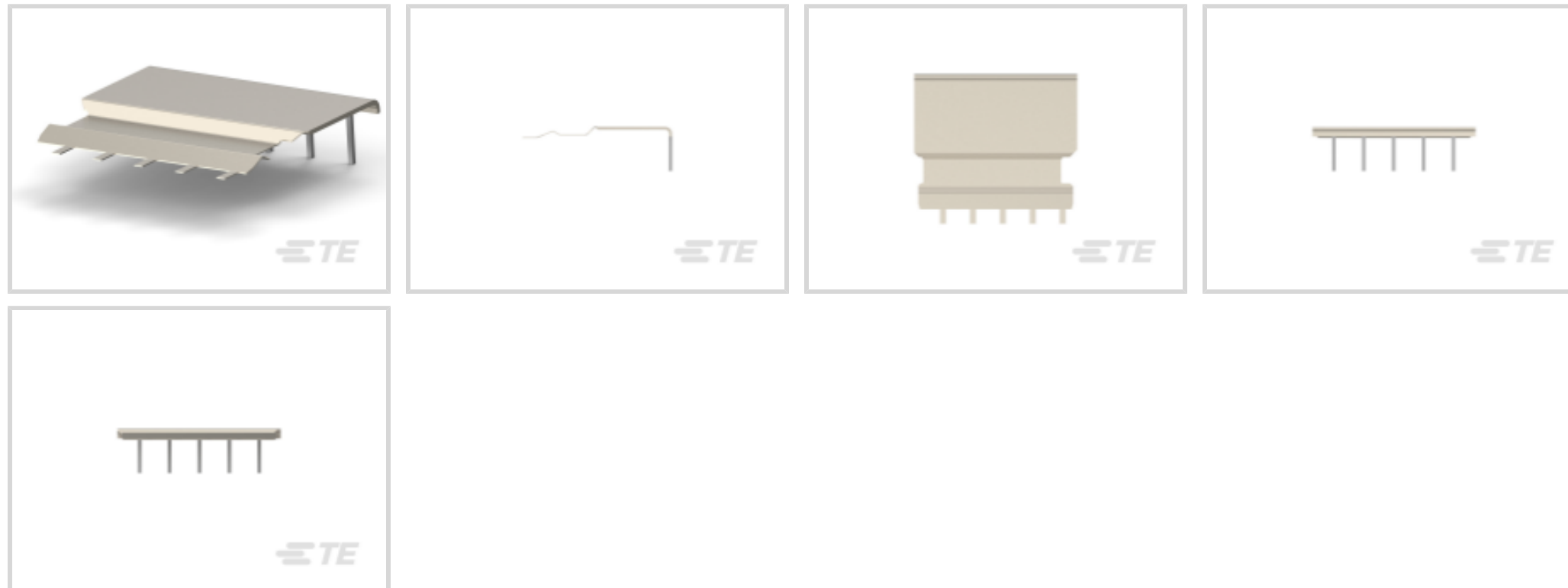




Connectors > Connector Accessories > Connector Caps & Covers



Connector Cover Type: **Shield (Lower)**

### Features

#### Product Type Features

Ground Feature Type	Ground Return Shielding
Connector Cover Type	Shield (Lower)

#### Packaging Features

Packaging Quantity	400
--------------------	-----

#### Other

Connector Accessory Comment	Shields are supplied and fitted separately as required.
-----------------------------	---

### Product Compliance

[For compliance documentation, visit the product page on TE.com>](#)

EU RoHS Directive 2011/65/EU	Compliant
EU ELV Directive 2000/53/EC	Compliant
China RoHS 2 Directive MIIT Order No 32, 2016	No Restricted Materials Above Threshold
EU REACH Regulation (EC) No. 1907/2006	Current ECHA Candidate List: JUNE 2023 (235) Candidate List Declared Against: JUNE 2023 (235) Does not contain REACH SVHC
Halogen Content	Low Halogen - Br, Cl, F, I < 900 ppm per homogenous material. Also BFR/CFR/PVC Free

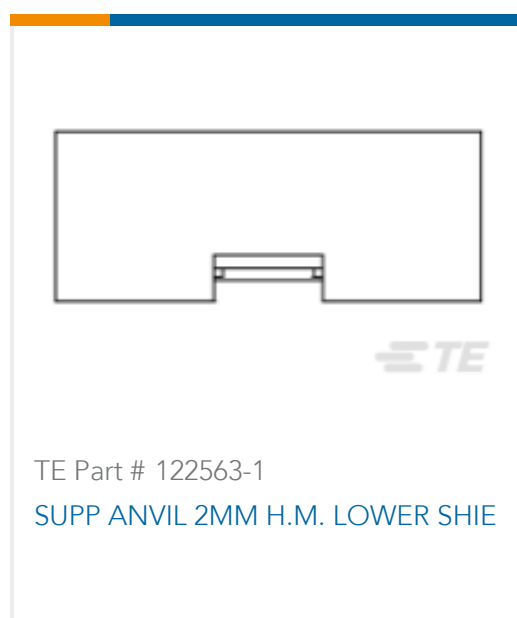
Solder Process Capability

Not applicable for solder process capability

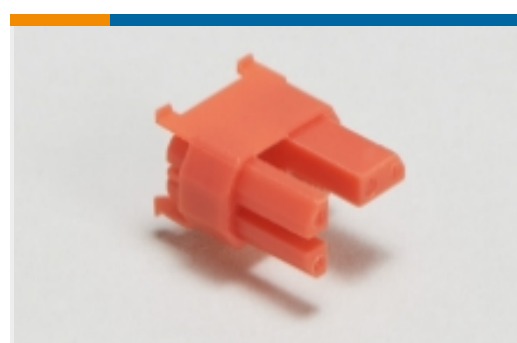
## Product Compliance Disclaimer

This information is provided based on reasonable inquiry of our suppliers and represents our current actual knowledge based on the information they provided. This information is subject to change. The part numbers that TE has identified as EU RoHS compliant have a maximum concentration of 0.1% by weight in homogenous materials for lead, hexavalent chromium, mercury, PBB, PBDE, DBP, BBP, DEHP, DIBP, and 0.01% for cadmium, or qualify for an exemption to these limits as defined in the Annexes of Directive 2011/65/EU (RoHS2). Finished electrical and electronic equipment products will be CE marked as required by Directive 2011/65/EU. Components may not be CE marked. Additionally, the part numbers that TE has identified as EU ELV compliant have a maximum concentration of 0.1% by weight in homogenous materials for lead, hexavalent chromium, and mercury, and 0.01% for cadmium, or qualify for an exemption to these limits as defined in the Annexes of Directive 2000/53/EC (ELV). Regarding the REACH Regulation, the information TE provides on SVHC in articles for this part number is based on the latest European Chemicals Agency (ECHA) 'Guidance on requirements for substances in articles' posted at this URL: <https://echa.europa.eu/guidance-documents/guidance-on-reach>

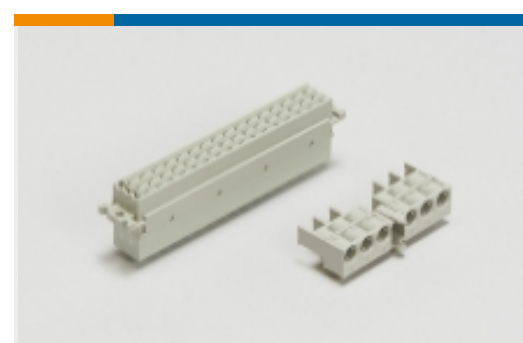
## Compatible Parts



## Also in the Series | Z-PACK 2mm HM



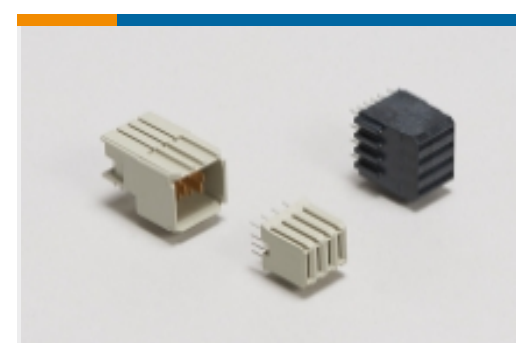
Backplane Coding Keys(60)



Backplane Connector Housings(4)



Backplane Guide Hardware(37)



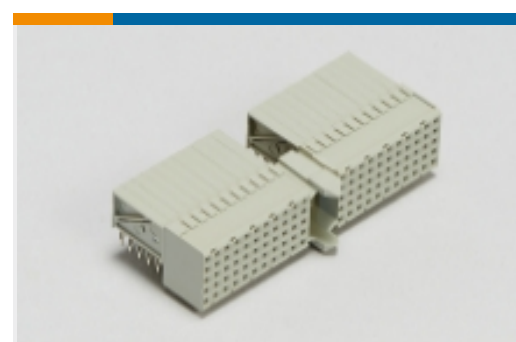
Backplane Power Connectors(6)



Board-to-Board Connector Contacts(2)



Connector Caps &amp; Covers(62)

Hard Metric Backplane Connectors  
(269)

High Speed Backplane Connectors(1)

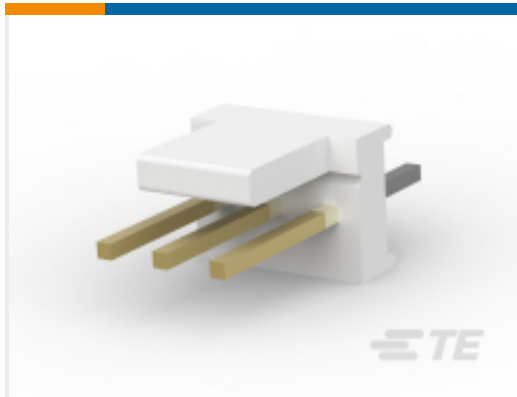


Insertion & Extraction Tools(2)

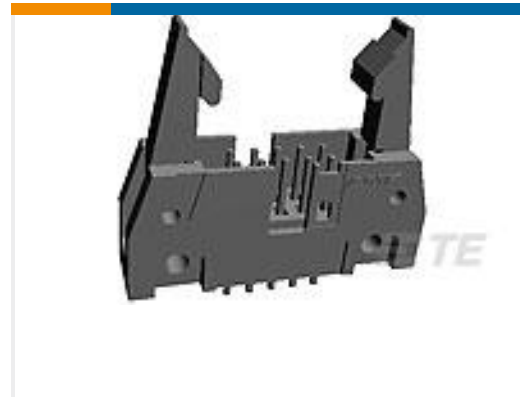


Rectangular Power Connectors(87)

### Customers Also Bought



TE Part #640454-7  
PCB Header: Polyester, Vertical, 2.54 mm



TE Part #5499160-1  
A/L UNIV HDR 10P VERT SHT LAT



TE Part #5-103634-3  
04 MTE HDR SRRA LATCH.100CL LF



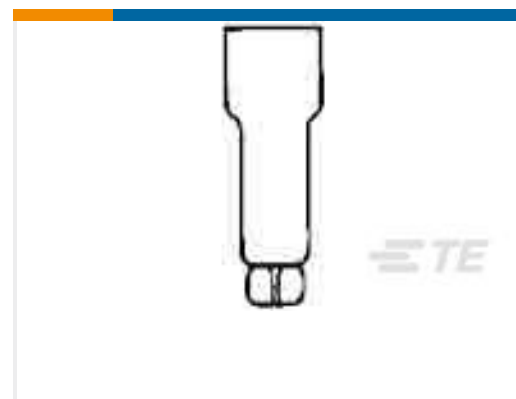
TE Part #5-103168-4  
12 MODII HDR DRST SHRD .100CL



TE Part #640389-3  
03P MTA156 HDR ASSY SQ R/A F/L



TE Part #1-640445-0  
10P MTA156 HDR ASSY FL/STR SN



TE Part #321519  
SPLICE,CE 22-10



TE Part #1734366-2  
Std USB Type A, VT, T/H, White



TE Part #650945-5  
064 EURO TYPE C PIN ST ASSY

### Documents

#### Product Drawings

Z-PACK SHLD.LOWER C

English

#### CAD Files

3D PDF

3D

Customer View Model

ENG\_CVM\_CVM\_5352112-2\_B.2d\_dxf.zip



English

Customer View Model

[ENG\\_CVM\\_CVM\\_5352112-2\\_B.3d\\_igs.zip](#)

English

Customer View Model

[ENG\\_CVM\\_CVM\\_5352112-2\\_B.3d\\_stp.zip](#)

English

By downloading the CAD file I accept and agree to the [Terms and Conditions](#) of use.

---

### Product Specifications

[Application Specification](#)

English

---

### Product Environmental Compliance

[MD\\_5352112-2\\_12182017526\\_dmtec](#)

English

[MD\\_5352112-2\\_12182017526\\_dmtec](#)

English