

532808-1 ✓ ACTIVE

AMP-HDI

TE Internal #: 532808-1

Header & Receptacle Guide Hardware, Guide Pin Kit, -65 – 125 °C

[-65 – 257 °F]

[View on TE.com >](#)



Connectors > PCB Connectors > PCB Connector Accessories > PCB Connector Hardware > Header & Receptacle Guide Hardware



Guide Hardware Accessory Type: **Guide Pin Kit**

Operating Temperature Range: **-65 – 125 °C [-65 – 257 °F]**

Features

Product Type Features

Guide Hardware Accessory Type	Guide Pin Kit
-------------------------------	---------------

Body Features

Guide Pin Type	Static Discharge
Primary Product Material	Stainless Steel

Mechanical Attachment

Product Plating Finish	Passivated
------------------------	------------

Dimensions

Thread Length	10.79 mm[.425 in]
---------------	-------------------

Usage Conditions

Operating Temperature Range	-65 – 125 °C[-65 – 257 °F]
-----------------------------	----------------------------

Product Compliance

[For compliance documentation, visit the product page on TE.com>](#)

EU RoHS Directive 2011/65/EU	Compliant
EU ELV Directive 2000/53/EC	Compliant
China RoHS 2 Directive MIIT Order No 32, 2016	No Restricted Materials Above Threshold



EU REACH Regulation (EC) No. 1907/2006

Current ECHA Candidate List: JUNE 2023 (235)

Candidate List Declared Against: JUNE 2023 (235)

Does not contain REACH SVHC

Halogen Content

Low Halogen - Br, Cl, F, I < 900 ppm per homogenous material. Also BFR/CFR/PVC Free

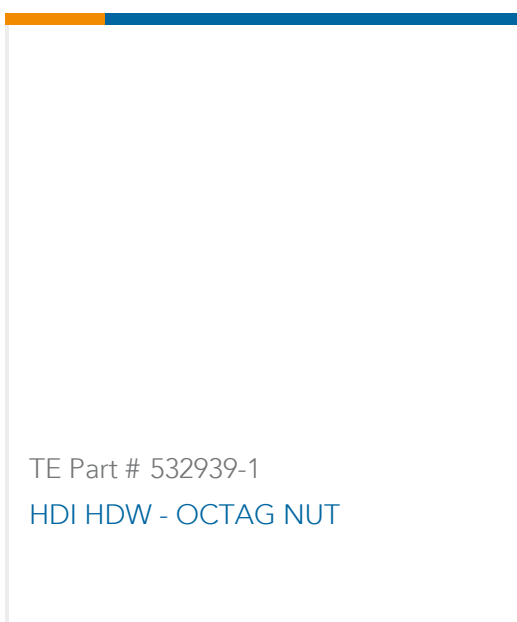
Solder Process Capability

Not applicable for solder process capability

Product Compliance Disclaimer

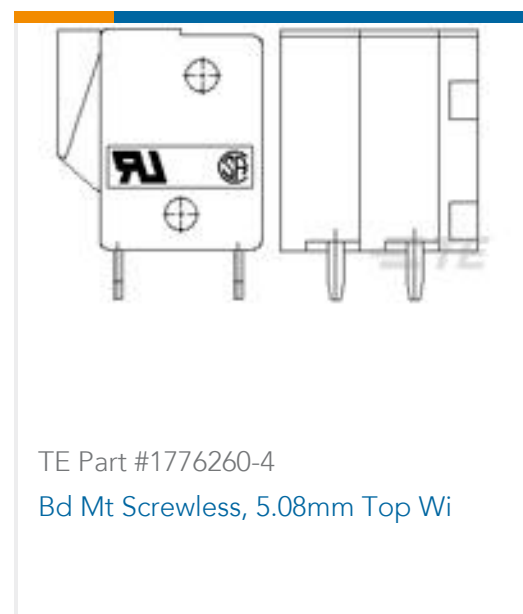
This information is provided based on reasonable inquiry of our suppliers and represents our current actual knowledge based on the information they provided. This information is subject to change. The part numbers that TE has identified as EU RoHS compliant have a maximum concentration of 0.1% by weight in homogenous materials for lead, hexavalent chromium, mercury, PBB, PBDE, DBP, BBP, DEHP, DIBP, and 0.01% for cadmium, or qualify for an exemption to these limits as defined in the Annexes of Directive 2011/65/EU (RoHS2). Finished electrical and electronic equipment products will be CE marked as required by Directive 2011/65/EU. Components may not be CE marked. Additionally, the part numbers that TE has identified as EU ELV compliant have a maximum concentration of 0.1% by weight in homogenous materials for lead, hexavalent chromium, and mercury, and 0.01% for cadmium, or qualify for an exemption to these limits as defined in the Annexes of Directive 2000/53/EC (ELV). Regarding the REACH Regulation, the information TE provides on SVHC in articles for this part number is based on the latest European Chemicals Agency (ECHA) 'Guidance on requirements for substances in articles' posted at this URL: <https://echa.europa.eu/guidance-documents/guidance-on-reach>

Compatible Parts



Customers Also Bought





Documents

Product Drawings

HDI GUIDE PIN KIT

English

CAD Files

3D PDF

3D

Customer View Model

[ENG_CVM_CVM_532808-1_L.2d_dxf.zip](#)

English

Customer View Model

[ENG_CVM_CVM_532808-1_L.3d_igs.zip](#)

English

Customer View Model

[ENG_CVM_CVM_532808-1_L.3d_stp.zip](#)

English

By downloading the CAD file I accept and agree to the [Terms and Conditions](#) of use.

Product Specifications

Application Specification

English

Instruction Sheets

Instruction Sheet (U.S.)

Japanese

Instruction Sheet (U.S.)

English



AMP-HDI CONNECTOR JACKSCREW HARDWARE KITS, GUIDE PINS, AND GUIDE PIN

English