

53222-1 ✓ ACTIVE



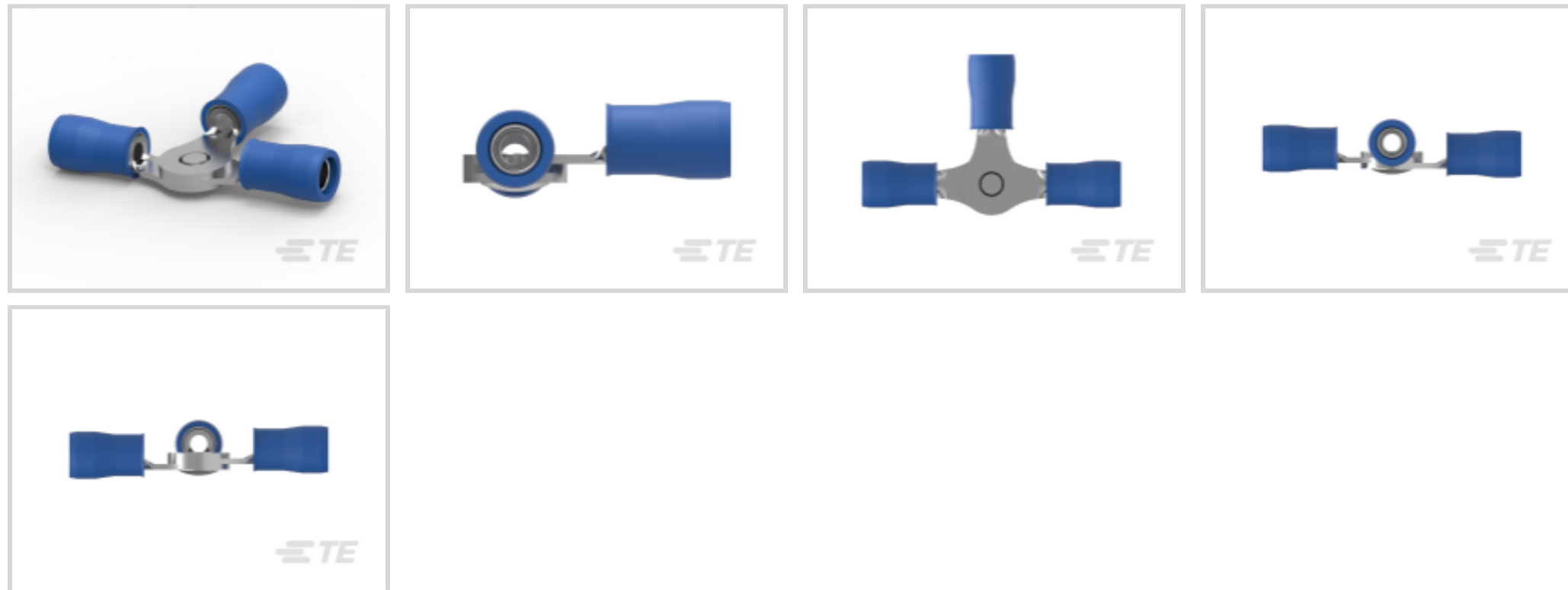
PIDG

TE Internal #: 53222-1

Splices, 3-Way Splice, 16 – 14 AWG Wire Size, 1.25 – 2 mm² Wire Size, Serrated, .175 in [4.45 mm] Barrel Inside Diameter, PIDG

[View on TE.com >](#)

Terminals & Splices > Splices > PIDG 3-WAY CONNECTOR TERMINAL SPLICES



Wire Size: 1.25 – 2 mm²

Sealable: No

Splice Features: **Serrated**

Compatible Insulation Diameter Range: 4.32 mm [.17 in]

[All PIDG 3-WAY CONNECTOR TERMINAL SPLICES \(1\)](#)

Features

Product Type Features

Sealable	No
Splice Type	3-Way Splice
Compatible With Discrete Wire Type	Solid, Stranded
Wire Insulation Support Retention Type	Insulation Support

Configuration Features

Compatible With Wire & Cable Type	Discrete Wire
-----------------------------------	---------------

Body Features

Product Weight	.415 g
Insulation Material	Nylon
Splice Features	Serrated
Primary Product Color	Blue

Contact Features

Terminal Plating Material	Tin
Contact Base Material	Copper



Barrel Type	Closed
-------------	--------

Mechanical Attachment

Wire Insulation Support	With
-------------------------	------

Dimensions

Wire Size	2050 – 5180 CMA
-----------	-----------------

Compatible Insulation Diameter Range	4.32 mm[.17 in]
--------------------------------------	-----------------

Barrel Inside Diameter	4.45 mm[.175 in]
------------------------	------------------

Terminal Material Thickness	.79 mm[.031 in]
-----------------------------	-----------------

Product Length	34.8 mm[1.37 in]
----------------	------------------

Usage Conditions

Insulation Option	Fully Insulated
-------------------	-----------------

Operating Temperature Range	105 °C[221 °F]
-----------------------------	----------------

Industry Standards

Government Qualified Splice	No
-----------------------------	----

Packaging Features

Packaging Quantity	1000
--------------------	------

Packaging Method	Loose Piece
------------------	-------------

Product Compliance

[For compliance documentation, visit the product page on TE.com>](#)

EU RoHS Directive 2011/65/EU	Compliant
------------------------------	-----------

EU ELV Directive 2000/53/EC	Compliant
-----------------------------	-----------

China RoHS 2 Directive MIIT Order No 32, 2016	No Restricted Materials Above Threshold
---	---

EU REACH Regulation (EC) No. 1907/2006	Current ECHA Candidate List: JUNE 2023 (235) Candidate List Declared Against: JUNE 2022 (224) Does not contain REACH SVHC
--	---

Halogen Content	Low Halogen - Br, Cl, F, I < 900 ppm per homogenous material. Also BFR/CFR/PVC Free
-----------------	---

Solder Process Capability	Not applicable for solder process capability
---------------------------	--

Product Compliance Disclaimer

This information is provided based on reasonable inquiry of our suppliers and represents our current actual knowledge based on the information they provided. This information is subject to change. The part numbers that TE has identified as EU RoHS compliant have a maximum concentration of 0.1% by weight in homogenous materials for lead, hexavalent chromium, mercury, PBB, PBDE, DBP, BBP, DEHP, DIBP, and 0.01% for cadmium, or qualify for an exemption to these limits as defined in the Annexes of Directive 2011/65/EU (RoHS2). Finished electrical and electronic equipment products will be CE marked as required by Directive 2011/65/EU. Components may not be CE marked. Additionally, the part numbers that TE has identified as EU ELV compliant have a maximum concentration of 0.1% by weight in homogenous materials for lead, hexavalent chromium, and mercury, and 0.01% for cadmium, or qualify for an exemption to these limits as defined in the Annexes of Directive 2000/53/EC (ELV). Regarding the REACH Regulation, the information TE provides on SVHC in articles for this part number is based on the latest European Chemicals Agency (ECHA) 'Guidance on requirements for substances in articles' posted at this URL: <https://echa.europa.eu/guidance-documents/guidance-on-reach>

Also in the Series | PIDG



Compression Connectors(17)



Crimp Terminal Housings(1)



Crimp Wire Pins, Tabs & Ferrules(41)



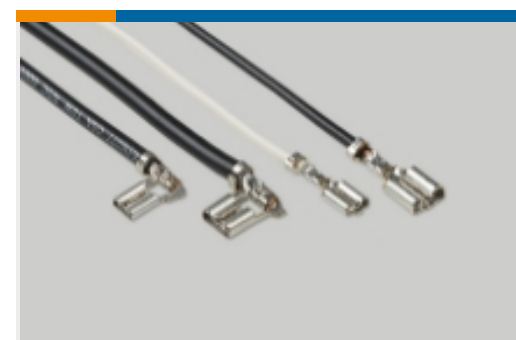
Hand Crimping Tools(2)



Knife Disconnects(11)



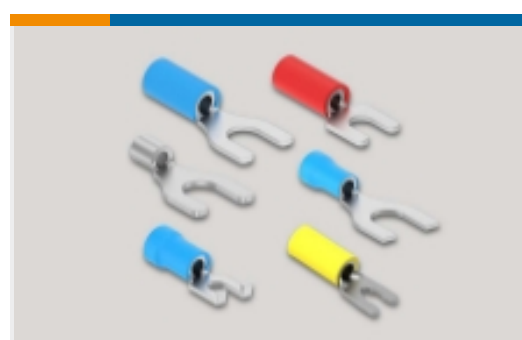
PCB Terminals(7)



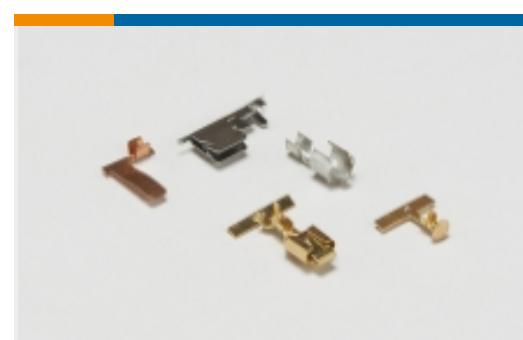
Quick Disconnects(49)



Ring Terminals(611)



Spade Terminals(233)



Special Purpose Terminals(1)



Splices(46)

Customers Also Bought



Documents

Product Drawings

[SPLICE, PIDG 3 WAY 16-14](#)

English

CAD Files

[3D PDF](#)

3D

Customer View Model

[ENG_CVM_CVM_53222-1_D.2d_dxf.zip](#)

English

Customer View Model

[ENG_CVM_CVM_53222-1_D.3d_igs.zip](#)

English

Customer View Model

[ENG_CVM_CVM_53222-1_D.3d_stp.zip](#)

English

By downloading the CAD file I accept and agree to the [Terms and Conditions](#) of use.

Product Specifications

[Application Specification](#)

English