



**AMPOWER**

TE Internal #: 53089

Splices, Butt Splice, .991 in [25.17 mm] Barrel Inside Diameter, 500 kcmil Wire Size, 450000 – 550000 CMA Wire Size, Copper, Gray, AMPOWER

[View on TE.com >](#)

Terminals & Splices > Splices > AMPOWER Butt Splice Long Barrel



Sealable: No

Barrel Inside Diameter: 25.17 mm [ .991 in ]

Wire Size: 450000 – 550000 CMA

Contact Base Material: Copper

[All AMPOWER Butt Splice Long Barrel \(2\)](#)

**Features**

**Product Type Features**

Splice Accessory Type	Splice
Sealable	No
Splice Type	Butt Splice
Compatible With Discrete Wire Type	Stranded

**Configuration Features**

Splice Configuration	Single to Single
Compatible With Wire & Cable Type	Discrete Wire

**Body Features**

Product Weight	233.686 g
Primary Product Color	Gray

**Contact Features**

Terminal Plating Material	150 µin
Terminal Plating Material	Tin
Contact Base Material	Copper
Barrel Type	Closed

**Termination Features**

--	--



Termination Method to Wire & Cable	Crimp
------------------------------------	-------

### Mechanical Attachment

Wire Insulation Support	Without
-------------------------	---------

### Dimensions

Barrel Inside Diameter	25.17 mm[.991 in]
------------------------	-------------------

Wire Size	450000 – 550000 CMA
-----------	---------------------

Product Length	120.65 mm[4.75 in]
----------------	--------------------

### Usage Conditions

Insulation Option	Uninsulated
-------------------	-------------

### Operation/Application

Compatible With Wire Base Material	Copper
------------------------------------	--------

### Industry Standards

Agency/Standard	UL
-----------------	----

Approved Standards	UL E13288
--------------------	-----------

### Packaging Features

Packaging Quantity	25
--------------------	----

Packaging Method	Box
------------------	-----

### Other

Terminals & Splices Comment	Tin Plate per ASTM B-545
-----------------------------	--------------------------

## Product Compliance

[For compliance documentation, visit the product page on TE.com>](#)

EU RoHS Directive 2011/65/EU	Compliant
------------------------------	-----------

EU ELV Directive 2000/53/EC	Compliant
-----------------------------	-----------

China RoHS 2 Directive MIIT Order No 32, 2016	No Restricted Materials Above Threshold
---	---

EU REACH Regulation (EC) No. 1907/2006	Current ECHA Candidate List: JUNE 2023 (235) Candidate List Declared Against: JUNE 2023 (235) Does not contain REACH SVHC
--	---

Halogen Content	Not Yet Reviewed for halogen content
-----------------	--------------------------------------

Solder Process Capability	Not applicable for solder process capability
---------------------------	--

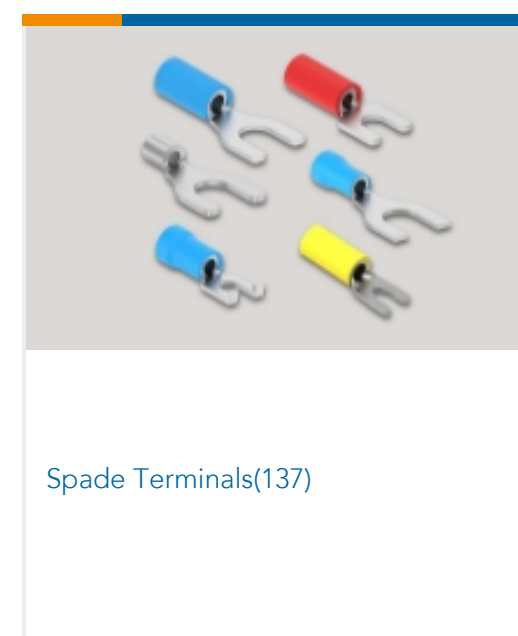
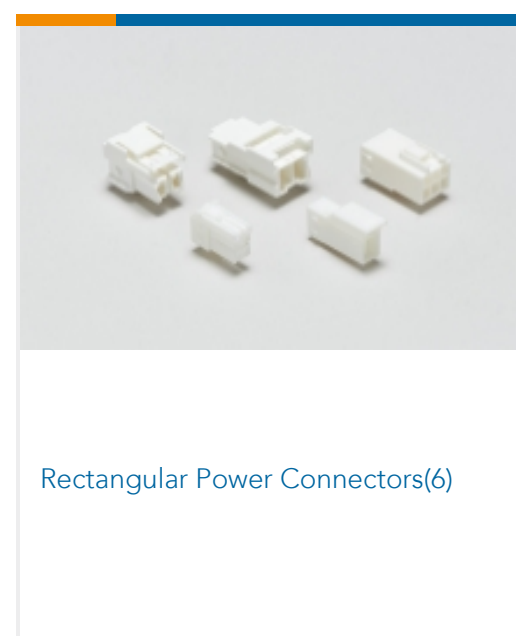
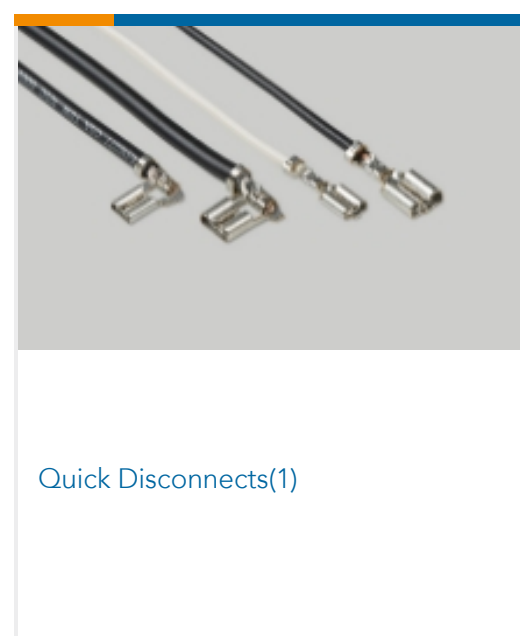
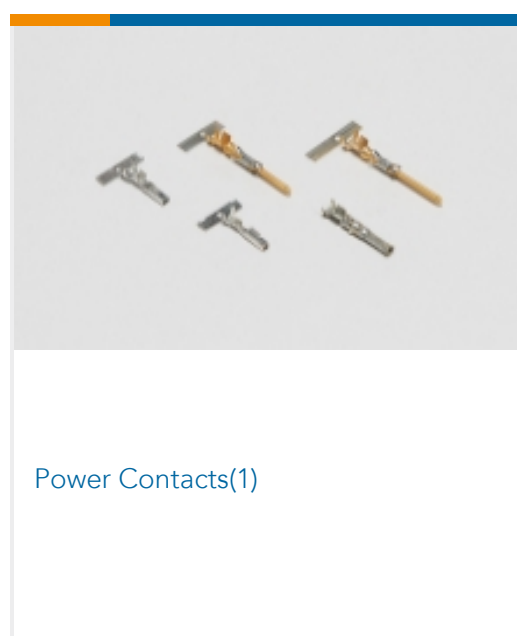
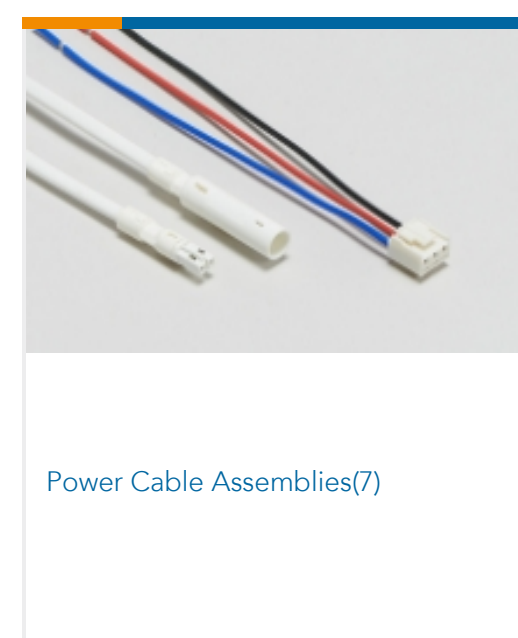
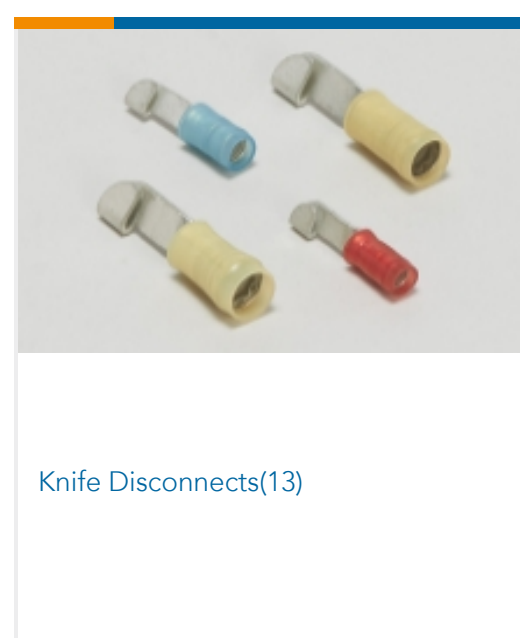
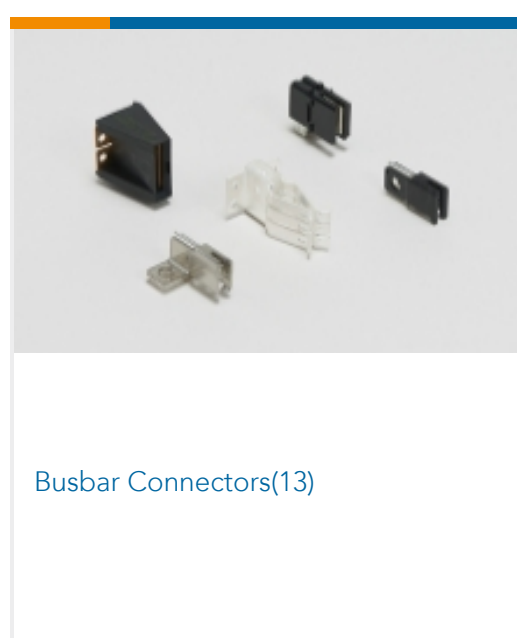
Product Compliance Disclaimer

This information is provided based on reasonable inquiry of our suppliers and represents our current actual knowledge based on the information they provided. This information is subject to change. The part numbers that TE has identified as EU RoHS compliant have a maximum concentration of 0.1% by weight in homogenous materials for lead, hexavalent chromium, mercury, PBB, PBDE, DBP, BBP, DEHP, DIBP, and 0.01% for cadmium, or qualify for an exemption to these limits as defined in the Annexes of Directive 2011/65/EU (RoHS2). Finished electrical and electronic equipment products will be CE marked as required by Directive 2011/65/EU. Components may not be CE marked. Additionally, the part numbers that TE has identified as EU ELV compliant have a maximum concentration of 0.1% by weight in homogenous materials for lead, hexavalent chromium, and mercury, and 0.01% for cadmium, or qualify for an exemption to these limits as defined in the Annexes of Directive 2000/53/EC (ELV). Regarding the REACH Regulation, the information TE provides on SVHC in articles for this part number is based on the latest European Chemicals Agency (ECHA) 'Guidance on requirements for substances in articles' posted at this URL: <https://echa.europa.eu/guidance-documents/guidance-on-reach>

## Compatible Parts

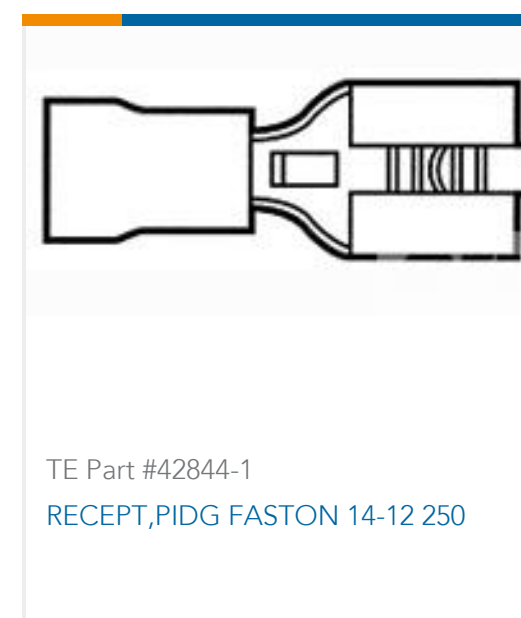
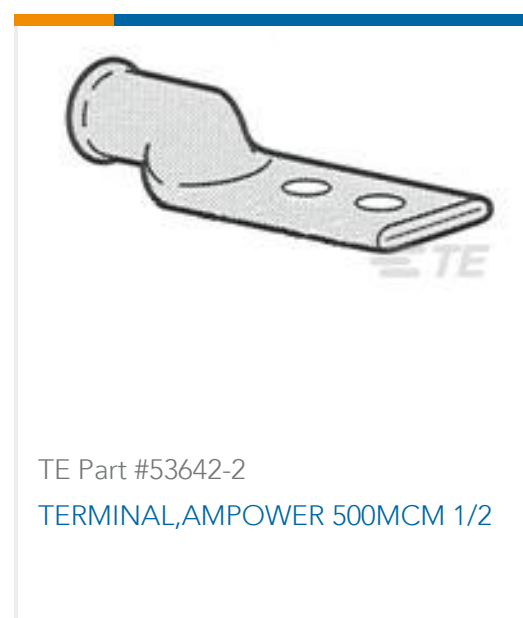
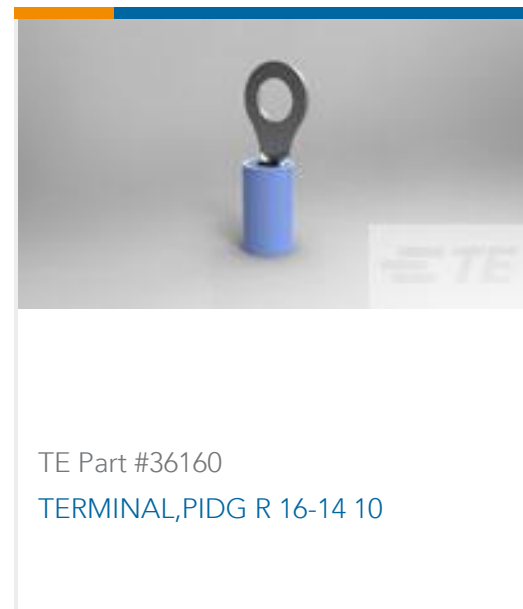


## Also in the Series | AMPOWER





## Customers Also Bought



## Documents

### Product Drawings

[SPLICE,AMPOWER BUTT 500MCM](#)

English

### CAD Files

[3D PDF](#)

3D

Customer View Model

[ENG\\_CVM\\_CVM\\_53089\\_J.2d\\_dxf.zip](#)

English

Customer View Model

[ENG\\_CVM\\_CVM\\_53089\\_J.3d\\_igs.zip](#)

English

Customer View Model

[ENG\\_CVM\\_CVM\\_53089\\_J.3d\\_stp.zip](#)

English

By downloading the CAD file I accept and agree to the [Terms and Conditions](#) of use.



---

**Datasheets & Catalog Pages**

[AMPOWER Terminals and Splices Flyer](#)

English

---

**Agency Approvals**

[UL Report](#)

English