

52956-3 ✓ ACTIVE

PLASTI-GRIP

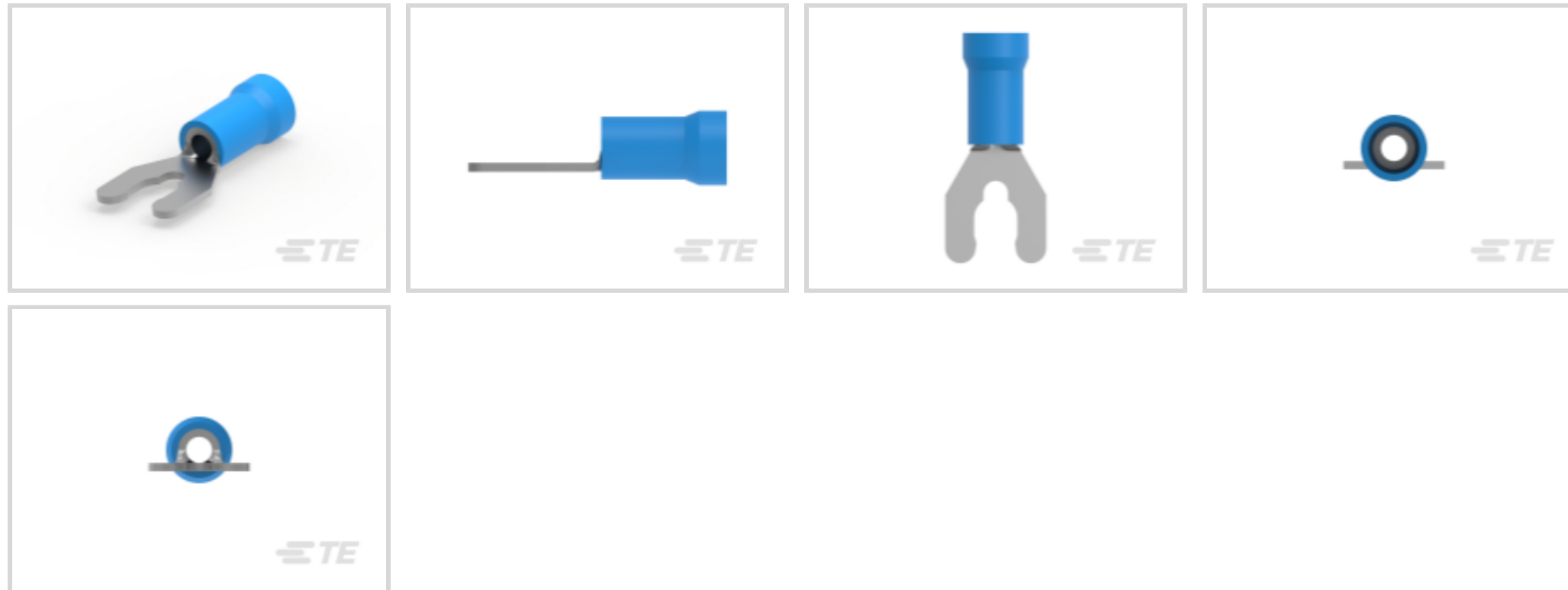
TE Internal #: 52956-3

Spring Spade Terminal, 16 – 14 AWG, #8 / M4 Stud Size, 4.17 mm [.164 in] Stud Diameter, Closed Barrel, Straight, Tin, Partially Insulated, PLASTI-GRIP

[View on TE.com >](#)



Terminals & Splices > Spade Terminals



Spade Terminal Type: **Spring Spade Terminal**

Wire Size: **2050 – 5180 CMA**

Stud Size: **#8, M4**

**Features**

**Product Type Features**

Stud Size	#8, M4
Sealable	No
Wire Insulation Support Retention Type	Insulation Support

**Electrical Characteristics**

Voltage Rating	600 V
----------------	-------

**Body Features**

Insulation Sleeve Color	Blue
Stripe Color	Blue

**Contact Features**

Spade Terminal Type	Spring Spade Terminal
Barrel Type	Closed
Terminal Orientation	Straight
Terminal Plating Material	Tin

**Mechanical Attachment**

Wire Insulation Support	With
-------------------------	------



### Dimensions

Wire Size	2050 – 5180 CMA
Stud Diameter	4.17 mm [.164 in]
Tongue Thickness	.79 mm [.031 in]
Product Length	23.39 mm [.92 in]
Compatible Insulation Diameter (Max)	6.35 mm [.25 in]
Compatible Insulation Diameter Range	3.81 – 6.35 mm [.15 – .25 in]

### Usage Conditions

Insulation Option	Partially Insulated
Operating Temperature Range	105 °C [221 °F]

### Operation/Application

Compatible With Wire Base Material	Copper
Compatible With Wire Plating Material	Tin

### Industry Standards

Government Qualified Terminal	No
-------------------------------	----

### Packaging Features

Packaging Quantity	2500
Packaging Method	Tape Mounted

### Product Compliance

[For compliance documentation, visit the product page on TE.com>](#)

EU RoHS Directive 2011/65/EU	Compliant
EU ELV Directive 2000/53/EC	Compliant
China RoHS 2 Directive MIIT Order No 32, 2016	No Restricted Materials Above Threshold
EU REACH Regulation (EC) No. 1907/2006	Current ECHA Candidate List: JUNE 2023 (235) Candidate List Declared Against: JUNE 2023 (235) Does not contain REACH SVHC
Halogen Content	Not Low Halogen - contains Br or Cl > 900 ppm.
Solder Process Capability	Not applicable for solder process capability

Product Compliance Disclaimer

This information is provided based on reasonable inquiry of our suppliers and represents our current actual knowledge based on the information they provided. This information is subject to change. The part numbers that TE has identified as EU RoHS compliant have a maximum concentration of 0.1% by weight in homogenous materials for lead, hexavalent chromium, mercury, PBB, PBDE, DBP, BBP, DEHP, DIBP, and 0.01% for cadmium, or qualify for an exemption to these limits as defined in the Annexes of Directive 2011/65/EU (RoHS2). Finished electrical and electronic equipment products will be CE marked as required by Directive 2011/65/EU. Components may not be CE marked. Additionally, the part numbers that TE has identified as EU ELV compliant have a maximum concentration of 0.1% by weight in homogenous materials for lead, hexavalent chromium, and mercury, and 0.01% for cadmium, or qualify for an exemption to these limits as defined in the Annexes of Directive 2000/53/EC (ELV). Regarding the REACH Regulation, the information TE provides on SVHC in articles for this part number is based on the latest European Chemicals Agency (ECHA) 'Guidance on requirements for substances in articles' posted at this URL: <https://echa.europa.eu/guidance-documents/guidance-on-reach>

## Compatible Parts

TE Part # 59824-1  
TETRA-CRIMP PIDG PG FASTON 22-10 ASSY

TE Part # 47387  
DAHT PG PIDG 20-14 ASSY

TE Part # 58423-1  
DIE, RBY IS9252

TE Part # 58433-3  
PRO CR ASSY, RBY IS9252

TE Part # 47807-1  
DIES PIDG 16-14 DIE SET

TE Part # 1SET191001R0000  
CRIMP-HT

TE Part # 1SET191002R0000  
TET CRIMP-HT

TE Part # 169404  
CERTI-LOK DIE

## Also in the Series | PLASTI-GRIP

Compression Connectors(3)

Crimp Wire Pins, Tabs & Ferrules(25)

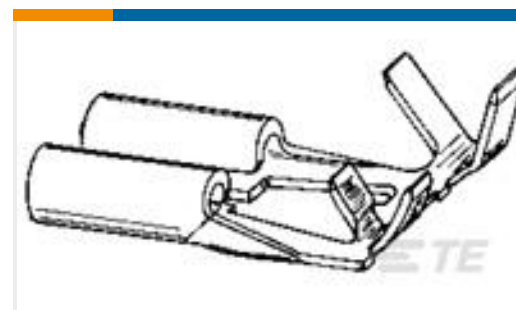
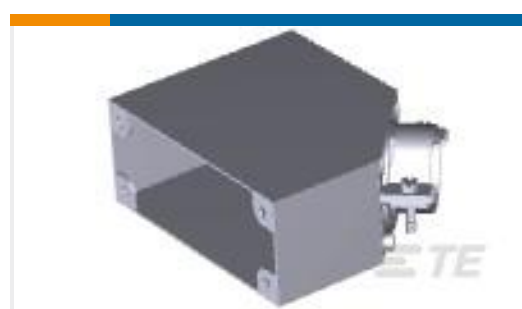
Ring Terminals(333)

Spade Terminals(198)



Splices(50)

## Customers Also Bought

TE Part #DT04-3P-E003  
REC, 3P, GRY, N, CAPTE Part #52937-1  
TERMINAL,PIDG SPR SPD 16-14 10TE Part #2-32051-1  
PIDG Spade Tongue TerminalsTE Part #6609020-8  
5EB3=F7105 S0TE Part #52291-4  
TERMINAL R PG 8 5/16TE Part #53241-2  
PG SPR SPD 22-16COMM 22-18MIL8TE Part #180453-2  
FF 312 REC 1-2.5MM2 TPBRTE Part #61188-1  
250 FASTON FLAG REC 16-12 AWG  
TPBZTE Part #202169-1  
M-SERIES HALF SHIELD KIT

## Documents

### Product Drawings

[TERMINAL,PG SPR SPD 16-14 8](#)

English

### CAD Files

[3D PDF](#)

[3D](#)

[Customer View Model](#)

[ENG\\_CVM\\_CVM\\_52956-3\\_U.2d\\_dxf.zip](#)



English

**Customer View Model**

[ENG\\_CVM\\_CVM\\_52956-3\\_U.3d\\_igs.zip](#)

English

**Customer View Model**

[ENG\\_CVM\\_CVM\\_52956-3\\_U.3d\\_stp.zip](#)

English

By downloading the CAD file I accept and agree to the [Terms and Conditions](#) of use.

---

**Product Specifications**

**Application Specification**

English

---

**Product Environmental Compliance**

**Product Compliance**

English

**Product Compliance**

English

---

**Instruction Sheets**

**Instruction Sheet (U.S.)**

English

**LARGE EXPANSION PRODUCTS (FOR WIRE INSTULATION WITH 1/16" AND 5/64" WA**

English