

52745 ✓ ACTIVE

COPALUM

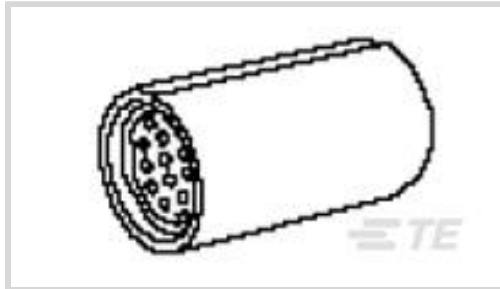
TE Internal #: 52745

Splices, Parallel Splice, Copper, Length .445 in [11.3 mm], Box, Open, Stranded / Solid Wire, Aluminum Wire, Discrete Wire, Uninsulated

[View on TE.com >](#)



Terminals & Splices > Splices > COPALUM Stranded/Solid: Parallel Splices



Sealable: **No**

Compatible Insulation Diameter Range: **5.69 mm [.224 in]**

Contact Base Material: **Copper**

Splice Type: **Parallel Splice**

Terminal Material Thickness: **1.38 mm [.055 in]**

[All COPALUM Stranded/Solid: Parallel Splices \(10\)](#)

Features

Product Type Features

Splice Accessory Type	Splice
Sealable	No
Splice Type	Parallel Splice
Compatible With Discrete Wire Type	Solid, Stranded

Configuration Features

Compatible With Wire & Cable Type	Discrete Wire
-----------------------------------	---------------

Contact Features

Terminal Plating Material	Tin
Contact Base Material	Copper
Barrel Type	Open

Dimensions

Compatible Insulation Diameter Range	5.69 mm[.224 in]
Terminal Material Thickness	1.38 mm[.055 in]
Product Length	11.3 mm[.445 in]

Usage Conditions

Insulation Option	Uninsulated
-------------------	-------------



Operating Temperature Range -65 – 175 °C[-85 – 347 °F]

Operation/Application

Compatible With Wire Base Material Aluminum

Packaging Features

Packaging Quantity 100

Packaging Method Box

Other

Terminals & Splices Comment Not approved for reconnection of residential aluminum branch circuit wiring., When two or more wires are used in a parallel splice, the combined cross-sectional area must be within the CMA range listed.

Product Compliance

[For compliance documentation, visit the product page on TE.com>](#)

EU RoHS Directive 2011/65/EU Compliant

EU ELV Directive 2000/53/EC Compliant

China RoHS 2 Directive MIIT Order No 32, 2016 No Restricted Materials Above Threshold

EU REACH Regulation (EC) No. 1907/2006
Current ECHA Candidate List: JUNE 2023 (235)
Candidate List Declared Against: JAN 2023 (233)
Does not contain REACH SVHC

Halogen Content Low Halogen - Br, Cl, F, I < 900 ppm per homogenous material. Also BFR/CFR/PVC Free

Solder Process Capability Not applicable for solder process capability

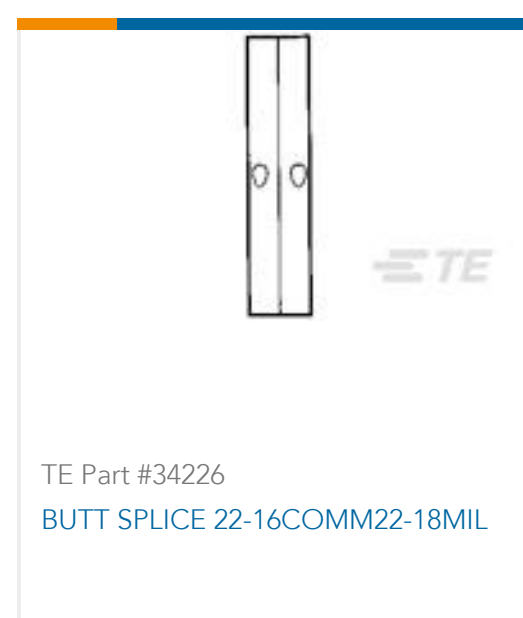
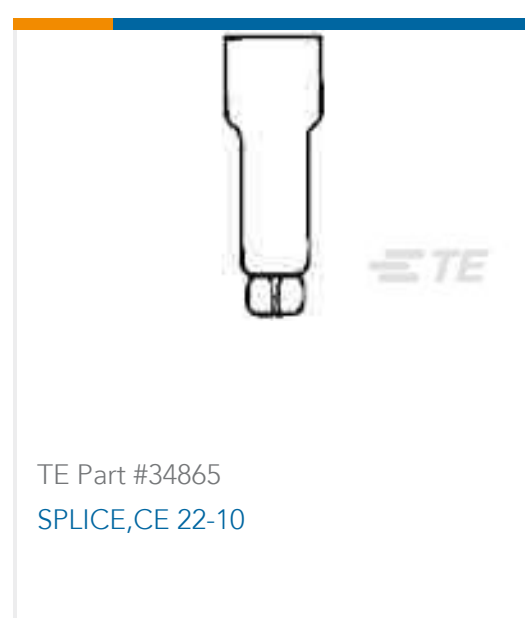
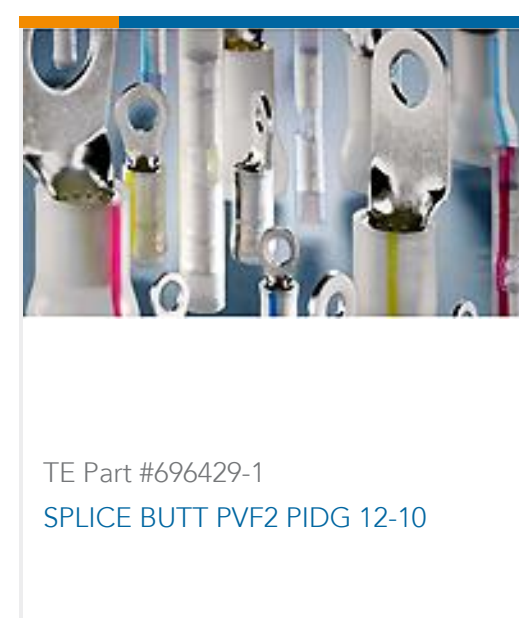
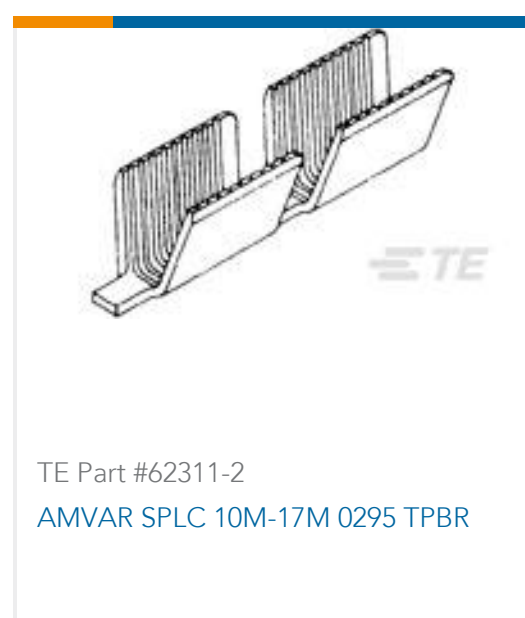
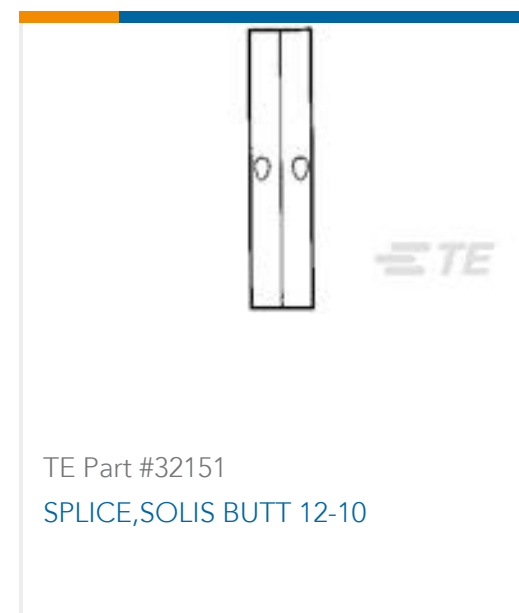
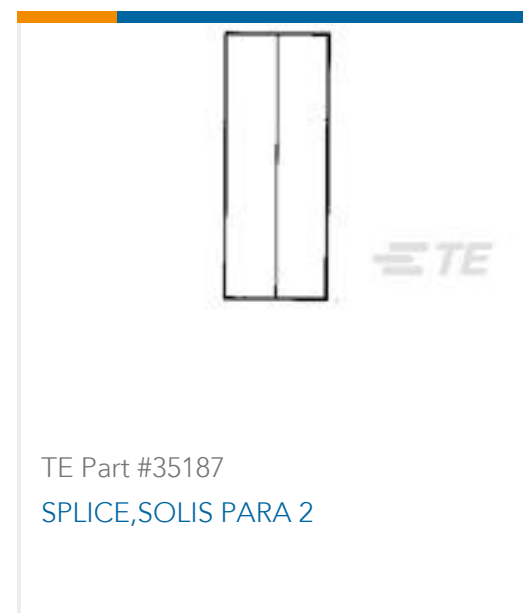
Product Compliance Disclaimer

This information is provided based on reasonable inquiry of our suppliers and represents our current actual knowledge based on the information they provided. This information is subject to change. The part numbers that TE has identified as EU RoHS compliant have a maximum concentration of 0.1% by weight in homogenous materials for lead, hexavalent chromium, mercury, PBB, PBDE, DBP, BBP, DEHP, DIBP, and 0.01% for cadmium, or qualify for an exemption to these limits as defined in the Annexes of Directive 2011/65/EU (RoHS2). Finished electrical and electronic equipment products will be CE marked as required by Directive 2011/65/EU. Components may not be CE marked. Additionally, the part numbers that TE has identified as EU ELV compliant have a maximum concentration of 0.1% by weight in homogenous materials for lead, hexavalent chromium, and mercury, and 0.01% for cadmium, or qualify for an exemption to these limits as defined in the Annexes of Directive 2000/53/EC (ELV). Regarding the REACH Regulation, the information TE provides on SVHC in articles for this part number is based on the latest European Chemicals Agency (ECHA) 'Guidance on requirements for substances in articles' posted at this URL: <https://echa.europa.eu/guidance-documents/guidance-on-reach>

Compatible Parts



Customers Also Bought



Documents

Product Drawings

[SPLICE,COPALUM PARA 8](#)

English

CAD Files

[Customer View Model](#)

[ENG_CVM_CVM_52745_E.2d_dxf.zip](#)

English



3D PDF

3D

Customer View Model

[ENG_CVM_CVM_52745_E.3d_igs.zip](#)

English

Customer View Model

[ENG_CVM_CVM_52745_E.3d_stp.zip](#)

English

By downloading the CAD file I accept and agree to the [Terms and Conditions](#) of use.

Datasheets & Catalog Pages

[COPALUM Lite Sealed Terminals and Splices](#)

English

Product Specifications

[Application Specification](#)

English

[COPALUM Terminals And Splices For Solid And Stranded Wire](#)

English

[Application Specification](#)

Japanese

[Copalum Terminals & Splices f/Solid & Stranded Wire](#)

Japanese

Product Environmental Compliance

[TE Material Declaration](#)

English

Agency Approvals

[UL Report](#)

English

[UL Report](#)

English