

5228980-6 ✓ ACTIVE

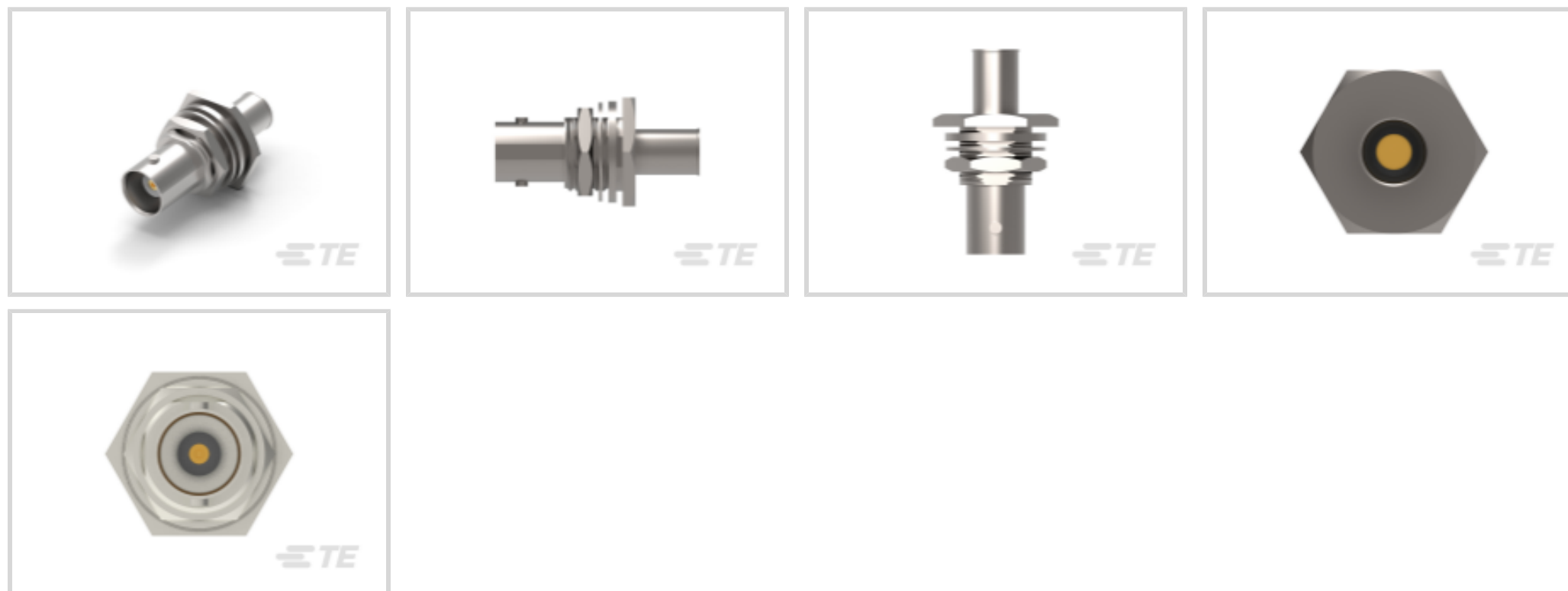
TE Internal #: 5228980-6

BNC RF Interface, Jack, 50  $\Omega$ , RG 62 / RG 62A / RG 59, Bayonet, 4 GHz Operating Frequency, Cable-to-Board, 1 Position, Sealable, Wire & Cable

[View on TE.com >](#)



Connectors > RF Connectors > Coax Connectors



RF Interface: **BNC**

RF Connector Style: **Jack**

RF Connector Mated Outer Diameter (Approximate): **14.53 mm [ .572 in ]**

Impedance: **50  $\Omega$**

Compatible With RF Cable Type: **RG 59, RG 59A, RG 59B, RG 62, RG 62A, RG 62B**

## Features

### Product Type Features

Connector Seal & Plug Type	Gasket
RF Interface	BNC
RF Connector Style	Jack
Compatible With RF Cable Type	RG 59, RG 59A, RG 59B, RG 62, RG 62A, RG 62B
Connector System	Cable-to-Board
Sealable	Yes
Connector & Contact Terminates To	Wire & Cable

### Configuration Features

Number of Positions	1
Number of Coaxial Contacts	1

### Electrical Characteristics

Impedance	50 $\Omega$
-----------	-------------

### Body Features

Cable Connector Orientation	Straight
-----------------------------	----------



Body Material	Zinc
---------------	------

Body Plating Material	Nickel
-----------------------	--------

### Contact Features

RF Connector Center Contact Underplating Material	Nickel
---	--------

	1080 $\mu$ m
--	--------------

Crimp Type	Dual
------------	------

RF Connector Center Contact Plating Material	Gold
--	------

RF Connector Center Contact Material	Beryllium Copper
--------------------------------------	------------------

### Termination Features

Termination Method to Wire & Cable	Crimp
------------------------------------	-------

### Mechanical Attachment

Panel Attachment Style	Rear Mount
------------------------	------------

RF Connector Coupling Mechanism	Bayonet
---------------------------------	---------

Connector Mounting Type	Panel Mount
-------------------------	-------------

RF Contact Captivation Method	Mechanical
-------------------------------	------------

Detent	With
--------	------

### Dimensions

RF Connector Mated Outer Diameter (Approximate)	14.53 mm[.572 in]
---	-------------------

### Usage Conditions

Insulation Option	Uninsulated
-------------------	-------------

Operating Temperature Range	-55 – 85 °C[-67 – 185 °F]
-----------------------------	---------------------------

### Operation/Application

Operating Frequency	4 GHz
---------------------	-------

### Packaging Features

Packaging Method	Carton
------------------	--------

### Other

Coupling Nut Base Material	Brass
----------------------------	-------

Grade	Commercial
-------	------------

Dielectric Material	Polypropylene
---------------------	---------------

### Product Compliance

For compliance documentation, visit the product page on [TE.com](https://www.te.com)>



EU RoHS Directive 2011/65/EU	Compliant with Exemptions
EU ELV Directive 2000/53/EC	Compliant with Exemptions
China RoHS 2 Directive MIIT Order No 32, 2016	Restricted Materials Above Threshold
EU REACH Regulation (EC) No. 1907/2006	Current ECHA Candidate List: JUNE 2023 (235) Candidate List Declared Against: JUNE 2023 (235) SVHC > Threshold: Pb (3.7% in Component Part) <b>Article Safe Usage Statements:</b> Do not eat, drink or smoke when using this product. Wash thoroughly after handling. Recycle if possible and dispose of the article by following all applicable governmental regulations relevant to your geographic location.
Halogen Content	Low Halogen - Br, Cl, F, I < 900 ppm per homogenous material. Also BFR/CFR/PVC Free
Solder Process Capability	Not applicable for solder process capability

Product Compliance Disclaimer

This information is provided based on reasonable inquiry of our suppliers and represents our current actual knowledge based on the information they provided. This information is subject to change. The part numbers that TE has identified as EU RoHS compliant have a maximum concentration of 0.1% by weight in homogenous materials for lead, hexavalent chromium, mercury, PBB, PBDE, DBP, BBP, DEHP, DIBP, and 0.01% for cadmium, or qualify for an exemption to these limits as defined in the Annexes of Directive 2011/65/EU (RoHS2). Finished electrical and electronic equipment products will be CE marked as required by Directive 2011/65/EU. Components may not be CE marked. Additionally, the part numbers that TE has identified as EU ELV compliant have a maximum concentration of 0.1% by weight in homogenous materials for lead, hexavalent chromium, and mercury, and 0.01% for cadmium, or qualify for an exemption to these limits as defined in the Annexes of Directive 2000/53/EC (ELV). Regarding the REACH Regulation, the information TE provides on SVHC in articles for this part number is based on the latest European Chemicals Agency (ECHA) 'Guidance on requirements for substances in articles' posted at this URL: <https://echa.europa.eu/guidance-documents/guidance-on-reach>

## Compatible Parts



TE Part # CAT-076-BNCJKISG50  
BNC RF Connector: Jack Assembly, Isolated Ground Protection, 50 Ohm



TE Part # CAT-076-BNCVTBAY  
BNC Vertical Jack RF Connector, 50 Ohm, Bayonet Coupling Mechanism



TE Part # CAT-076-BNCRABAY  
BNC RF Connector: Male (Jack), Right Angle



TE Part # 5227755-2  
BNC SOLDER RECEPT JACK SHORT



TE Part # 5227426-1  
BNC BLKHD RECPT SEALED



TE Part # 5413515-2  
JACK, DECOUPLER, RTANG, BNC PCB



TE Part # 6274315-1  
BNC JACK, NONSWITCHING



TE Part # 5413515-9  
JACK, DECOUPLER, RTANG, BNC PCB



TE Part # 5227169-4  
BNC - SOLDER RECEIPT



TE Part # 5330876  
BNC PLUG



TE Part # 414265-3  
PLUG, TWIST ON, COML BNC



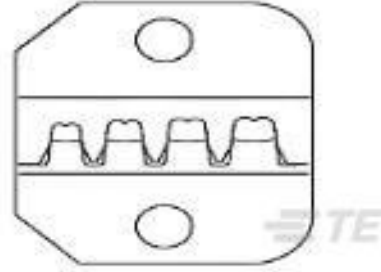
TE Part # 5414265-3  
PLUG, TWIST ON, COML BNC



TE Part # 5413959-3  
BNC HEX RT ANG PLUG 50 OHM



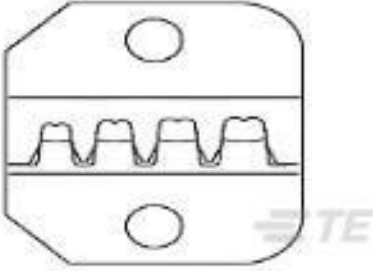
TE Part # 5221128-1  
PLUG, COMMERCIAL BNC



TE Part # 220189-2  
PREM SDE DIE, COMM BNC RG 59



TE Part # 58433-1  
PRO CR ASSY W/RG58/59 O IS9140



TE Part # 58435-1  
DIE RG58/59 O IS9140

### Customers Also Bought



TE Part #227699-2  
BNC PCB VERTICAL



TE Part #1-5747871-3  
09 PLUG SP/FMS SCRLK



TE Part #1658608-4  
09 POS HDF PLUG, MS, LEAD FREE



TE Part #5050864-6  
SOCKET, MIN-SPR SN SER-3



## Documents

### Product Drawings

JACK,BHD,COML,SERIES BNC,GOLD

English

### CAD Files

3D PDF

3D

Customer View Model

[ENG\\_CVM\\_CVM\\_5228980-6\\_A.2d\\_dxf.zip](#)

English

Customer View Model

[ENG\\_CVM\\_CVM\\_5228980-6\\_A.3d\\_igs.zip](#)

English

Customer View Model

[ENG\\_CVM\\_CVM\\_5228980-6\\_A.3d\\_stp.zip](#)

English

By downloading the CAD file I accept and agree to the [Terms and Conditions](#) of use.

### Datasheets & Catalog Pages

BNC Connectors

English

### Product Specifications

Product Specification

English

Commercial BNC Coaxial Bulkhead Jacks

English



5228980-6

BNC RF Interface, Jack, 50  $\Omega$ , RG 62 / RG 62A / RG 59, Bayonet, 4 GHz Operating Frequency, Cable-to-Board, 1 Position, Sealable, Wire & Cable

