



Connectors > Power Connectors > Rectangular Power > Rectangular Power Connectors



Rectangular Power Connector Type: **Connector Assembly**

Connector & Housing Type: **Receptacle**

Connector System: **Board-to-Board**

Number of Positions: **3**

Centerline (Pitch): **3 mm [.118 in]**

Features

Product Type Features

Rectangular Power Connector Type	Connector Assembly
Connector & Housing Type	Receptacle
Connector System	Board-to-Board
Sealable	No
Connector & Contact Terminates To	Printed Circuit Board

Configuration Features

Number of Positions	3
PCB Mount Orientation	Vertical
Number of Power Positions	3
Number of Signal Positions	1
Number of Rows	0

Electrical Characteristics

Operating Voltage	48 VDC
-------------------	--------

Contact Features

Contact Mating Area Plating Material	Gold, Gold Flash over Palladium Nickel
Contact Underplating Material	Nickel
Contact Base Material	Phosphor Bronze
Contact Current Rating (Max)	10 A
Contact Retention Within Housing	With



Contact Type	Receptacle
PCB Contact Termination Area Plating Material	Tin
Contact Mating Area Plating Material Thickness	.76 µm[30 µin]

Termination Features

Termination Method to Printed Circuit Board	Through Hole - Press-Fit
---	--------------------------

Mechanical Attachment

Connector Mounting Type	Board Mount
-------------------------	-------------

Housing Features

Centerline (Pitch)	3 mm[.118 in]
Housing Color	Gray
Housing Material	Thermoplastic

Usage Conditions

Operating Temperature Range	-55 – 125 °C[-67 – 257 °F]
-----------------------------	----------------------------

Operation/Application

Circuit Application	Power
---------------------	-------

Industry Standards

UL Flammability Rating	UL 94V-0
Glow Wire Rating	Standard Part - Not Glow Wire

Packaging Features

Packaging Method	Box & Tube, Tube
------------------	------------------

Product Compliance

[For compliance documentation, visit the product page on TE.com>](#)

EU RoHS Directive 2011/65/EU	Compliant
EU ELV Directive 2000/53/EC	Compliant
China RoHS 2 Directive MIIT Order No 32, 2016	No Restricted Materials Above Threshold
EU REACH Regulation (EC) No. 1907/2006	Current ECHA Candidate List: JUNE 2023 (235) Candidate List Declared Against: JUNE 2023 (235) Does not contain REACH SVHC
Halogen Content	Not Low Halogen - contains Br or Cl > 900 ppm.



Solder Process Capability

Not applicable for solder process capability

Product Compliance Disclaimer

This information is provided based on reasonable inquiry of our suppliers and represents our current actual knowledge based on the information they provided. This information is subject to change. The part numbers that TE has identified as EU RoHS compliant have a maximum concentration of 0.1% by weight in homogenous materials for lead, hexavalent chromium, mercury, PBB, PBDE, DBP, BBP, DEHP, DIBP, and 0.01% for cadmium, or qualify for an exemption to these limits as defined in the Annexes of Directive 2011/65/EU (RoHS2). Finished electrical and electronic equipment products will be CE marked as required by Directive 2011/65/EU. Components may not be CE marked. Additionally, the part numbers that TE has identified as EU ELV compliant have a maximum concentration of 0.1% by weight in homogenous materials for lead, hexavalent chromium, and mercury, and 0.01% for cadmium, or qualify for an exemption to these limits as defined in the Annexes of Directive 2000/53/EC (ELV). Regarding the REACH Regulation, the information TE provides on SVHC in articles for this part number is based on the latest European Chemicals Agency (ECHA) 'Guidance on requirements for substances in articles' posted at this URL: <https://echa.europa.eu/guidance-documents/guidance-on-reach>

Compatible Parts



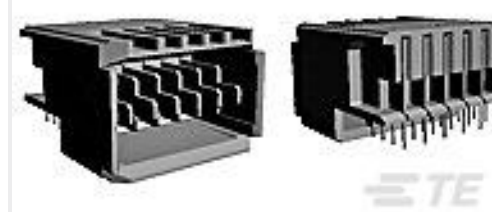
TE Part # 5223962-1
UNV PWR MDL ASY HDR SEQ



TE Part # 5223961-1
TE UPM R/A Header 3P STD Power, LLL



TE Part # 5223968-1
TE UPM R/A Header 3P STD Power, LMM



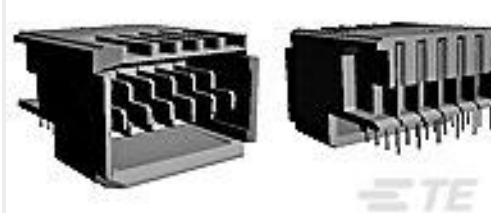
TE Part # 5120912-1
UPM MALE ASSEMBLY, SEQUENCED



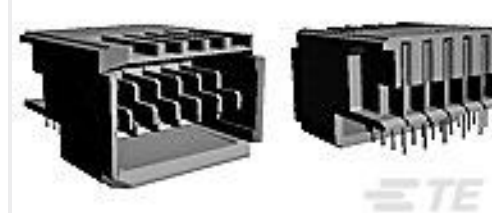
TE Part # 5223963-1
TE UPM R/A Header 3P STD Power, MLM



TE Part # 5120938-1
UPM R/A Header STD 3P Conn, Sequence SLL



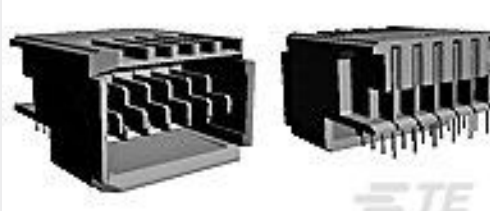
TE Part # 5223976-1
UNIV. POWER MODULE R/A HEADER



TE Part # 5223971-1
UNIV. POWER MOD. RT.ANG HEADER



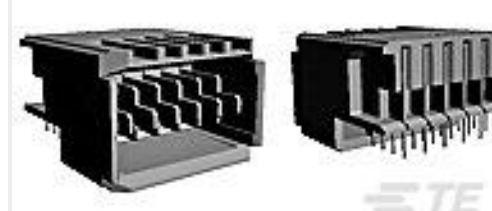
TE Part # 5223965-1
UNV PWR MDL ASY HDR SEQ



TE Part # 5223977-1
UNIV. POWER MODULE R/A HEADER



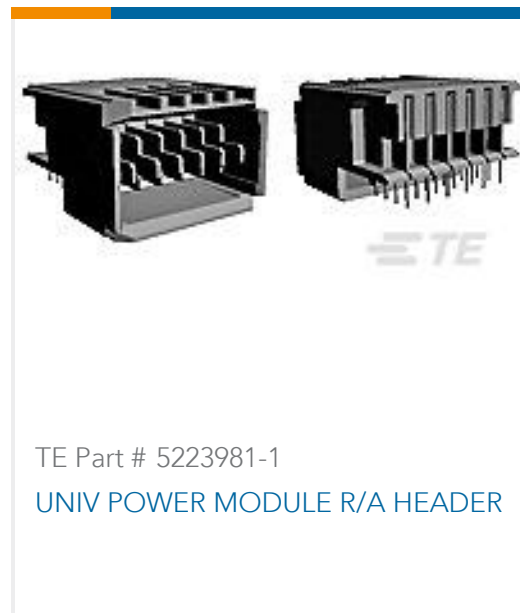
TE Part # 5223961-8
UNV,PWR,MDL,HDR,R-PEGS



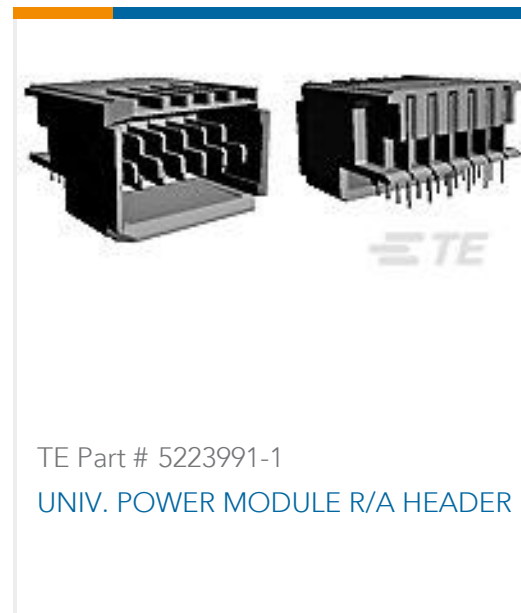
TE Part # 5223964-6
UNV,PWR,MDL,HDR,SEQ



TE Part # 5223972-1
UNIV. POWER MODULE R/A HEADER



TE Part # 5223981-1
UNIV POWER MODULE R/A HEADER



TE Part # 5223991-1
UNIV. POWER MODULE R/A HEADER



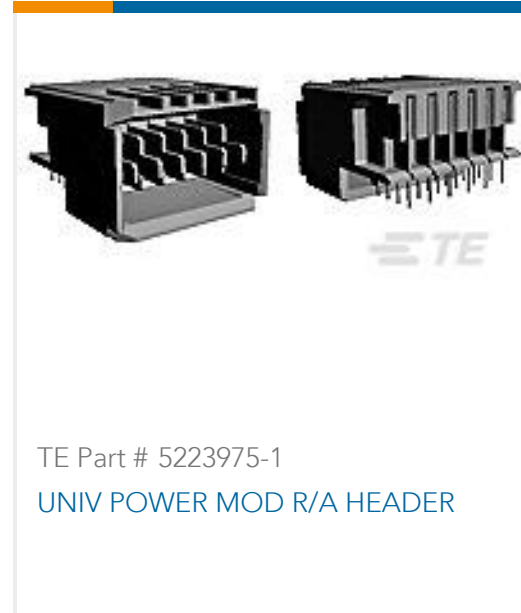
TE Part # 5223964-1
UNV,PWR,MDL,HDR,SEQ



TE Part # 5223974-1
UNV,PWR,MDL,ASY,HDR,LEV 2



TE Part # 5-1645618-1
UPM R/A Header 3P HC Power Conn. LLL

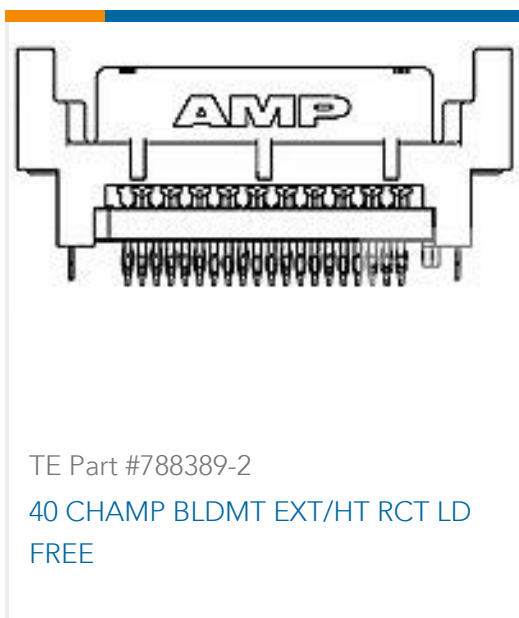


TE Part # 5223975-1
UNIV POWER MOD R/A HEADER



TE Part # 5223987-1
UNV,PWR,MDL,RA,HDR

Customers Also Bought



TE Part #788389-2
40 CHAMP BLDMT EXT/HT RCT LD FREE



TE Part #2057631-1
CFP Receptacle Cover Assy



TE Part #6469076-1
HM-ZD 2PR HDR ASSY 1.8MM



TE Part #6469074-1
HM-ZD 4PR HDR ASSY 1.8MM



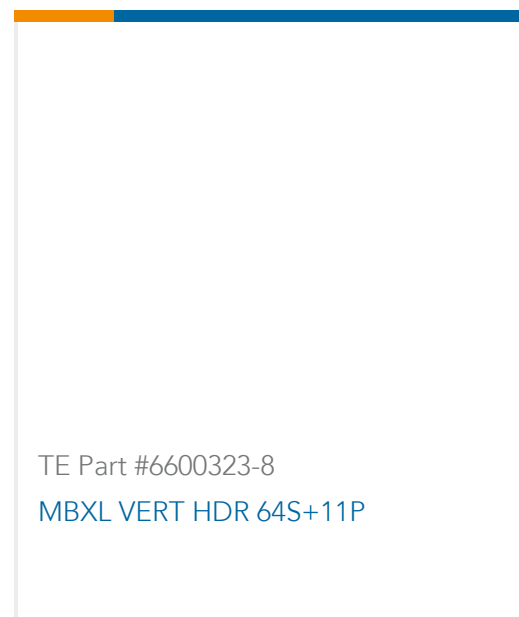
TE Part #5330876
BNC PLUG



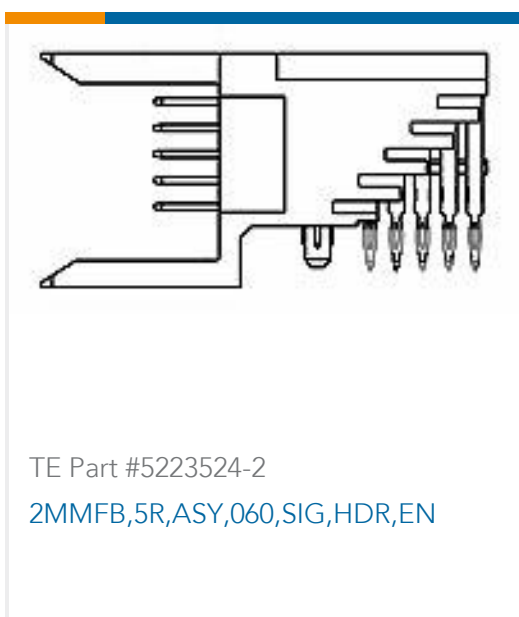
TE Part #2007824-3
IMP100S,H,V4P16C,LG,OEW46,5.5



TE Part #2201945-1
RECEPTACLE ASSEMBLY, 5 PAIR, 8 COLUMN



TE Part #6600323-8
MBXL VERT HDR 64S+11P



TE Part #5223524-2
2MMFB,5R,ASY,060,SIG,HDR,EN

Documents



CAD Files

3D PDF

3D

Customer View Model

[ENG_CVM_CVM_5223955-2_A2.2d_dxf.zip](#)

English

Customer View Model

[ENG_CVM_CVM_5223955-2_A2.3d_igs.zip](#)

English

Customer View Model

[ENG_CVM_CVM_5223955-2_A2.3d_stp.zip](#)

English

By downloading the CAD file I accept and agree to the [Terms and Conditions](#) of use.

Datasheets & Catalog Pages

[High Speed Backplane Connectors catalog - Z-PACK HS3 Connector](#)

English

[POWER_CONNECTORS_CATALOG_SEC01_BOARD_TO_BOARD](#)

English

[2_PIECE_POWER_CONNECTORS_qrg_4-1773458-1](#)

English

Product Specifications

[Application Specification](#)

English

Product Environmental Compliance

[MD_5223955-2_10132017416_dmtec](#)

English

[MD_5223955-2_10132017416_dmtec](#)

English

Agency Approvals

[UL Report](#)

English