

52197 ✓ ACTIVE

SOLISTRAND

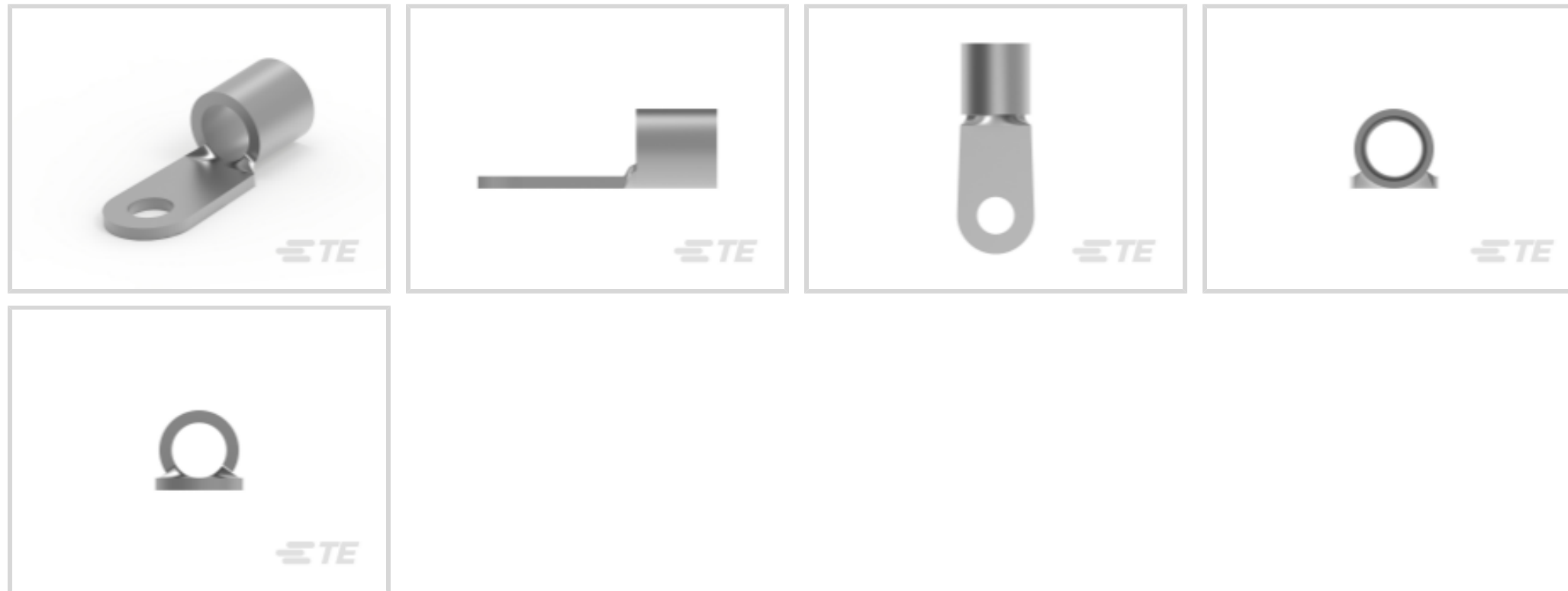
TE Internal #: 52197

Closed Ring Tongue Terminal, 6 AWG, #10 Stud Size, 5 mm [.197 in] Stud Diameter, Closed Barrel, Straight, Tin, Uninsulated

[View on TE.com >](#)



Terminals & Splices > Ring Terminals



Ring Terminal Product Type: Closed Ring Tongue Terminal

Wire Size: 20800 – 33100 CMA

Stud Size: #10

Features

Product Type Features

| | |
|--|-----------------------------|
| Ring Terminal Product Type | Closed Ring Tongue Terminal |
| Stud Size | #10 |
| Sealable | No |
| Wire Insulation Support Retention Type | Non-Insulation Support |

Configuration Features

| | |
|-----------------|---|
| Number of Holes | 1 |
|-----------------|---|

Contact Features

| | |
|---------------------------|----------|
| Barrel Type | Closed |
| Terminal Orientation | Straight |
| Terminal Plating Material | Tin |

Mechanical Attachment

| | |
|-------------------------|---------|
| Wire Insulation Support | Without |
|-------------------------|---------|

Dimensions

| | |
|------------------|-------------------|
| Wire Size | 20800 – 33100 CMA |
| Stud Diameter | 5 mm [.197 in] |
| Tongue Thickness | 1.45 mm [.057 in] |



| | |
|------------------------|------------------|
| Product Length | 30 mm[1.181 in] |
| Barrel Inside Diameter | 5.89 mm[.232 in] |

Usage Conditions

| | |
|-----------------------------|----------------|
| Insulation Option | Uninsulated |
| Operating Temperature Range | 170 °C[338 °F] |

Operation/Application

| | |
|---------------------------------------|--------|
| Compatible With Wire Base Material | Copper |
| Compatible With Wire Plating Material | Tin |

Industry Standards

| | |
|-------------------------------|----|
| Government Qualified Terminal | No |
|-------------------------------|----|

Packaging Features

| | |
|--------------------|-------------|
| Packaging Quantity | 100 |
| Packaging Method | Loose Piece |

Product Compliance

[For compliance documentation, visit the product page on TE.com>](#)

| | |
|---|---|
| EU RoHS Directive 2011/65/EU | Compliant |
| EU ELV Directive 2000/53/EC | Compliant |
| China RoHS 2 Directive MIIT Order No 32, 2016 | No Restricted Materials Above Threshold |
| EU REACH Regulation (EC) No. 1907/2006 | Current ECHA Candidate List: JUNE 2023 (235) Candidate List Declared Against: JUNE 2023 (235) Does not contain REACH SVHC |
| Halogen Content | Low Halogen - Br, Cl, F, I < 900 ppm per homogenous material. Also BFR/CFR/PVC Free |
| Solder Process Capability | Not applicable for solder process capability |

Product Compliance Disclaimer

This information is provided based on reasonable inquiry of our suppliers and represents our current actual knowledge based on the information they provided. This information is subject to change. The part numbers that TE has identified as EU RoHS compliant have a maximum concentration of 0.1% by weight in homogenous materials for lead, hexavalent chromium, mercury, PBB, PBDE, DBP, BBP, DEHP, DIBP, and 0.01% for cadmium, or qualify for an exemption to these limits as defined in the Annexes of Directive 2011/65/EU (RoHS2). Finished electrical and electronic equipment products will be CE marked as required by Directive 2011/65/EU. Components may not be CE marked. Additionally, the part numbers that TE has identified as EU ELV compliant have a maximum concentration of 0.1% by weight in homogenous materials for lead, hexavalent chromium, and mercury, and 0.01% for cadmium, or qualify for an exemption to these limits as defined in the Annexes of Directive 2000/53/EC (ELV). Regarding the REACH Regulation, the information TE provides

on SVHC in articles for this part number is based on the latest European Chemicals Agency (ECHA) 'Guidance on requirements for substances in articles' posted at this URL: <https://echa.europa.eu/guidance-documents/guidance-on-reach>

Compatible Parts



TE Part # 1490414-2
HYP10 SOLIS HD 6-4AWG INDENTER



TE Part # 52197-1
TERM, RING, SOLIS, 6, #10, T&R



TE Part # 601075
BANTAM ROTA-CRIMP TOOL



TE Part # 8-52197-2
TERMINAL, SOLIS R 6 10



TE Part # 69217
HYP8/10 SOLIS 6AWG DIE SET



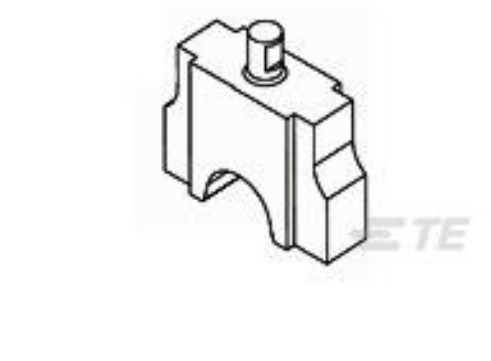
TE Part # 48127
HYP8 SOLIS 6-2AWG INDENTER



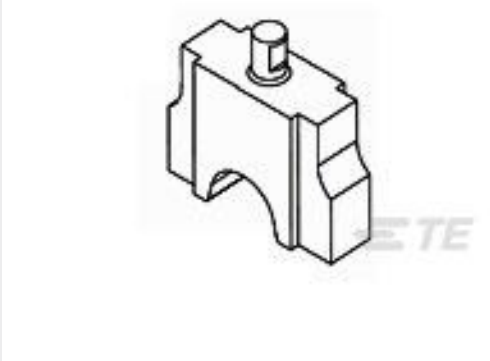
TE Part # 1490413-2
HYP10 SOLIS HD 8AWG NEST



TE Part # 600850
ROTO-CRIMP TOOL (ASI)



TE Part # 1901000-1
NEST #6



TE Part # 1901002-1
INDENTER, SOLISTRAND



TE Part # 48128
HYP8 SOLIS 6AWG NEST



TE Part # 68136
PNEU HT SOLIS 6 ASSY

Customers Also Bought



TE Part #6650384-3
286-0052-12301A=TA CONN,SKT



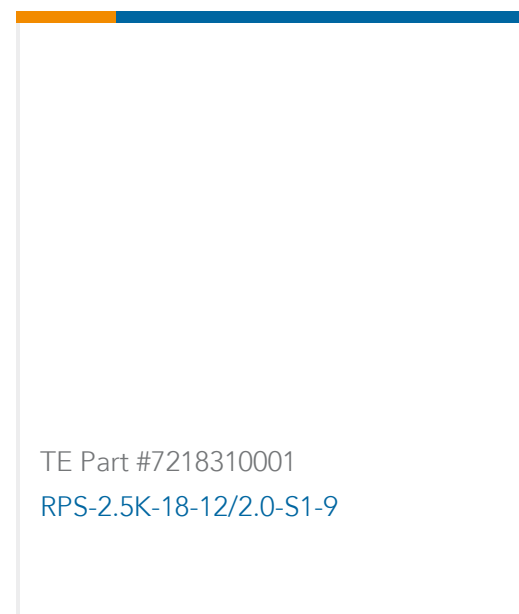
TE Part #35184
TERMINAL, SOLIS R 2 3/8



TE Part #33469
TERMINAL, SOLIS R 4 1/4



TE Part #322455
TERMINAL, SOLIS R 12-10 10



Documents

Product Drawings

TERMINAL,SOLIS R 6 10

English

CAD Files

3D PDF

3D

Customer View Model

[ENG_CVM_CVM_52197_E.2d_dxf.zip](#)

English

Customer View Model

[ENG_CVM_CVM_52197_E.3d_igs.zip](#)

English

Customer View Model

[ENG_CVM_CVM_52197_E.3d_stp.zip](#)

English

By downloading the CAD file I accept and agree to the [Terms and Conditions](#) of use.

Datasheets & Catalog Pages

SOLISTRAND - QRG

English

Product Environmental Compliance

MD_52197_092720121314

English

MD_52197_092720121314

English

Agency Approvals

UL Report

English