

521838-2 ✓ ACTIVE

Ultra-Pod | Ultra-Pod 187

TE Internal #: 521838-2

Quick Disconnects, Receptacle, 20 – 16 AWG Wire Size, .51 – 1.31 mm² Wire Size, Mating Tab Width 4.75 mm [.187 in], Straight, Brass, Ultra-Pod 187

[View on TE.com >](#)



Terminals & Splices > Quick Disconnects > ULTRA POD: Straight, Receptacle Assembly, Tin Plated, .187 inch



Quick Disconnect Terminal Type: **Receptacle**

Wire Size: .51 – 1.31 mm²

Mating Tab Width: 4.75 mm [.187 in]

Mating Tab Thickness: .51 mm [.02 in]

[All ULTRA POD: Straight, Receptacle Assembly, Tin Plated, .187 inch \(9\)](#)

Features

Product Type Features

Insertion Force	Low
-----------------	-----

Configuration Features

Connection Capacity	Single
Compatible With Wire & Cable Type	Discrete Wire

Electrical Characteristics

Voltage Rating	600 V
----------------	-------

Body Features

Insulation Material	Nylon
---------------------	-------

Contact Features

Quick Disconnect Terminal Type	Receptacle
Mating Tab Width	4.75 mm [.187 in]
Mating Tab Thickness	.51 mm [.02 in]
Terminal Orientation	Straight



Contact Base Material	Brass
Terminal Plating Material	Tin
Crimp Type	F-Crimp
Barrel Type	Open

Termination Features

Product Terminates To	Wire & Cable
-----------------------	--------------

Mechanical Attachment

Wire Insulation Support	With
-------------------------	------

Dimensions

Terminal Material Thickness	.33 mm[.013 in]
Product Length	27.61 mm[1.085 in]
Compatible Insulation Diameter Range	2.29 – 3.3 mm[.09 – .13 in]
Wire Size	.51 – 1.31 mm ²

Usage Conditions

Insulation Option	Fully Insulated
Operating Temperature Range	-40 – 150 °C[-40 – 302 °F]

Industry Standards

Agency/Standard	CSA, UL
Approved Standards	UL E66717
UL Flammability Rating	UL 94V-2

Packaging Features

Packaging Quantity	2500
Packaging Method	Strip/Reel

Other

Barrel Color	Natural
--------------	---------

Product Compliance

[For compliance documentation, visit the product page on TE.com>](#)

EU RoHS Directive 2011/65/EU	Compliant
EU ELV Directive 2000/53/EC	Compliant
China RoHS 2 Directive MIIT Order No 32, 2016	No Restricted Materials Above Threshold
EU REACH Regulation (EC) No. 1907/2006	



Current ECHA Candidate List: JUNE 2023 (235)
 Candidate List Declared Against: JUNE 2023 (235)
 Does not contain REACH SVHC

Halogen Content
 Low Halogen - Br, Cl, F, I < 900 ppm per homogenous material. Also BFR/CFR/PVC Free

Solder Process Capability
 Not applicable for solder process capability

Product Compliance Disclaimer

This information is provided based on reasonable inquiry of our suppliers and represents our current actual knowledge based on the information they provided. This information is subject to change. The part numbers that TE has identified as EU RoHS compliant have a maximum concentration of 0.1% by weight in homogenous materials for lead, hexavalent chromium, mercury, PBB, PBDE, DBP, BBP, DEHP, DIBP, and 0.01% for cadmium, or qualify for an exemption to these limits as defined in the Annexes of Directive 2011/65/EU (RoHS2). Finished electrical and electronic equipment products will be CE marked as required by Directive 2011/65/EU. Components may not be CE marked. Additionally, the part numbers that TE has identified as EU ELV compliant have a maximum concentration of 0.1% by weight in homogenous materials for lead, hexavalent chromium, and mercury, and 0.01% for cadmium, or qualify for an exemption to these limits as defined in the Annexes of Directive 2000/53/EC (ELV). Regarding the REACH Regulation, the information TE provides on SVHC in articles for this part number is based on the latest European Chemicals Agency (ECHA) 'Guidance on requirements for substances in articles' posted at this URL: <https://echa.europa.eu/guidance-documents/guidance-on-reach>

Compatible Parts



TE Part # 1855118-1
 U POD .187 STRAIGHT SAPR090F140F LM & G



TE Part # 1855118-3
 U POD .187 STRAIGHT SAPR090F140F LM



TE Part # 853358-2
 MACH,U-POD.187 9SAPR090F140F K



TE Part # 853358-3
 MACH U-POD 187 9SAPR090F140F G

TE Part # 680887-1
 .187 UP W/SENS 9SAPR090F140F T

TE Part # 853358-1
 MACH,U-POD.187 9SAPR090F140F T

Also in the Series | Ultra-Pod 187



Quick Disconnects(22)

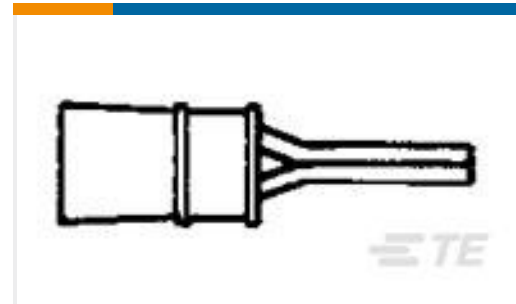
Customers Also Bought



TE Part #520963-2
ULTRA-POD 250 ASSY REC 18-14
AWG TPBR



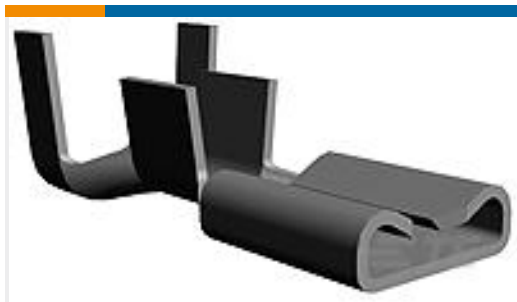
TE Part #HD36-24-23ST-059
DEUTSCH HD30 Housings



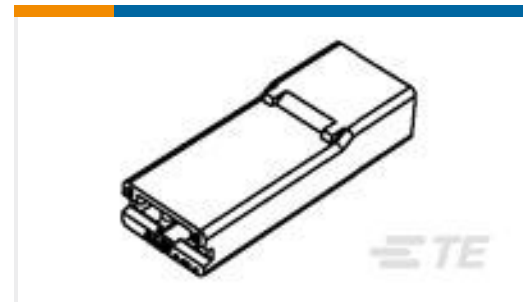
TE Part #342166-1
16-14 F.E.P.G. WIRE PIN



TE Part #165143
PG WIRE PIN 22-16



TE Part #60196-2
187 FASTON REC 20-16 AWG TPBR



TE Part #7-1377174-6
SMP 0-0735075-0



TE Part #42933-2
RING TERMINAL 20-16 AWG TPBR



TE Part #60641-1
250 FASTON FLAG REC 18-12 AWG
BR

Documents

Product Drawings

[ULTRA-POD 187 ASSY REC 20-16 AWG PTPB](#)

English

CAD Files

Customer View Model

[ENG_CVM_CVM_521838-2_A.2d_dxf.zip](#)

English

[3D PDF](#)

3D

Customer View Model

[ENG_CVM_CVM_521838-2_A.3d_igs.zip](#)

English

Customer View Model

[ENG_CVM_CVM_521838-2_A.3d_stp.zip](#)

English

By downloading the CAD file I accept and agree to the [Terms and Conditions](#) of use.



[Product Specifications](#)

[Application Specification](#)

English