

5213816-1 ✓ ACTIVE

## AMP POWER TAP

TE Internal #: 5213816-1

Power Terminals, Power Tap, Terminates To Printed Circuit Board,  
6 Position, 2.54 mm [.1 in] Centerline, Vertical, Stamped & Formed,  
Tin, Tin

[View on TE.com >](#)



Terminals & Splices > Power Terminals



Power Terminal Type: **Power Tap**

Product Terminates To: **Printed Circuit Board**

Number of Positions: **6**

Contact Current Rating (Max): **20 A**

Centerline (Pitch): **2.54 mm [.1 in]**

### Features

#### Product Type Features

|                     |           |
|---------------------|-----------|
| Power Terminal Type | Power Tap |
|---------------------|-----------|

#### Configuration Features

|                       |          |
|-----------------------|----------|
| Number of Positions   | 6        |
| PCB Mount Orientation | Vertical |

#### Body Features

|                  |          |
|------------------|----------|
| Terminal Profile | Standard |
|------------------|----------|

#### Contact Features

|  |                  |
|--|------------------|
| PCB Contact Termination Area Plating Material Finish | Matte            |
| Contact Mating Area Plating Material Finish          | Matte            |
| Contact Underplating Material                        | Nickel           |
| Contact Current Rating (Max)                         | 20 A             |
| Contact Fabrication                                  | Stamped & Formed |
| Contact Mating Area Plating Material                 | Tin              |
| Contact Mating Area Plating Material Thickness       | 2.54 µm[100 µin] |



|   |  |
|---|--|
| PCB Contact Termination Area Plating Material           | Tin                                      |
| PCB Contact Termination Area Plating Material Thickness | 2.54 $\mu\text{m}$ [100 $\mu\text{in}$ ] |
| Contact Base Material                                   | Phosphor Bronze                          |

### Termination Features

|   |                          |
|---|--------------------------|
| Termination Method to Printed Circuit Board | Through Hole - Press-Fit |
| Termination Method to Wire & Cable          | Tap Screw                |
| Product Terminates To                       | Printed Circuit Board    |

### Mechanical Attachment

|             |    |
|-------------|----|
| Thread Size | M4 |
|-------------|----|

### Housing Features

|                    |                |
|--------------------|----------------|
| Centerline (Pitch) | 2.54 mm[.1 in] |
|--------------------|----------------|

### Dimensions

|                             |                                |
|-----------------------------|--------------------------------|
| PCB Thickness (Recommended) | 1.57 – 3.18 mm[.062 – .125 in] |
| Product Length              | 10.96 mm[.431 in]              |

### Usage Conditions

|                             |   |
|-----------------------------|---|
| Insulation Option           | Uninsulated   |
| Operating Temperature Range | -55 – 85 $^{\circ}\text{C}$ [-67 – 185 $^{\circ}\text{F}$ ] |

### Packaging Features

|                  |        |
|------------------|--------|
| Packaging Method | Carton |
|------------------|--------|

## Product Compliance

[For compliance documentation, visit the product page on TE.com>](#)

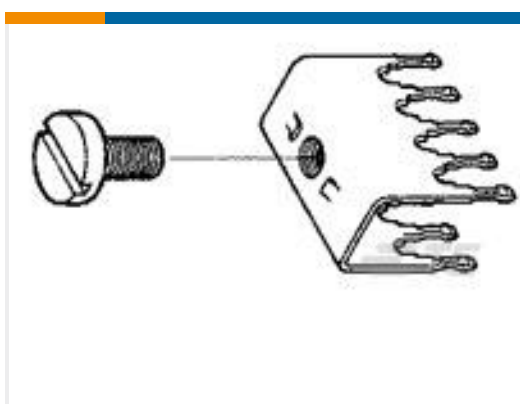
|   |  |
|---|--|
| EU RoHS Directive 2011/65/EU                  | Compliant  |
| EU ELV Directive 2000/53/EC                   | Compliant  |
| China RoHS 2 Directive MIIT Order No 32, 2016 | No Restricted Materials Above Threshold  |
| EU REACH Regulation (EC) No. 1907/2006        | Current ECHA Candidate List: JUNE 2023 (235)<br>Candidate List Declared Against: JUL 2021 (219)<br>Does not contain REACH SVHC |
| Halogen Content                               | Low Halogen - Br, Cl, F, I < 900 ppm per homogenous material. Also BFR/CFR/PVC Free  |
| Solder Process Capability                     | Not applicable for solder process capability   |



Product Compliance Disclaimer

This information is provided based on reasonable inquiry of our suppliers and represents our current actual knowledge based on the information they provided. This information is subject to change. The part numbers that TE has identified as EU RoHS compliant have a maximum concentration of 0.1% by weight in homogenous materials for lead, hexavalent chromium, mercury, PBB, PBDE, DBP, BBP, DEHP, DIBP, and 0.01% for cadmium, or qualify for an exemption to these limits as defined in the Annexes of Directive 2011/65/EU (RoHS2). Finished electrical and electronic equipment products will be CE marked as required by Directive 2011/65/EU. Components may not be CE marked. Additionally, the part numbers that TE has identified as EU ELV compliant have a maximum concentration of 0.1% by weight in homogenous materials for lead, hexavalent chromium, and mercury, and 0.01% for cadmium, or qualify for an exemption to these limits as defined in the Annexes of Directive 2000/53/EC (ELV). Regarding the REACH Regulation, the information TE provides on SVHC in articles for this part number is based on the latest European Chemicals Agency (ECHA) 'Guidance on requirements for substances in articles' posted at this URL: <https://echa.europa.eu/guidance-documents/guidance-on-reach>

### Compatible Parts



TE Part # 1-505558-1  
10 PWR TAP CONT PLTD MTR .100



TE Part # 5213815-1  
Power Tap HC 4P Conn w M4 Screw

### Customers Also Bought



TE Part #1-2176057-8  
RLP73N 3A R051 1% 1K RL



TE Part #5796055-1  
68 CHAMP R/A ASSY,LC



TE Part #3-1879216-5  
CPF0402 200K 0.1% 25PPM 1K RL



TE Part #3-794627-6  
06P MICRO MNL ASSY,RA ,SMT, LF



TE Part #3-794632-4  
04P MICRO MNL ASSY,VRT,HDR,LF



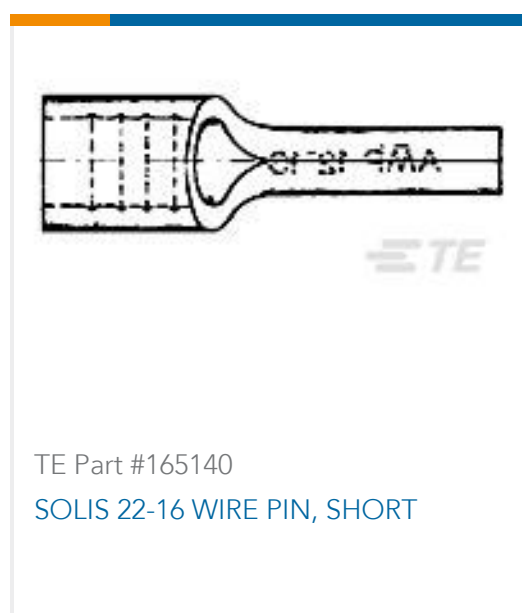
TE Part #327905-1  
BUDG,12-10,1/4 HOOK (TAPE)



TE Part #1337808-3  
50 OHM COAX SMA STR PLUG STR P



TE Part #1337808-2  
50 OHM COAX SMA STR PLUG STR P



## Documents

### Product Drawings

#### 6P POWER TAP ASSY W/M4 SCREW

English

### CAD Files

#### Customer View Model

[ENG\\_CVM\\_CVM\\_5213816-1\\_B.2d\\_dxf.zip](#)

English

#### 3D PDF

3D

#### Customer View Model

[ENG\\_CVM\\_CVM\\_5213816-1\\_B.3d\\_igs.zip](#)

English

#### Customer View Model

[ENG\\_CVM\\_CVM\\_5213816-1\\_B.3d\\_stp.zip](#)

English

By downloading the CAD file I accept and agree to the [Terms and Conditions](#) of use.

### Datasheets & Catalog Pages

#### POWER\_CONNECTORS\_CATALOG\_SEC02\_CABLE\_MOUNTED

English

### Product Specifications

#### Application Specification

English

### Product Environmental Compliance

#### TE Material Declaration

English