



Terminals & Splices > Terminal Housings, Insulation Sleeves & Blocks > Crimp Terminal Housings



Terminal Type: **Receptacle**

Connector & Housing Type: **Receptacle**

Number of Positions: **3**

Terminal Orientation: **Straight**

UL Flammability Rating: **UL 94V-2**

Features

Product Type Features

Sealable	No
Connector & Housing Type	Receptacle

Configuration Features

Number of Positions	3
---------------------	---

Body Features

Connector & Keying Code	B
Primary Product Color	Natural

Contact Features

Terminal Type	Receptacle
Terminal Orientation	Straight
Contact Mating Retention	With

Mechanical Attachment

Mating Alignment	With
Connector Mounting Type	Cable Mount (Free-Hanging)

Housing Features

Housing Material	Nylon
Centerline (Pitch)	5.08 mm, 5.97 mm [.2 in][.235 in]

Dimensions

Product Length	24.64 mm [.97 in]
Wire Size	.823 mm ²

Usage Conditions

Operating Temperature Range	-40 – 105 °C [-40 – 221 °F]
-----------------------------	-----------------------------

Industry Standards

UL Flammability Rating	UL 94V-2
------------------------	----------

Packaging Features

Packaging Quantity	1
Packaging Method	Carton

Product Compliance

[For compliance documentation, visit the product page on TE.com>](#)

EU RoHS Directive 2011/65/EU	Compliant
EU ELV Directive 2000/53/EC	Compliant
China RoHS 2 Directive MIIT Order No 32, 2016	No Restricted Materials Above Threshold
EU REACH Regulation (EC) No. 1907/2006	Current ECHA Candidate List: JUNE 2023 (235) Candidate List Declared Against: JAN 2023 (233) Does not contain REACH SVHC
Halogen Content	Low Halogen - Br, Cl, F, I < 900 ppm per homogenous material. Also BFR/CFR/PVC Free
Solder Process Capability	Not applicable for solder process capability

Product Compliance Disclaimer

This information is provided based on reasonable inquiry of our suppliers and represents our current actual knowledge based on the information they provided. This information is subject to change. The part numbers that TE has identified as EU RoHS compliant have a maximum concentration of 0.1% by weight in homogenous materials for lead, hexavalent chromium, mercury, PBB, PBDE, DBP, BBP, DEHP, DIBP, and 0.01% for cadmium, or qualify for an exemption to these limits as defined in the Annexes of Directive 2011/65/EU (RoHS2). Finished electrical and electronic equipment products will be CE marked as required by Directive 2011/65/EU. Components may not be CE marked. Additionally, the part numbers that TE has identified as EU ELV compliant have a maximum concentration of 0.1% by weight in homogenous materials for lead, hexavalent chromium, and mercury, and 0.01% for cadmium, or qualify for an exemption to these limits as defined in the Annexes of Directive 2000/53/EC (ELV). Regarding the REACH Regulation, the information TE provides

on SVHC in articles for this part number is based on the latest European Chemicals Agency (ECHA) 'Guidance on requirements for substances in articles' posted at this URL: <https://echa.europa.eu/guidance-documents/guidance-on-reach>

Also in the Series | FASTON 110



Crimp Terminal Housings(13)



Insertion & Extraction Tools(1)

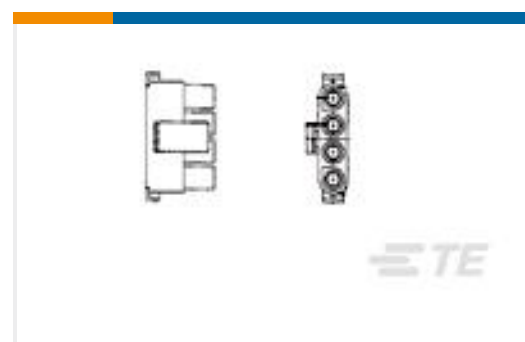


PCB Terminals(21)



Quick Disconnects(171)

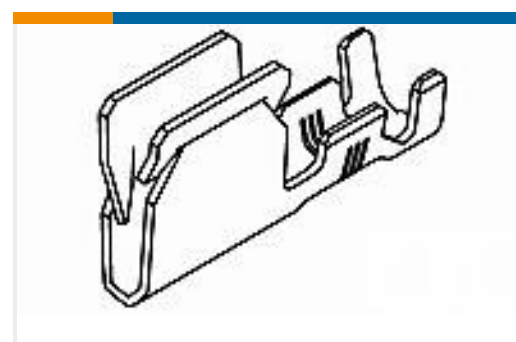
Customers Also Bought



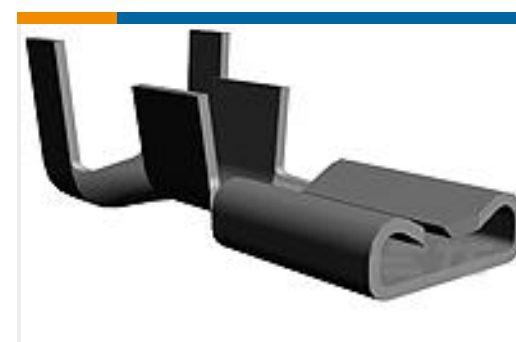
TE Part #794116-1
04P .156 MNL PLUG



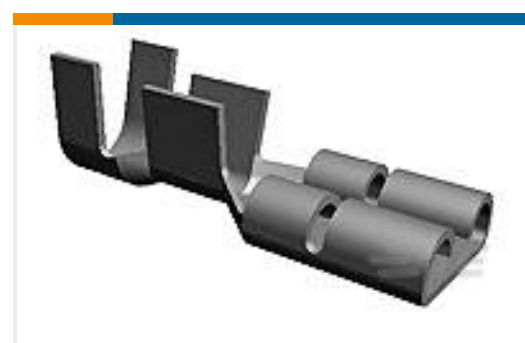
TE Part #1217345-1
110 FASTON,REC.,16-18 AWG,BR



TE Part #63895-1
GROUND CLIP 14-18AWG ST



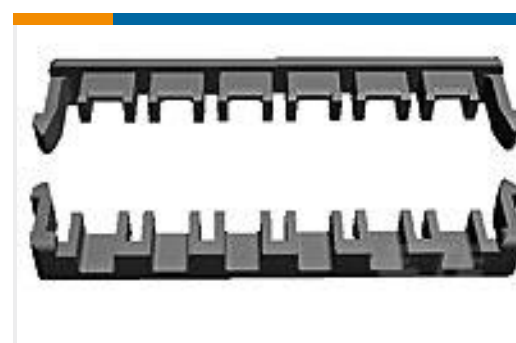
TE Part #42801-1
187 FASTON REC 20-16 AWG BR



TE Part #63609-1
250 FASTON REC 22-18 AWG BR



TE Part #1217378-1
RCPT 250 POS-LOCK 22-18 0126BR



TE Part #1376397-1
5MM POWER KEY D/L PLATE GREEN



TE Part #1-1376390-5
Glow Wire Power Key Plug

Documents

CAD Files

3D PDF

3D

Customer View Model

[ENG_CVM_CVM_521307-1_F.2d_dxf.zip](#)

English

Customer View Model

[ENG_CVM_CVM_521307-1_F.3d_igs.zip](#)

English

Customer View Model

[ENG_CVM_CVM_521307-1_F.3d_stp.zip](#)



English

By downloading the CAD file I accept and agree to the [Terms and Conditions](#) of use.

Datasheets & Catalog Pages

FASTON Housings

English

Product Environmental Compliance

MD_521307-1_060720181217_dmtec

English

MD_521307-1_060720181217_dmtec

English