

521282-2 ✓ ACTIVE

Ultra-Pod | Ultra-Pod 250

TE Internal #: 521282-2

Quick Disconnects, Receptacle, 18 – 14 AWG Wire Size, .82 – 2.08 mm² Wire Size, Mating Tab Width 6.35 mm [.25 in], Flag, Brass, Ultra-Pod 250

[View on TE.com >](#)



Terminals & Splices > Quick Disconnects > ULTRA POD: Flag, Receptacle Assembly, Tin Plated, .250 inch



Quick Disconnect Terminal Type: **Receptacle**

Wire Size: **.82 – 2.08 mm²**

Mating Tab Width: **6.35 mm [.25 in]**

Mating Tab Thickness: **.81 mm [.032 in]**

[All ULTRA POD: Flag, Receptacle Assembly, Tin Plated, .250 inch \(9\)](#)

Features

Product Type Features

Insertion Force	Normal
-----------------	--------

Configuration Features

Connection Capacity	Single
---------------------	--------

Compatible With Wire & Cable Type	Discrete Wire
-----------------------------------	---------------

Electrical Characteristics

Voltage Rating	600 V
----------------	-------

Body Features

Insulation Material	Nylon
---------------------	-------

Contact Features

Quick Disconnect Terminal Type	Receptacle
--------------------------------	------------

Mating Tab Width	6.35 mm [.25 in]
------------------	------------------

Mating Tab Thickness	.81 mm [.032 in]
----------------------	------------------

Terminal Orientation	Flag
----------------------	------



Contact Base Material	Brass
Terminal Plating Material	Tin
Crimp Type	Tab-Lok
Barrel Type	Open

Termination Features

Product Terminates To	Wire & Cable
-----------------------	--------------

Mechanical Attachment

Wire Insulation Support	With
-------------------------	------

Dimensions

Terminal Material Thickness	.41 mm[.016 in]
Product Length	22.99 mm[.905 in]
Compatible Insulation Diameter Range	2.79 – 4.06 mm[.11 – .16 in]
Wire Size	.82 – 2.08 mm ²

Usage Conditions

Insulation Option	Fully Insulated
Operating Temperature Range	-40 – 150 °C[-40 – 302 °F]

Industry Standards

Agency/Standard	CSA, UL
Approved Standards	UL E66717
UL Flammability Rating	UL 94V-0

Packaging Features

Packaging Quantity	1800
Packaging Method	Strip/Reel

Other

Barrel Color	Natural
--------------	---------

Product Compliance

[For compliance documentation, visit the product page on TE.com>](#)

EU RoHS Directive 2011/65/EU	Compliant
EU ELV Directive 2000/53/EC	Compliant
China RoHS 2 Directive MIIT Order No 32, 2016	No Restricted Materials Above Threshold
EU REACH Regulation (EC) No. 1907/2006	



Current ECHA Candidate List: JUNE 2023 (235)

Candidate List Declared Against: JUNE 2023 (235)

Does not contain REACH SVHC

Halogen Content

Low Halogen - Br, Cl, F, I < 900 ppm per homogenous material. Also BFR/CFR/PVC Free

Solder Process Capability

Not applicable for solder process capability

Product Compliance Disclaimer

This information is provided based on reasonable inquiry of our suppliers and represents our current actual knowledge based on the information they provided. This information is subject to change. The part numbers that TE has identified as EU RoHS compliant have a maximum concentration of 0.1% by weight in homogenous materials for lead, hexavalent chromium, mercury, PBB, PBDE, DBP, BBP, DEHP, DIBP, and 0.01% for cadmium, or qualify for an exemption to these limits as defined in the Annexes of Directive 2011/65/EU (RoHS2). Finished electrical and electronic equipment products will be CE marked as required by Directive 2011/65/EU. Components may not be CE marked. Additionally, the part numbers that TE has identified as EU ELV compliant have a maximum concentration of 0.1% by weight in homogenous materials for lead, hexavalent chromium, and mercury, and 0.01% for cadmium, or qualify for an exemption to these limits as defined in the Annexes of Directive 2000/53/EC (ELV). Regarding the REACH Regulation, the information TE provides on SVHC in articles for this part number is based on the latest European Chemicals Agency (ECHA) 'Guidance on requirements for substances in articles' posted at this URL: <https://echa.europa.eu/guidance-documents/guidance-on-reach>

Compatible Parts



TE Part # CAT-UL8-25021
ULTRA POD: Flag, Receptacle Assembly, Tin Plated, .250 inch



TE Part # 521411-1
ULTRA-POD 250 ASY REC 22-18 AWG BR



TE Part # 1969109-1
ULTRA-POD 250 ASSY REC 18-14 AWG BR



TE Part # 1852892-1
MACH,U-POD FLAG EAPR110F1800 AOM/CLS




TE Part # 1852892-3
MACH,U-POD FLAG EAPR110F1800 BENCH G



TE Part # 1852892-7
MACH,U-POD FLAG EAPR110F1800 KOMAX



TE Part # 521087-1
ULTRA-POD 250 ASSY REC 18-14 AWG NPST



TE Part # 1852892-2
MACH,U-POD FLAG EAPR110F1800 BENCH K

Also in the Series | Ultra-Pod 250

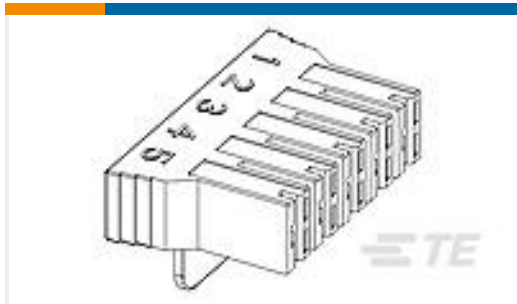


Insertion & Extraction Tools(2)



Quick Disconnects(43)

Customers Also Bought



TE Part #521780-1
250 HSG. PL MKIII REC. 7.11mm 5P
NAT



TE Part #52856-1
TERMINAL,PG SPD FLG 12-10 10
NAT



TE Part #350538-1
UMNL PIN 20-14 .0126 PTPBR



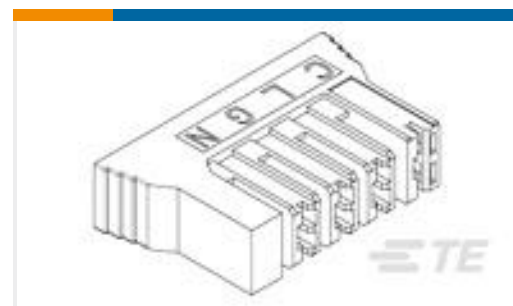
TE Part #42742-2
250 FASTON FLAG REC 18-12 AWG
TPBR



TE Part #52949-3
PG SPR SPD 22-16COMM 22-18MIL6



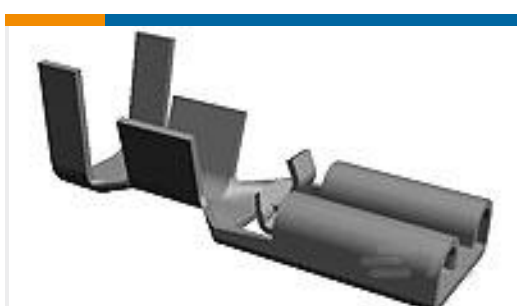
TE Part #105035-000
DWP-125-1/4-0-1.5IN



TE Part #521781-1
250 HSG. PL MKIII REC. 6.81mm 4P
NAT



TE Part #1217114-2
187 PL MKIII REC. 18-14AWG TPBR



TE Part #1217113-2
187 PL MKIII REC. 22-18AWG TPBR



TE Part #60650-1
250 FASTON FLAG REC 18-14 AWG
BR

Documents

Product Drawings

[ULTRA-POD 250 ASSY REC 18-14 AWG TPBR](#)

English

CAD Files

[3D PDF](#)

[3D](#)

[Customer View Model](#)

[ENG_CVM_CVM_521282-2_C.2d_dxf.zip](#)



English

Customer View Model

[ENG_CVM_CVM_521282-2_C.3d_igs.zip](#)

English

Customer View Model

[ENG_CVM_CVM_521282-2_C.3d_stp.zip](#)

English

By downloading the CAD file I accept and agree to the [Terms and Conditions](#) of use.

Datasheets & Catalog Pages

[Ultra-Fast and Ultra Fast Plus](#)

English

Product Specifications

[Application Specification](#)

English

Product Environmental Compliance

[MD_521282-2_101220171241_dmtec](#)

English

[MD_521282-2_101220171241_dmtec](#)

English